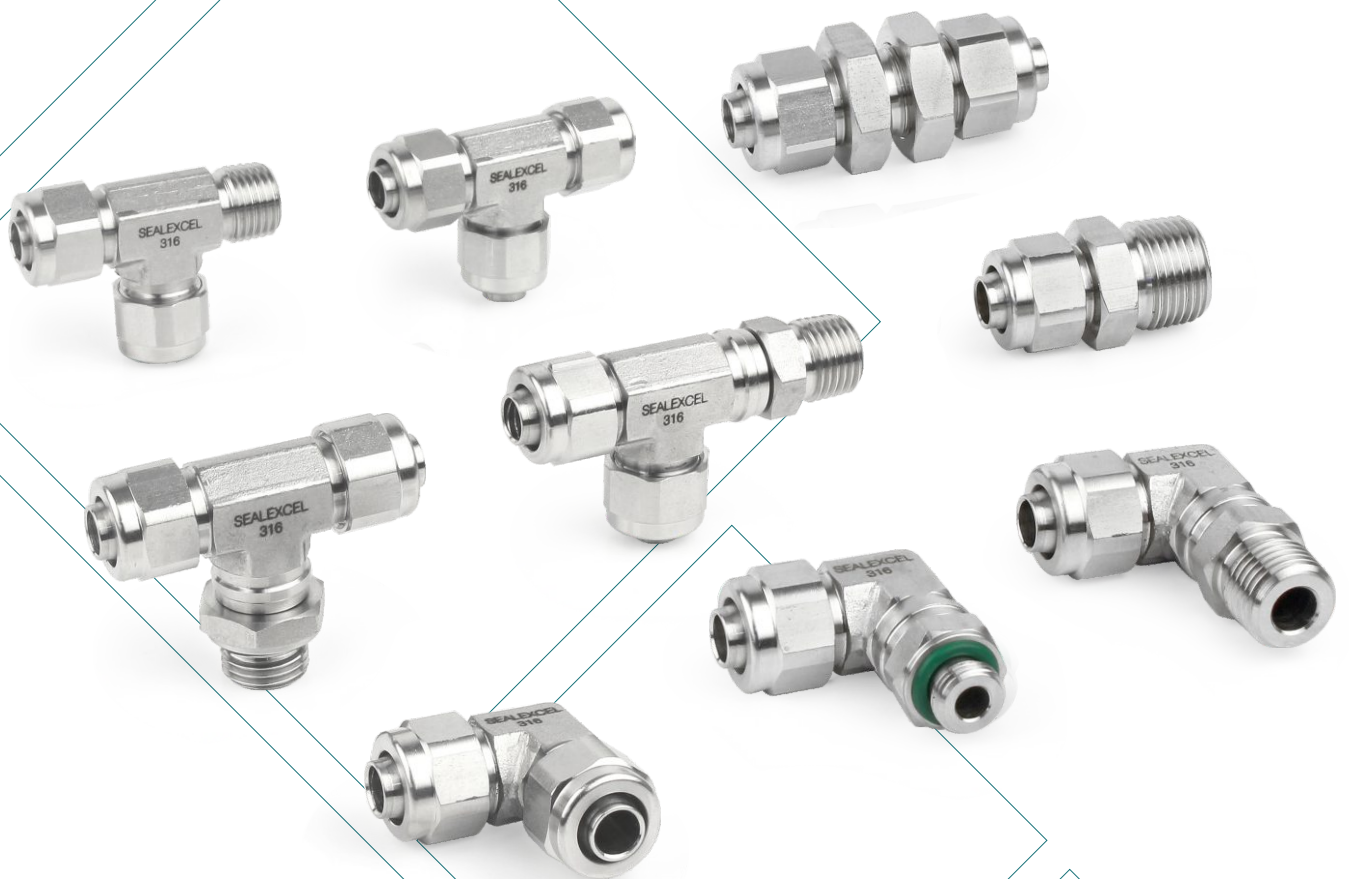


STAINLESS STEEL PUSH-ON-FITTINGS



SEALEXCEL® Stainless Steel Push-on-Fittings consist of Two precision components such as Body and Nut, These components have been carefully designed and manufactured to ensure consistent and reliable quality products.

These fittings are resistance to aggressive environments and corrosive fluids , which are generally used in Chemical, Food, Printing, Packaging, Marine, Pharmaceutical Industries etc.,

SEALEXCEL® Stainless Steel Push-on-Fittings are compatible with plastic tube such as PA6, PA11, PA12, polyethylene, polyurethane, PTFE etc.

APPLICATIONS

- Pneumatic Control
- Air Supply to pneumatic machine
- Automatic devices
- Laboratories (Medical, Pharmaceutical etc.)
- Instrumentations

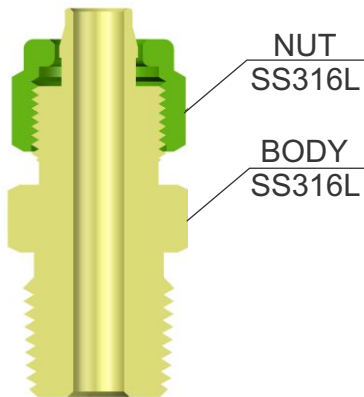
FEATURES

- Available in Material SS316L
- Reliable leak tight sealing system
- Full Flow without pressure drop
- Tube sealing and locking by tightening the nut
- Available with NPT, BSPT, BSPP, SAE, UNIVERSAL Straight thread pipe connections

MATERIAL OF CONSTRUCTIONS

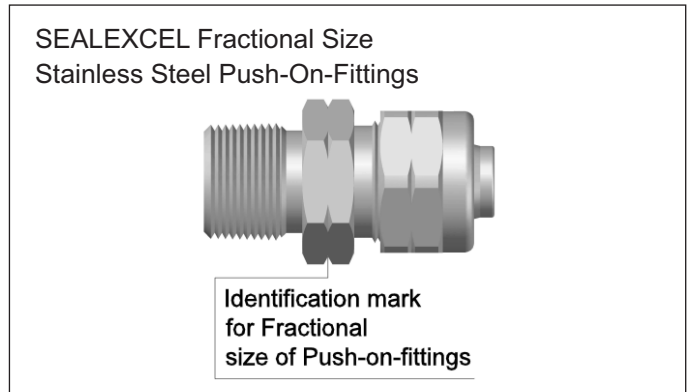
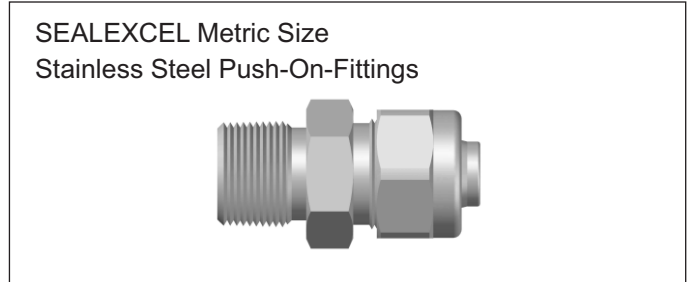
Straight Fittings - SS316L Bar stock : ASTM A 479

Shape Fittings - SS316L Forged Body : ASTM A 182



IDENTIFICATION

SEALEXCEL® Metric and Fractional size Stainless Steel Push-on-Fittings are similar in appearances. The significant difference is in the internal diameter of the Push-on-Fittings components, hence for easy identifications between metric and fractional sizes. SEALEXCEL provided 'V' Groove on Fractional sizes of Push-on-Fittings as shown below.



AVAILABLE SIZES :

Metric Tube	Fractional Tube
OD / ID	OD / ID
6/4mm	1/4" - 1/8"
8/5mm	1/4" - 0.170
8/6mm	5/16" - 3/16"
10/7mm	3/16" - 1/4"
10/8mm	1/2" - 3/8"
12/9mm	-
12/10mm	-

TOLERANCES OF OUTER DIAMETER OF TUBE :





Tube ODT (Metric)	6mm, 8mm, 10mm : ± 0.1
	12 mm : ± 0.15
Tube ODT (Fractional)	1/4", 5/16", 3/8" : ± 0.004"
	1/2" : ± 0.006"

OPERATING PARAMETERS :

Pressure : upto 290 PSI (20 bar)

Temperature : upto 160°C depends on tube material

INSTALLATION INSTRUCTIONS :

<ul style="list-style-type: none"> For Tube: PA6 PA11 PA12 Polyethylene Polyurethane PTFE 	
<ul style="list-style-type: none"> Ensure that the end of tube is cut square (90°) and free from burs and sharp edges 	
<ul style="list-style-type: none"> Insert the Nut on the Tube 	
<ul style="list-style-type: none"> Insert the tube by hand on the fitting nozzle and make sure that the tube rest on the nozzle base firmly. 	
<ul style="list-style-type: none"> Tighten the Nut by hand or if necessary by a spanner. 	

ORDERING INFORMATION :

The part Number describes complete assembly of SEALEXCEL Push-on Fittings.

Example: For Metric size : PNOPMC-6/4-4EO/ELV

PNOPMC	6/4	4	EO	EL	V
Type of Fitting	TUBE OD/ID	Pipe Thread	Type of Pipe Thread	Material	'O' Ring
Parallel Male Connector	6mm/4mm	1/4"	BSP	SS 316L	VITON®

Example: For Fractional size : PNOGMT-250/2-4N-EL

PNOGMT	250/2	4	N	EL
Type of Fitting	TUBE OD/ID	Pipe Thread	Type of Pipe Thread	Material
Taper Male Connector	1/4"-1/8"	1/4"	NPT	SS 316L

SIZE CODE DESCRIPTION :

Tube Size in Metric			Tube Size in Fractional			Pipe Thread size	
Size		Size	Size		Size	Code	
OD	ID	Code	OD	ID	Code		
6mm	4mm	6/4mm	1/4"	0.170"	250/17	1/8"	2
8mm	5mm	8/5mm	1/4"	1/8"	250/2	1/4"	4
8mm	6mm	8/6mm	5/16"	3/16"	312/3	3/8"	6
10mm	7mm	10/7mm	3/8"	1/4"	375/4	1/2"	8
10mm	8mm	10/8mm	1/2"	3/8"	500/6		
12mm	9mm	12/9mm					
12mm	10mm	12/10mm					

THREAD CODE DESCRIPTION

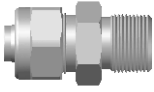
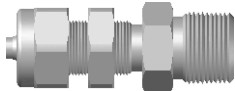
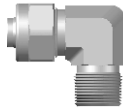
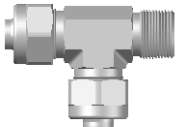
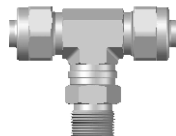
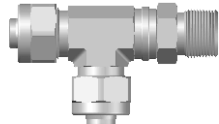
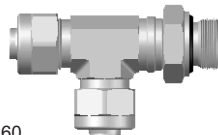
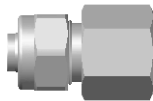

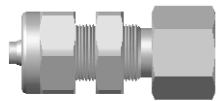
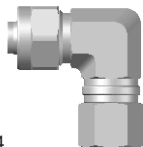
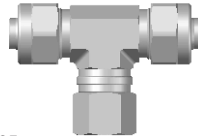
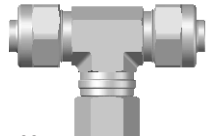
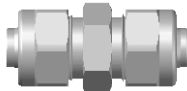
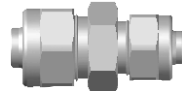
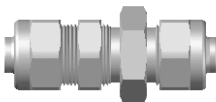
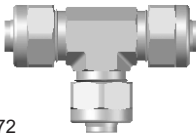

Thread Type	Code
NPT Thread (M/F)	N
ISO Tapered Thread - BSPT (M/F)	RT
ISO Parallel Thread - BSP (M) with Elastomeric 'O' Ring	EO
ISO Parallel Thread - BSP (F)	RG
Metric Thread with Elastomeric 'O' Ring	MEO
Universal Parallel thread with 'O' Ring	UNI

MATERIAL CODE DESCRIPTION

Description of Material	Code
SS316L	EL
'O' Ring Viton®	V
'O' Ring EPDM	P

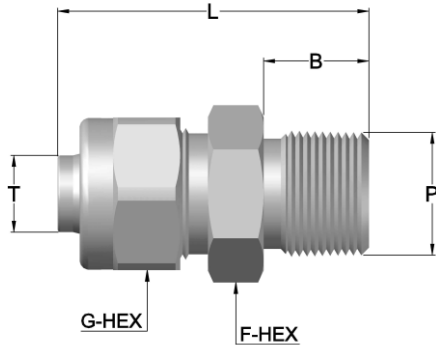
Viton® - is the Registered Trademark of Dupont.

INDEX

<p>PNO-Taper Male Connector Metric Tube to Male BSPT Fractional Tube to Male NPT</p>  <p>Page 49</p>	<p>PNO-Taper Male Bulkhead Connector Metric Tube to Male BSPT Fractional Tube to Male NPT</p>  <p>Page 50</p>	<p>PNO-Taper Male Elbow Metric Tube to Male BSPT Fractional Tube to Male NPT</p>  <p>Page 51</p>	<p>PNO-Taper Male Branch Tee Metric Tube to Male BSPT Fractional Tube to Male NPT</p>  <p>Page 52</p>
<p>PNO-Taper Male Run Tee Metric Tube to Male BSPT Fractional Tube to Male NPT</p>  <p>Page 53</p>	<p>PNO-Taper Male Swivel Elbow Metric Tube to Male BSPT Fractional Tube to Male NPT</p>  <p>Page 54</p>	<p>PNO-Taper Male Swivel Branch Tee Metric Tube to Male BSPT Fractional Tube to Male NPT</p>  <p>Page 55</p>	<p>PNO-Taper Male Swivel Run Tee Metric Tube to Male BSPT Fractional Tube to Male NPT</p>  <p>Page 56</p>
<p>PNO-Parallel Male Connector Metric Tube to Male BSP (Parallel) Fractional Tube to Male UNI (Parallel)</p>  <p>Page 57</p>	<p>PNO-Parallel Male Swivel Elbow Metric Tube to Male BSP (Parallel) Fractional Tube to Male UNI (Parallel)</p>  <p>Page 58</p>	<p>PNO-Parallel Male Swivel Branch Tee Metric Tube to Male BSP (Parallel) Fractional Tube to Male UNI (Parallel)</p>  <p>Page 59</p>	<p>PNO-Parallel Male Swivel Run Tee Metric Tube to Male BSP (Parallel) Fractional Tube to Male UNI (Parallel)</p>  <p>Page 60</p>
<p>PNO-Taper Female Connector Metric Tube to Female BSPT Fractional Tube to Female NPT</p>  <p>Page 61</p>	<p>PNO-Parallel Female Connector Metric Tube to Female BSP (Parallel)</p>  <p>Page 62</p>	<p>PNO-Parallel Female Bulkhead Connector Metric Tube to Female BSP (Parallel)</p>  <p>Page 62</p>	<p>PNO-Taper Female Bulkhead Connector Metric Tube to Female BSPT Fractional Tube to Female NPT</p>  <p>Page 63</p>
<p>PNO-Taper Female Swivel Elbow Metric Tube to Female BSPT Fractional Tube to Female NPT</p>  <p>Page 64</p>	<p>PNO-Parallel Female Swivel Elbow Metric Tube to Female BSP (Parallel)</p>  <p>Page 65</p>	<p>PNO-Parallel Female Swivel Branch Tee Metric Tube to Female BSP (Parallel)</p>  <p>Page 65</p>	<p>PNO-Taper Female Swivel Branch Tee Metric Tube to Female BSPT Fractional Tube to Female NPT</p>  <p>Page 66</p>
<p>PNO-Taper Female Swivel Run Tee Metric Tube to Female BSPT Fractional Tube to Female NPT</p>  <p>Page 67</p>	<p>PNO-Parallel Female Swivel Run Tee Metric Tube to Female BSP (Parallel)</p>  <p>Page 68</p>	<p>PNO-Union Metric Tube to Tube Fractional Tube to Tube</p>  <p>Page 68</p>	<p>PNO-Reducing Union Metric Tube to Tube Fractional Tube to Tube</p>  <p>Page 69</p>
<p>PNO-Bulkhead Union Metric Tube to Tube Fractional Tube to Tube</p>  <p>Page 70</p>	<p>PNO-Union Elbow Metric Tube to Tube Fractional Tube to Tube</p>  <p>Page 71</p>	<p>PNO-Union Tee Metric Tube to Tube Fractional Tube to Tube</p>  <p>Page 72</p>	<p>PNO-Nut Metric Tube Fractional Tube</p>  <p>Page 72</p>

PNO - TAPER MALE CONNECTOR (PNOCMT)

Metric Tube to Male BSPT pipe thread

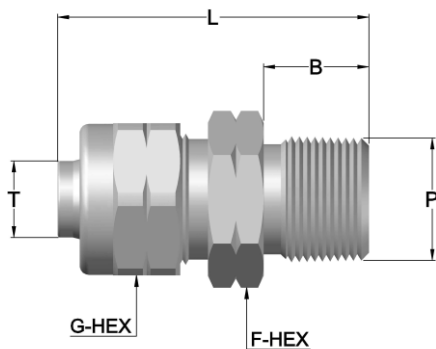


TUBE OD/ID	PIPE THREAD	DIMENSIONS IN MILLIMETERS				SEALEXCEL PART NO.
		T	P	B	F-HEX	
6/4 mm	1/8" BSPT	7.5	11.0	13.0	26.5	PNOCMT-6/4-2RT
6/4 mm	1/4" BSPT	11.0	14.0	13.0	30.2	PNOCMT-6/4-4RT
8/5 mm	1/8" BSPT	7.5	14.0	14.0	28.0	PNOCMT-8/5-2RT
8/5 mm	1/4" BSPT	11.0	14.0	14.0	31.5	PNOCMT-8/5-4RT
8/5 mm	3/8" BSPT	11.5	17.0	14.0	32.4	PNOCMT-8/5-6RT
8/6 mm	1/8" BSPT	7.5	14.0	14.0	28.0	PNOCMT-8/6-2RT
8/6 mm	1/4" BSPT	11.0	14.0	14.0	31.5	PNOCMT-8/6-4RT
8/6 mm	3/8" BSPT	11.5	17.0	14.0	32.4	PNOCMT-8/6-6RT
10/7 mm	1/8" BSPT	7.5	16.0	16.0	28.4	PNOCMT-10/7-2RT
10/7 mm	1/4" BSPT	11.0	16.0	16.0	32.0	PNOCMT-10/7-4RT
10/7 mm	3/8" BSPT	11.5	17.0	16.0	32.5	PNOCMT-10/7-6RT
10/8 mm	1/8" BSPT	7.5	16.0	16.0	28.4	PNOCMT-10/8-2RT
10/8 mm	1/4" BSPT	11.0	16.0	16.0	32.0	PNOCMT-10/8-4RT
10/8 mm	3/8" BSPT	11.5	17.0	16.0	32.5	PNOCMT-10/8-6RT
12/9 mm	1/4" BSPT	11.0	17.0	19.0	33.7	PNOCMT-12/9-4RT
12/9 mm	3/8" BSPT	11.5	17.0	19.0	34.2	PNOCMT-12/9-6RT
12/9 mm	1/2" BSPT	15.0	22.0	19.0	38.0	PNOCMT-12/9-8RT
12/10 mm	1/4" BSPT	11.0	17.0	19.0	33.7	PNOCMT-12/10-4RT
12/10 mm	3/8" BSPT	11.5	17.0	19.0	34.2	PNOCMT-12/10-6RT
12/10 mm	1/2" BSPT	15.0	22.0	19.0	38.0	PNOCMT-12/10-8RT

Metric Tube to Male NPT pipe thread are available on request

PNO - TAPER MALE CONNECTOR (PNOCMT)

Fractional Tube to Male NPT pipe thread



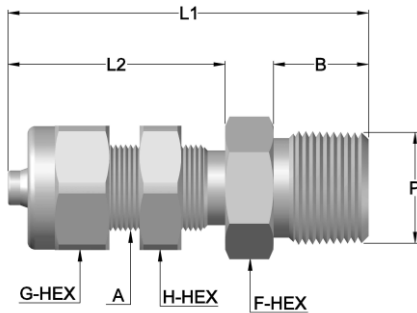
TUBE OD/ID	PIPE THREAD	DIMENSIONS IN INCHES				SEALEXCEL PART NO.
		T	P	B	F-HEX	
1/4-1/8	1/8 NPT	0.33	7/16	1/2	1.08	PNOCMT-250/2-2N
1/4-1/8	1/4 NPT	0.47	9/16	1/2	1.23	PNOCMT-250/2-4N
1/4-0.17	1/8 NPT	0.33	7/16	1/2	1.08	PNOCMT-250/17-2N
1/4-0.17	1/4 NPT	0.47	9/16	1/2	1.23	PNOCMT-250/17-4N
5/16-3/16	1/8 NPT	0.33	9/16	9/16	1.14	PNOCMT-312/3-2N
5/16-3/16	1/4 NPT	0.47	9/16	9/16	1.28	PNOCMT-312/3-4N
5/16-3/16	3/8 NPT	0.47	11/16	9/16	1.30	PNOCMT-312/3-6N
3/8-1/4	1/8 NPT	0.33	5/8	5/8	1.16	PNOCMT-375/4-2N
3/8-1/4	1/4 NPT	0.47	5/8	5/8	1.30	PNOCMT-375/4-4N
3/8-1/4	3/8 NPT	0.47	11/16	5/8	1.30	PNOCMT-375/4-6N
1/2-3/8	1/4 NPT	0.47	11/16	3/4	1.37	PNOCMT-500/6-4N
1/2-3/8	3/8 NPT	0.47	11/16	3/4	1.37	PNOCMT-500/6-6N
1/2-3/8	1/2 NPT	0.63	7/8	3/4	1.54	PNOCMT-500/6-8N

Fractional Tube to Male BSPT pipe thread are available on request

Dimensions for reference only, subject to change without notice

PNO - TAPER MALE BULKHEAD CONNECTOR (PNOTMBC)

Metric Tube to Male BSPT pipe thread

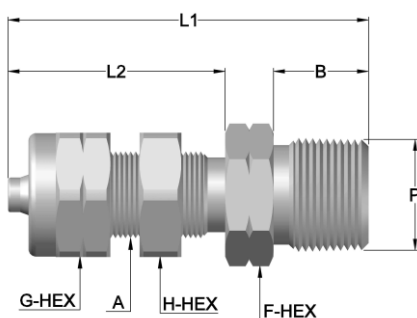


TUBE OD/ID	PIPE THREAD	DIMENSIONS IN MILLIMETERS							SEALEXCEL PART NO.
		A	B	F-HEX	G-HEX	H-HEX	L1	L2	
6/4 mm	1/8" BSPT	M10 x 1	7.5	14.0	13.0	14.0	37.5	25.0	PNOTMBC-6/4-2RT
6/4 mm	1/4" BSPT	M10 x 1	11.0	17.0	13.0	17.0	41.5	25.0	PNOTMBC-6/4-4RT
8/5 mm	1/8" BSPT	M12 x 1	7.5	16.0	14.0	16.0	38.5	26.0	PNOTMBC-8/5-2RT
8/5 mm	1/4" BSPT	M12 x 1	11.0	17.0	14.0	17.0	42.5	26.0	PNOTMBC-8/5-4RT
8/5 mm	3/8" BSPT	M12 x 1	11.5	20.6	14.0	20.6	43.3	26.0	PNOTMBC-8/5-6RT
8/6 mm	1/8" BSPT	M12 x 1	7.5	16.0	14.0	16.0	38.5	26.0	PNOTMBC-8/6-2RT
8/6 mm	1/4" BSPT	M12 x 1	11.0	17.0	14.0	17.0	42.5	26.0	PNOTMBC-8/6-4RT
8/6 mm	3/8" BSPT	M12 x 1	11.5	20.6	14.0	20.6	43.3	26.0	PNOTMBC-8/6-6RT
10/7 mm	1/4" BSPT	M14 x 1	11.0	19.0	16.0	19.0	42.5	26.0	PNOTMBC-10/7-4RT
10/7 mm	3/8" BSPT	M14 x 1	11.5	20.6	16.0	20.6	43.3	26.0	PNOTMBC-10/7-6RT
10/8 mm	1/4" BSPT	M14 x 1	11.0	19.0	16.0	19.0	42.5	26.0	PNOTMBC-10/8-4RT
10/8 mm	3/8" BSPT	M14 x 1	11.5	20.6	16.0	20.6	43.3	26.0	PNOTMBC-10/8-6RT
12/9 mm	1/4" BSPT	M16 x 1	11.0	20.6	19.0	20.6	44.8	28.0	PNOTMBC-12/9-4RT
12/9 mm	3/8" BSPT	M16 x 1	11.5	20.6	19.0	20.6	45.3	28.0	PNOTMBC-12/9-6RT
12/10 mm	1/4" BSPT	M16 x 1	11.0	20.6	19.0	20.6	44.8	28.0	PNOTMBC-12/10-4RT
12/10 mm	3/8" BSPT	M16 x 1	11.5	20.6	19.0	20.6	45.3	28.0	PNOTMBC-12/10-6RT

Metric Tube to Male NPT pipe thread are available on request

PNO - TAPER MALE BULKHEAD CONNECTOR (PNOTMBC)

Fractional Tube to Male NPT pipe thread



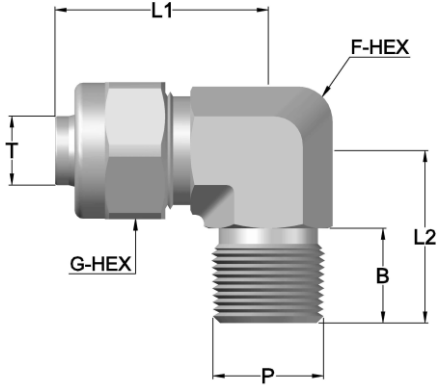
TUBE OD/ID	PIPE THREAD	DIMENSIONS IN MILLIMETERS/INCHES							SEALEXCEL PART NO.
		A	B	F-HEX	G-HEX	H-HEX	L1	L2	
1/4-1/8	1/8 NPT	M10 x 1	0.33	9/16	1/2	9/16	1.52	1.02	PNOTMBC-250/2-2N
1/4-1/8	1/4 NPT	M10 x 1	0.47	11/16	1/2	11/16	1.67	1.00	PNOTMBC-250/2-4N
1/4-0.17	1/8 NPT	M10 x 1	0.33	9/16	1/2	9/16	1.52	1.02	PNOTMBC-250/17-2N
1/4-0.17	1/4 NPT	M10 x 1	0.47	11/16	1/2	11/16	1.67	1.00	PNOTMBC-250/17-4N
5/16-3/16	1/8 NPT	M12 x 1	0.33	5/8	9/16	5/8	1.52	1.06	PNOTMBC-312/3-2N
5/16-3/16	1/4 NPT	M12 x 1	0.47	11/16	9/16	11/16	1.71	1.04	PNOTMBC-312/3-4N
5/16-3/16	3/8 NPT	M12 x 1	0.47	13/16	9/16	13/16	1.72	1.02	PNOTMBC-312/3-6N
3/8-1/4	1/4 NPT	M14 x 1	0.47	3/4	5/8	3/4	1.71	1.04	PNOTMBC-375/4-4N
3/8-1/4	3/8 NPT	M14 x 1	0.47	13/16	5/8	13/16	1.72	1.02	PNOTMBC-375/4-6N
1/2-3/8	1/4 NPT	M16 x 1	0.47	13/16	3/4	13/16	1.80	1.12	PNOTMBC-500/6-4N
1/2-3/8	3/8 NPT	M16 x 1	0.47	13/16	3/4	13/16	1.80	1.10	PNOTMBC-500/6-6N

Fractional Tube to Male BSPT pipe thread are available on request

Dimensions for reference only, subject to change without notice

PNO - TAPER MALE ELBOW (PNOTEM)

Metric Tube to Male BSPT pipe thread

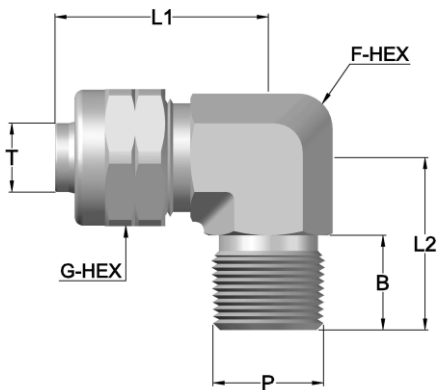


TUBE OD/ID	PIPE THREAD	DIMENSIONS IN MILLIMETER					SEALEXCEL PART NO.
		B	F-HEX	G-HEX	L1	L2	
6/4 mm	1/8" BSPT	7.5	10.0	13.0	21.5	15.5	PNOTEM-6/4-2RT
6/4 mm	1/4" BSPT	11.0	12.0	13.0	22.2	19.5	PNOTEM-6/4-4RT
8/5 mm	1/8" BSPT	7.5	12.0	14.0	23.7	16.0	PNOTEM-8/5-2RT
8/5 mm	1/4" BSPT	11.0	12.0	14.0	23.7	19.5	PNOTEM-8/5-4RT
8/5 mm	3/8" BSPT	11.5	16.0	14.0	26.0	20.0	PNOTEM-8/5-6RT
8/6 mm	1/8" BSPT	7.5	12.0	14.0	23.7	16.0	PNOTEM-8/6-2RT
8/6 mm	1/4" BSPT	11.0	12.0	14.0	23.7	19.5	PNOTEM-8/6-4RT
8/6 mm	3/8" BSPT	11.5	16.0	14.0	26.0	20.0	PNOTEM-8/6-6RT
10/7 mm	1/4" BSPT	11.0	14.0	16.0	24.8	20.5	PNOTEM-10/7-4RT
10/7 mm	3/8" BSPT	11.5	16.0	16.0	26.0	22.0	PNOTEM-10/7-6RT
10/8 mm	1/4" BSPT	11.0	14.0	16.0	24.8	20.5	PNOTEM-10/8-4RT
10/8 mm	3/8" BSPT	11.5	16.0	16.0	26.0	22.0	PNOTEM-10/8-6RT
12/9mm	1/4" BSPT	11.0	16.0	19.0	27.6	21.5	PNOTEM-12/9-4RT
12/9 mm	3/8" BSPT	11.5	16.0	19.0	27.6	22.0	PNOTEM-12/9-6RT
12/9 mm	1/2" BSPT	15.0	22.0	19.0	31.5	29.5	PNOTEM-12/9-8RT
12/10 mm	1/4" BSPT	11.0	16.0	19.0	27.6	21.5	PNOTEM-12/10-4RT
12/10 mm	3/8" BSPT	11.5	16.0	19.0	27.6	22.0	PNOTEM-12/10-6RT
12/10 mm	1/2" BSPT	15.0	22.0	19.0	31.5	29.5	PNOTEM-12/10-8RT

Metric Tube to Male NPT pipe thread are available on request

PNO - TAPER MALE ELBOW (PNOTEM)

Fractional Tube to Male NPT pipe thread



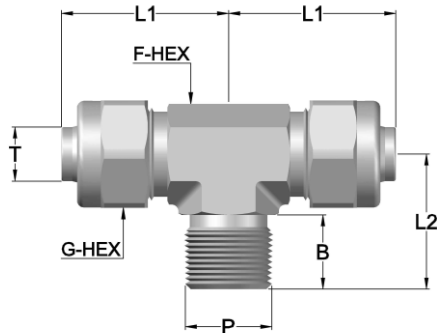
TUBE OD/ID	PIPE THREAD	DIMENSIONS IN INCHES					SEALEXCEL PART NO.
		B	F-HEX	G-HEX	L1	L2	
1/4-1/8	1/8 NPT	0.33	0.39	1/2	0.89	0.65	PNOTEM-250/2-2N
1/4-1/8	1/4 NPT	0.47	0.47	1/2	0.91	0.81	PNOTEM-250/2-4N
1/4-0.17	1/8 NPT	0.33	0.39	1/2	0.89	0.65	PNOTEM-250/17-2N
1/4-0.17	1/4 NPT	0.47	0.47	1/2	0.91	0.81	PNOTEM-250/17-4N
5/16-3/16	1/8 NPT	0.33	0.47	9/16	0.97	0.67	PNOTEM-312/3-2N
5/16-3/16	1/4 NPT	0.47	0.47	9/16	0.97	0.81	PNOTEM-312/3-4N
5/16-3/16	3/8 NPT	0.47	0.63	9/16	1.06	0.81	PNOTEM-312/3-6N
3/8-1/4	1/4 NPT	0.47	0.55	5/8	1.02	0.85	PNOTEM-375/4-4N
3/8-1/4	3/8 NPT	0.47	0.63	5/8	1.04	0.89	PNOTEM-375/4-6N
1/2-3/8	1/4 NPT	0.47	0.63	3/4	1.13	0.89	PNOTEM-500/6-4N
1/2-3/8	3/8 NPT	0.47	0.63	3/4	1.11	0.89	PNOTEM-500/6-6N
1/2-3/8	1/2 NPT	0.63	0.87	3/4	1.28	1.20	PNOTEM-500/6-8N

Fractional Tube to Male BSPT pipe thread are available on request

Dimensions for reference only, subject to change without notice

PNO - TAPER MALE BRANCH TEE (PNOTMBT)

Metric Tube to Male BSPT pipe thread

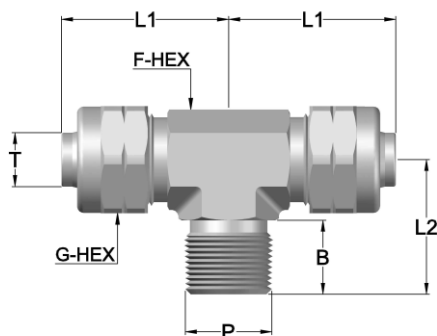


TUBE OD/ID	PIPE THREAD	DIMENSIONS IN MILLIMETERS					SEALEXCEL PART NO.
		T	P	B	F-HEX	G-HEX	
6/4 mm	1/8" BSPT	7.5	10.0	13.0	21.5	15.5	PNOTMBT-6/4-2RT
6/4 mm	1/4" BSPT	11.0	12.0	13.0	22.2	19.5	PNOTMBT-6/4-4RT
8/5 mm	1/8" BSPT	7.5	12.0	14.0	23.7	16.0	PNOTMBT-8/5-2RT
8/5 mm	1/4" BSPT	11.0	12.0	14.0	23.7	19.5	PNOTMBT-8/5-4RT
8/5 mm	3/8" BSPT	11.5	16.0	14.0	26.0	20.0	PNOTMBT-8/5-6RT
8/6 mm	1/8" BSPT	7.5	12.0	14.0	23.7	16.0	PNOTMBT-8/6-2RT
8/6 mm	1/4" BSPT	11.0	12.0	14.0	23.7	19.5	PNOTMBT-8/6-4RT
8/6 mm	3/8" BSPT	11.5	16.0	14.0	26.0	20.0	PNOTMBT-8/6-6RT
10/7 mm	1/4" BSPT	11.0	14.0	16.0	24.8	20.5	PNOTMBT-10/7-4RT
10/7 mm	3/8" BSPT	11.5	16.0	16.0	26.0	22.0	PNOTMBT-10/7-6RT
10/8 mm	1/4" BSPT	11.0	14.0	16.0	24.8	20.5	PNOTMBT-10/8-4RT
10/8 mm	3/8" BSPT	11.5	16.0	16.0	26.0	22.0	PNOTMBT-10/8-6RT
12/9 mm	1/4" BSPT	11.0	16.0	19.0	27.6	21.5	PNOTMBT-12/9-4RT
12/9 mm	3/8" BSPT	11.5	16.0	19.0	27.6	22.0	PNOTMBT-12/9-6RT
12/9 mm	1/2" BSPT	15.0	22.0	19.0	31.5	29.5	PNOTMBT-12/9-8RT
12/10 mm	1/4" BSPT	11.0	16.0	19.0	27.6	21.5	PNOTMBT-12/10-4RT
12/10 mm	3/8" BSPT	11.5	16.0	19.0	27.6	22.0	PNOTMBT-12/10-6RT
12/10 mm	1/2" BSPT	15.0	22.0	19.0	31.5	29.5	PNOTMBT-12/10-8RT

Metric Tube to Male NPT pipe thread are available on request

PNO - TAPER MALE BRANCH TEE (PNOTMBT)

Fractional Tube to Male NPT pipe threads



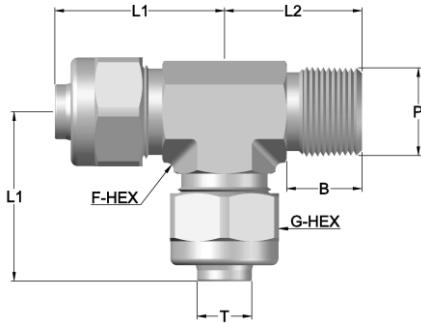
TUBE OD/ID	PIPE THREAD	DIMENSIONS IN INCHES					SEALEXCEL PART NO.
		T	P	B	F-HEX	G-HEX	
1/4-1/8	1/8 NPT	0.33	0.39	1/2	0.85	0.65	PNOTMBT-250/2-2N
1/4-1/8	1/4 NPT	0.47	0.47	1/2	0.87	0.81	PNOTMBT-250/2-4N
1/4-0.17	1/8 NPT	0.33	0.39	1/2	0.85	0.65	PNOTMBT-250/17-2N
1/4-0.17	1/4 NPT	0.47	0.47	1/2	0.87	0.81	PNOTMBT-250/17-4N
5/16-3/16	1/8 NPT	0.33	0.47	9/16	0.93	0.67	PNOTMBT-312/3-2N
5/16-3/16	1/4 NPT	0.47	0.47	9/16	0.93	0.81	PNOTMBT-312/3-4N
5/16-3/16	3/8 NPT	0.47	0.63	9/16	1.02	0.81	PNOTMBT-312/3-6N
3/8-1/4	1/4 NPT	0.47	0.55	5/8	0.98	0.85	PNOTMBT-375/4-4N
3/8-1/4	3/8 NPT	0.47	0.63	5/8	1.02	0.89	PNOTMBT-375/4-6N
1/2-3/8	1/4 NPT	0.47	0.63	3/4	1.09	0.89	PNOTMBT-500/6-4N
1/2-3/8	3/8 NPT	0.47	0.63	3/4	1.09	0.89	PNOTMBT-500/6-6N
1/2-3/8	1/2 NPT	0.63	0.87	3/4	1.24	1.20	PNOTMBT-500/6-8N

Fractional Tube to Male BSPT pipe threads are available on request

Dimensions for reference only, subject to change without notice

PNO - TAPER MALE RUN TEE (PNOTMRT)

Metric Tube to Male BSPT pipe thread

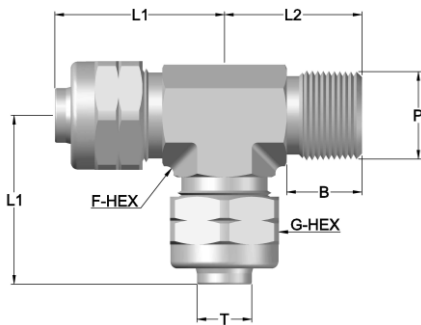


TUBE OD/ID	PIPE THREAD	DIMENSIONS IN MILLIMETERS					SEALEXCEL PART NO.
		B	F-HEX	G-HEX	L1	L2	
6/4 mm	1/8" BSPT	7.5	10.0	13.0	21.5	15.5	PNOTMRT-6/4-2RT
6/4 mm	1/4" BSPT	11.0	12.0	13.0	22.3	19.5	PNOTMRT-6/4-4RT
8/5 mm	1/8" BSPT	7.5	12.0	14.0	23.7	16.0	PNOTMRT-8/5-2RT
8/5 mm	1/4" BSPT	11.0	12.0	14.0	23.7	19.5	PNOTMRT-8/5-4RT
8/5 mm	3/8" BSPT	11.5	16.0	14.0	26.0	20.0	PNOTMRT-8/5-6RT
8/6 mm	1/8" BSPT	7.5	12.0	14.0	23.7	16.0	PNOTMRT-8/6-2RT
8/6 mm	1/4" BSPT	11.0	12.0	14.0	23.7	19.5	PNOTMRT-8/6-4RT
8/6 mm	3/8" BSPT	11.5	16.0	14.0	26.0	20.0	PNOTMRT-8/6-6RT
10/7 mm	1/4" BSPT	11.0	14.0	16.0	24.8	20.5	PNOTMRT-10/7-4RT
10/7 mm	3/8" BSPT	11.5	16.0	16.0	26.0	22.0	PNOTMRT-10/7-6RT
10/8 mm	1/4" BSPT	11.0	14.0	16.0	24.8	20.5	PNOTMRT-10/8-4RT
10/8 mm	3/8" BSPT	11.5	16.0	16.0	26.0	22.0	PNOTMRT-10/8-6RT
12/9 mm	1/4" BSPT	11.0	16.0	19.0	27.6	21.5	PNOTMRT-12/9-4RT
12/9 mm	3/8" BSPT	11.5	16.0	19.0	27.6	22.0	PNOTMRT-12/9-6RT
12/9 mm	1/2" BSPT	15.0	22.0	19.0	31.5	29.5	PNOTMRT-12/9-8RT
12/10 mm	1/4" BSPT	11.0	16.0	19.0	27.6	21.5	PNOTMRT-12/10-4RT
12/10 mm	3/8" BSPT	11.5	16.0	19.0	27.6	22.0	PNOTMRT-12/10-6RT
12/10 mm	1/2" BSPT	15.0	22.0	19.0	31.5	29.5	PNOTMRT-12/10-8RT

Metric Tube to Male NPT pipe thread are available on request

PNO - TAPER MALE RUN TEE (PNOTMRT)

Fractional Tube to Male NPT pipe thread

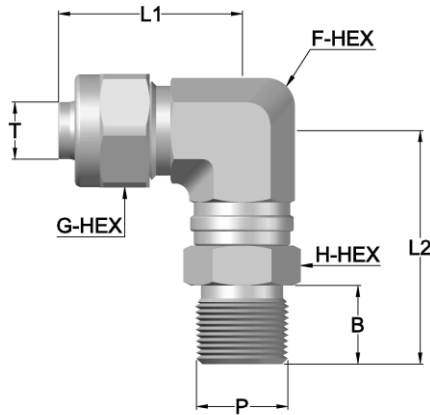


TUBE OD/ID	PIPE THREAD	DIMENSIONS IN INCHES					SEALEXCEL PART NO.
		B	F-HEX	G-HEX	L1	L2	
1/4-1/8	1/8 NPT	0.33	0.39	1/2	0.85	0.65	PNOTMRT-250/2-2N
1/4-1/8	1/4 NPT	0.47	0.47	1/2	0.87	0.81	PNOTMRT-250/2-4N
1/4-0.17	1/8 NPT	0.33	0.39	1/2	0.85	0.65	PNOTMRT-250/17-2N
1/4-0.17	1/4 NPT	0.47	0.47	1/2	0.87	0.81	PNOTMRT-250/17-4N
5/16-3/16	1/8 NPT	0.33	0.47	9/16	0.93	0.67	PNOTMRT-312/3-2N
5/16-3/16	1/4 NPT	0.47	0.47	9/16	0.93	0.81	PNOTMRT-312/3-4N
5/16-3/16	3/8 NPT	0.47	0.63	9/16	1.02	0.81	PNOTMRT-312/3-6N
3/8-1/4	1/4 NPT	0.47	0.55	5/8	0.98	0.85	PNOTMRT-375/4-4N
3/8-1/4	3/8 NPT	0.47	0.63	5/8	1.02	0.89	PNOTMRT-375/4-6N
1/2-3/8	1/4 NPT	0.47	0.63	3/4	1.09	0.89	PNOTMRT-500/6-4N
1/2-3/8	3/8 NPT	0.47	0.63	3/4	1.09	0.89	PNOTMRT-500/6-6N
1/2-3/8	1/2 NPT	0.63	0.87	3/4	1.24	1.20	PNOTMRT-500/6-8N

Fractional Tube to Male BSPT pipe thread are available on request

Dimensions for reference only, subject to change without notice

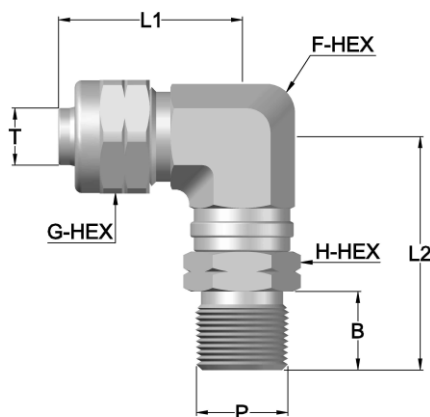
PNO - TAPER MALE SWIVEL ELBOW (PNOTMSE) Metric Tube to Male BSPT pipe thread



TUBE OD/ID	PIPE THREAD	DIMENSIONS IN MILLIMETERS						SEALEXCEL PART NO.
		B	F-HEX	G-HEX	H-HEX	L1	L2	
6/4 mm	1/8" BSPT	7.5	10.0	13.0	11.0	21.5	25.6	PNOTMSE-6/4-2RT
6/4 mm	1/4" BSPT	11.0	10.0	13.0	14.0	21.5	29.3	PNOTMSE-6/4-4RT
8/5 mm	1/8" BSPT	7.5	12.0	14.0	13.0	23.7	26.8	PNOTMSE-8/5-2RT
8/5 mm	1/4" BSPT	11.0	12.0	14.0	14.0	23.7	30.5	PNOTMSE-8/5-4RT
8/5 mm	3/8" BSPT	11.5	12.0	14.0	17.0	23.7	31.3	PNOTMSE-8/5-6RT
8/6 mm	1/8" BSPT	7.5	12.0	14.0	13.0	23.7	26.8	PNOTMSE-8/6-2RT
8/6 mm	1/4" BSPT	11.0	12.0	14.0	14.0	23.7	30.5	PNOTMSE-8/6-4RT
8/6 mm	3/8" BSPT	11.5	12.0	14.0	17.0	23.7	31.3	PNOTMSE-8/6-6RT
10/7 mm	1/4" BSPT	11.0	14.0	16.0	14.0	24.8	31.5	PNOTMSE-10/7-4RT
10/7 mm	3/8" BSPT	11.5	14.0	16.0	17.0	24.8	32.3	PNOTMSE-10/7-6RT
10/8 mm	1/4" BSPT	11.0	14.0	16.0	14.0	24.8	31.5	PNOTMSE-10/8-4RT
10/8 mm	3/8" BSPT	11.5	14.0	16.0	17.0	24.8	32.3	PNOTMSE-10/8-6RT
12/9 mm	1/4" BSPT	11.0	16.0	19.0	16.0	27.6	33.0	PNOTMSE-12/9-4RT
12/9 mm	3/8" BSPT	11.5	16.0	19.0	17.0	27.6	33.7	PNOTMSE-12/9-6RT
12/9 mm	1/2" BSPT	15.0	16.0	19.0	22.0	27.6	37.5	PNOTMSE-12/9-8RT
12/10 mm	1/4" BSPT	11.0	16.0	19.0	16.0	27.6	33.0	PNOTMSE-12/10-4RT
12/10 mm	3/8" BSPT	11.5	16.0	19.0	17.0	27.6	33.7	PNOTMSE-12/10-6RT
12/10 mm	1/2" BSPT	15.0	16.0	19.0	22.0	27.6	37.5	PNOTMSE-12/10-8RT

Metric Tube to Male NPT pipe thread are available on request

PNO - TAPER MALE SWIVEL ELBOW (PNOTMSE) Fractional Tube to Male NPT pipe thread

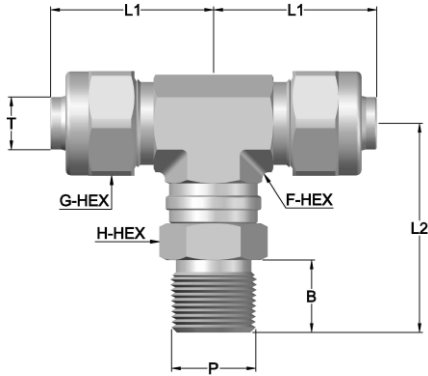


TUBE OD/ID	PIPE THREAD	DIMENSIONS IN INCHES						SEALEXCEL PART NO.
		B	F-HEX	G-HEX	H-HEX	L1	L2	
1/4-1/8	1/8 NPT	0.33	0.39	1/2	7/16	0.85	1.05	PNOTMSE-250/2-2N
1/4-1/8	1/4 NPT	0.47	0.39	1/2	9/16	0.85	1.19	PNOTMSE-250/2-4N
1/4-0.17	1/8 NPT	0.33	0.39	1/2	7/16	0.85	1.05	PNOTMSE-250/17-2N
1/4-0.17	1/4 NPT	0.47	0.39	1/2	9/16	0.85	1.19	PNOTMSE-250/17-4N
5/16-3/16	1/8 NPT	0.33	0.47	9/16	1/2	0.93	1.09	PNOTMSE-312/3-2N
5/16-3/16	1/4 NPT	0.47	0.47	9/16	9/16	0.93	1.24	PNOTMSE-312/3-4N
5/16-3/16	3/8 NPT	0.47	0.47	9/16	11/16	0.93	1.25	PNOTMSE-312/3-6N
3/8-1/4	1/4 NPT	0.47	0.55	5/8	9/16	0.98	1.28	PNOTMSE-375/4-4N
3/8-1/4	3/8 NPT	0.47	0.55	5/8	11/16	0.98	1.29	PNOTMSE-375/4-6N
1/2-3/8	1/4 NPT	0.47	0.63	3/4	5/8	1.09	1.34	PNOTMSE-500/6-4N
1/2-3/8	3/8 NPT	0.47	0.63	3/4	11/16	1.09	1.35	PNOTMSE-500/6-6N
1/2-3/8	1/2 NPT	0.63	0.63	3/4	7/8	1.09	1.52	PNOTMSE-500/6-8N

Fractional Tube to Male BSPT pipe thread are available on request

Dimensions for reference only, subject to change without notice

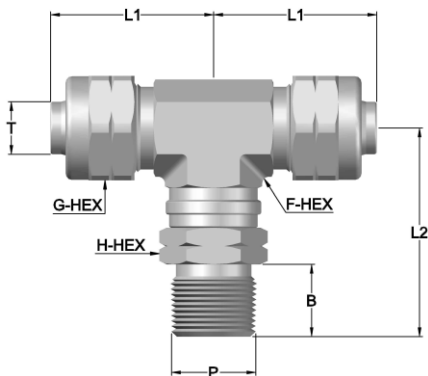
PNO - TAPER MALE SWIVEL BRANCH TEE (PNOTMSBT) Metric Tube to Male BSPT pipe thread



TUBE OD/ID	PIPE THREAD	DIMENSIONS IN MILLIMETERS						SEALEXCEL PART NO.
		B	F-HEX	G-HEX	H-HEX	L1	L2	
6/4 mm	1/8" BSPT	7.5	10.0	13.0	11.0	21.5	25.6	PNOTMSBT-6/4-2RT
6/4 mm	1/4" BSPT	11.0	10.0	13.0	14.0	21.5	29.3	PNOTMSBT-6/4-4RT
8/5 mm	1/8" BSPT	7.5	12.0	14.0	13.0	23.7	26.8	PNOTMSBT-8/5-2RT
8/5 mm	1/4" BSPT	11.0	12.0	14.0	14.0	23.7	30.5	PNOTMSBT-8/5-4RT
8/5 mm	3/8" BSPT	11.5	12.0	14.0	17.0	23.7	31.3	PNOTMSBT-8/5-6RT
8/6 mm	1/8" BSPT	7.5	12.0	14.0	13.0	23.7	26.8	PNOTMSBT-8/6-2RT
8/6 mm	1/4" BSPT	11.0	12.0	14.0	14.0	23.7	30.5	PNOTMSBT-8/6-4RT
8/6 mm	3/8" BSPT	11.5	12.0	14.0	17.0	23.7	31.3	PNOTMSBT-8/6-6RT
10/7 mm	1/4" BSPT	11.0	14.0	16.0	14.0	24.8	31.5	PNOTMSBT-10/7-4RT
10/7 mm	3/8" BSPT	11.5	14.0	16.0	17.0	24.8	32.3	PNOTMSBT-10/7-6RT
10/8 mm	1/4" BSPT	11.0	14.0	16.0	14.0	24.8	31.5	PNOTMSBT-10/8-4RT
10/8 mm	3/8" BSPT	11.5	14.0	16.0	17.0	24.8	32.3	PNOTMSBT-10/8-6RT
12/9 mm	1/4" BSPT	11.0	16.0	19.0	16.0	27.6	33.0	PNOTMSBT-12/9-4RT
12/9 mm	3/8" BSPT	11.5	16.0	19.0	17.0	27.6	33.7	PNOTMSBT-12/9-6RT
12/9 mm	1/2" BSPT	15.0	16.0	19.0	22.0	27.6	37.5	PNOTMSBT-12/9-8RT
12/10 mm	1/4" BSPT	11.0	16.0	19.0	16.0	27.6	33.0	PNOTMSBT-12/10-4RT
12/10 mm	3/8" BSPT	11.5	16.0	19.0	17.0	27.6	33.7	PNOTMSBT-12/10-6RT
12/10 mm	1/2" BSPT	15.0	16.0	19.0	22.0	27.6	37.5	PNOTMSBT-12/10-8RT

Metric Tube to Male NPT pipe thread are available on request

PNO - TAPER MALE SWIVEL BRANCH TEE (PNOTMSBT) Fractional Tube to Male NPT pipe thread

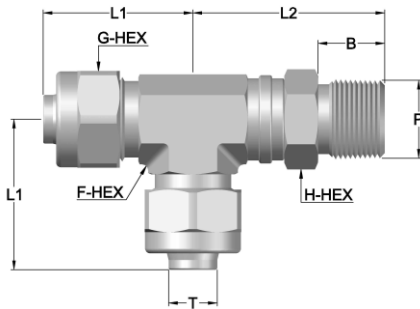


TUBE OD/ID	PIPE THREAD	DIMENSIONS IN INCHES						SEALEXCEL PART NO.
		B	F-HEX	G-HEX	H-HEX	L1	L2	
1/4-1/8	1/8 NPT	0.33	0.39	1/2	7/16	0.85	1.05	PNOTMSBT-250/2-2N
1/4-1/8	1/4 NPT	0.47	0.39	1/2	9/16	0.85	1.19	PNOTMSBT-250/2-4N
1/4-0.17	1/8 NPT	0.33	0.39	1/2	7/16	0.85	1.05	PNOTMSBT-250/17-2N
1/4-0.17	1/4 NPT	0.47	0.39	1/2	9/16	0.85	1.19	PNOTMSBT-250/17-4N
5/16-3/16	1/8 NPT	0.33	0.47	9/16	1/2	0.93	1.09	PNOTMSBT-312/3-2N
5/16-3/16	1/4 NPT	0.47	0.47	9/16	9/16	0.93	1.24	PNOTMSBT-312/3-4N
5/16-3/16	3/8 NPT	0.47	0.47	9/16	11/16	0.93	1.25	PNOTMSBT-312/3-6N
3/8-1/4	1/4 NPT	0.47	0.55	5/8	9/16	0.98	1.28	PNOTMSBT-375/4-4N
3/8-1/4	3/8 NPT	0.47	0.55	5/8	11/16	0.98	1.29	PNOTMSBT-375/4-6N
1/2-3/8	1/4 NPT	0.47	0.63	3/4	5/8	1.09	1.34	PNOTMSBT-500/6-4N
1/2-3/8	3/8 NPT	0.47	0.63	3/4	11/16	1.09	1.35	PNOTMSBT-500/6-6N
1/2-3/8	1/2 NPT	0.63	0.63	3/4	7/8	1.09	1.52	PNOTMSBT-500/6-8N

Fractional Tube to Male BSPT pipe thread are available on request

Dimensions for reference only, subject to change without notice

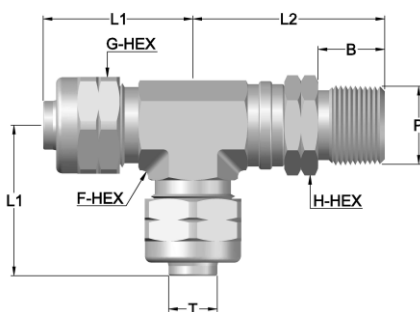
PNO - TAPER MALE SWIVEL RUN TEE (PNOTMSRT) Metric Tube to Male BSPT pipe thread



TUBE OD/ID	PIPE THREAD	DIMENSIONS IN MILLIMETERS						SEALEXCEL PART NO.
		B	F-HEX	G-HEX	H-HEX	L1	L2	
6/4 mm	1/8" BSPT	7.5	10.0	13.0	11.0	21.5	25.6	PNOTMSRT-6/4-2RT
6/4 mm	1/4" BSPT	11.0	10.0	13.0	14.0	21.5	29.3	PNOTMSRT-6/4-4RT
8/5 mm	1/8" BSPT	7.5	12.0	14.0	13.0	23.7	26.8	PNOTMSRT-8/5-2RT
8/5 mm	1/4" BSPT	11.0	12.0	14.0	14.0	23.7	30.5	PNOTMSRT-8/5-4RT
8/5 mm	3/8" BSPT	11.5	12.0	14.0	17.0	23.7	31.3	PNOTMSRT-8/5-6RT
8/6 mm	1/8" BSPT	7.5	12.0	14.0	13.0	23.7	26.8	PNOTMSRT-8/6-2RT
8/6 mm	1/4" BSPT	11.0	12.0	14.0	14.0	23.7	30.5	PNOTMSRT-8/6-4RT
8/6 mm	3/8" BSPT	11.5	12.0	14.0	17.0	23.7	31.3	PNOTMSRT-8/6-6RT
10/7 mm	1/4" BSPT	11.0	14.0	16.0	14.0	24.8	31.5	PNOTMSRT-10/7-4RT
10/7 mm	3/8" BSPT	11.5	14.0	16.0	18.0	24.8	32.3	PNOTMSRT-10/7-6RT
10/8 mm	1/4" BSPT	11.0	14.0	16.0	14.0	24.8	31.5	PNOTMSRT-10/8-4RT
10/8 mm	3/8" BSPT	11.5	14.0	16.0	18.0	24.8	32.3	PNOTMSRT-10/8-6RT
12/9 mm	1/4" BSPT	11.0	16.0	19.0	16.0	27.6	33.0	PNOTMSRT-12/9-4RT
12/9 mm	3/8" BSPT	11.5	16.0	19.0	17.0	27.6	33.7	PNOTMSRT-12/9-6RT
12/9 mm	1/2" BSPT	15.0	16.0	19.0	22.0	27.6	37.5	PNOTMSRT-12/9-8RT
12/10 mm	1/4" BSPT	11.0	16.0	19.0	16.0	27.6	33.0	PNOTMSRT-12/10-4RT
12/10 mm	3/8" BSPT	11.5	16.0	19.0	17.0	27.6	33.7	PNOTMSRT-12/10-6RT
12/10 mm	1/2" BSPT	15.0	16.0	19.0	22.0	27.6	37.5	PNOTMSRT-12/10-8RT

Metric Tube to Male NPT pipe thread are available on request

PNO - TAPER MALE SWIVEL RUN TEE (PNOTMSRT) Fractional Tube to Male NPT pipe thread



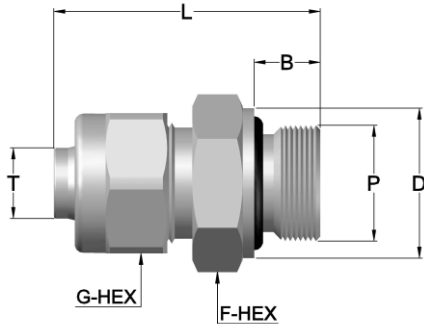
TUBE OD/ID	PIPE THREAD	DIMENSIONS IN INCHES						SEALEXCEL PART NO.
		B	F-HEX	G-HEX	H-HEX	L1	L2	
1/4-1/8	1/8 NPT	0.33	0.39	1/2	7/16	0.85	1.05	PNOTMSRT-250/2-2N
1/4-1/8	1/4 NPT	0.47	0.39	1/2	9/16	0.85	1.19	PNOTMSRT-250/2-4N
1/4-0.17	1/8 NPT	0.33	0.39	1/2	7/16	0.85	1.05	PNOTMSRT-250/17-2N
1/4-0.17	1/4 NPT	0.47	0.39	1/2	9/16	0.85	1.19	PNOTMSRT-250/17-4N
5/16-3/16	1/8 NPT	0.33	0.47	9/16	1/2	0.93	1.09	PNOTMSRT-312/3-2N
5/16-3/16	1/4 NPT	0.47	0.47	9/16	9/16	0.93	1.24	PNOTMSRT-312/3-4N
5/16-3/16	3/8 NPT	0.47	0.47	9/16	11/16	0.93	1.25	PNOTMSRT-312/3-6N
3/8-1/4	1/4 NPT	0.47	0.55	5/8	9/16	0.98	1.28	PNOTMSRT-375/4-4N
3/8-1/4	3/8 NPT	0.47	0.55	5/8	11/16	0.98	1.29	PNOTMSRT-375/4-6N
1/2-3/8	1/4 NPT	0.47	0.63	3/4	5/8	1.09	1.34	PNOTMSRT-500/6-4N
1/2-3/8	3/8 NPT	0.47	0.63	3/4	11/16	1.09	1.35	PNOTMSRT-500/6-6N
1/2-3/8	1/2 NPT	0.63	0.63	3/4	7/8	1.09	1.52	PNOTMSRT-500/6-8N

Fractional Tube to Male BSPT pipe thread are available on request

Dimensions for reference only, subject to change without notice

PNO - PARALLEL MALE CONNECTOR (PNOPMC)

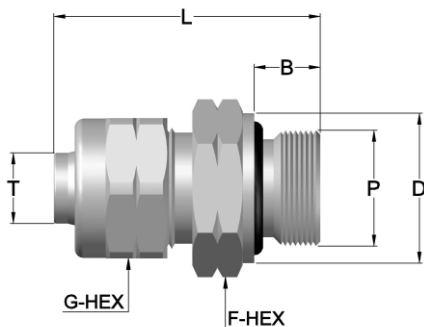
Metric Tube to Male BSP pipe thread



TUBE OD/ID	PIPE THREAD	DIMENSIONS IN MILLIMETERS					SEALEXCEL PART NO.
		T	P	B	D	F-HEX	
6/4 mm	1/8" BSP	5.8	13.8	14.0	13.0	26.0	PNOPMC-6/4-2EO
6/4 mm	1/4" BSP	7.5	16.8	17.0	13.0	28.0	PNOPMC-6/4-4EO
8/5 mm	1/8" BSP	5.8	13.8	14.0	14.0	27.7	PNOPMC-8/5-2EO
8/5 mm	1/4" BSP	7.5	16.8	17.0	14.0	29.7	PNOPMC-8/5-4EO
8/5 mm	3/8" BSP	7.5	20.3	20.6	14.0	30.0	PNOPMC-8/5-6EO
8/6 mm	1/8" BSP	5.8	13.8	14.0	14.0	27.7	PNOPMC-8/6-2EO
8/6 mm	1/4" BSP	7.5	16.8	17.0	14.0	29.7	PNOPMC-8/6-4EO
8/6 mm	3/8" BSP	7.5	20.3	20.6	14.0	30.0	PNOPMC-8/6-6EO
10/7 mm	1/8" BSP	5.8	13.8	16.0	16.0	27.6	PNOPMC-10/7-2EO
10/7 mm	1/4" BSP	7.5	16.8	17.0	16.0	29.8	PNOPMC-10/7-4EO
10/7 mm	3/8" BSP	7.5	20.3	20.6	16.0	30.0	PNOPMC-10/7-6EO
10/8 mm	1/8" BSP	5.8	13.8	16.0	16.0	27.6	PNOPMC-10/8-2EO
10/8 mm	1/4" BSP	7.5	16.8	17.0	16.0	29.8	PNOPMC-10/8-4EO
10/8 mm	3/8" BSP	7.5	20.3	20.6	16.0	30.0	PNOPMC-10/8-6EO
12/9 mm	1/4" BSP	7.5	16.8	17.0	19.0	31.6	PNOPMC-12/9-4EO
12/9 mm	3/8" BSP	7.5	20.3	20.6	19.0	31.6	PNOPMC-12/9-6EO
12/9 mm	1/2" BSP	10	26.6	27.0	19.0	34.2	PNOPMC-12/9-8EO
12/10 mm	1/4" BSP	7.5	16.8	17.0	19.0	31.6	PNOPMC-12/10-4EO
12/10 mm	3/8" BSP	7.5	20.3	20.6	19.0	31.6	PNOPMC-12/10-6EO
12/10 mm	1/2" BSP	10	26.6	27.0	19.0	34.2	PNOPMC-12/10-8EO

PNO - PARALLEL MALE CONNECTOR (PNOPMC)

Fractional Tube to Male Universal pipe thread

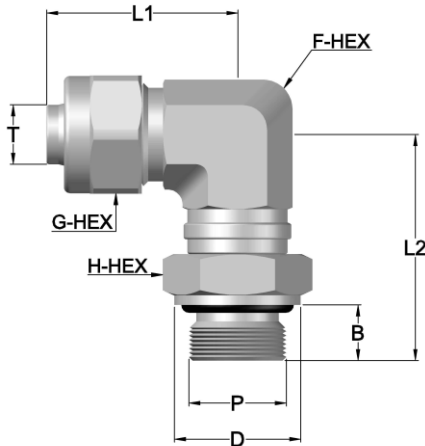


TUBE OD/ID	PIPE THREAD	DIMENSIONS IN INCHES					SEALEXCEL PART NO.
		T	P	B	D	F-HEX	
1/4-1/8	1/8 BSP	0.23	0.54	9/16	1/2	1.02	PNOPMC-250/2-2EO
1/4-1/8	1/4 BSP	0.30	0.66	11/16	1/2	1.10	PNOPMC-250/2-4EO
1/4-0.17	1/8 BSP	0.23	0.54	9/16	1/2	1.02	PNOPMC-250/17-2EO
1/4-0.17	1/4 BSP	0.30	0.66	11/16	1/2	1.10	PNOPMC-250/17-4EO
5/16-3/16	1/8 BSP	0.23	0.54	9/16	9/16	1.09	PNOPMC-312/3-2EO
5/16-3/16	1/4 BSP	0.30	0.66	11/16	9/16	1.17	PNOPMC-312/3-4EO
5/16-3/16	3/8 BSP	0.30	0.80	13/16	9/16	1.18	PNOPMC-312/3-6EO
3/8-1/4	1/8 BSP	0.23	0.54	5/8	5/8	1.09	PNOPMC-375/4-2EO
3/8-1/4	1/4 BSP	0.30	0.66	11/16	5/8	1.17	PNOPMC-375/4-4EO
3/8-1/4	3/8 BSP	0.30	0.80	13/16	5/8	1.18	PNOPMC-375/4-6EO
1/2-3/8	1/4 BSP	0.30	0.66	11/16	3/4	1.24	PNOPMC-500/6-4EO
1/2-3/8	3/8 BSP	0.30	0.80	13/16	3/4	1.24	PNOPMC-500/6-6EO
1/2-3/8	1/2 BSP	0.39	1.05	1-1/16	3/4	1.35	PNOPMC-500/6-8EO

Fractional Tube to Male BSP (parallel) pipe thread are available on request

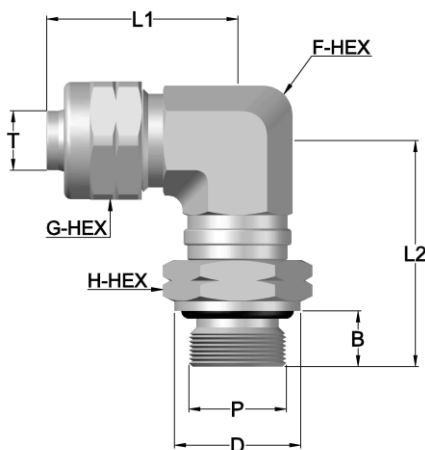
Dimensions for reference only, subject to change without notice

PNO - PARALLEL MALE SWIVEL ELBOW (PNOPMSE) Metric Tube to Male BSP (Parallel) pipe thread



TUBE OD/ID	PIPE THREAD	DIMENSIONS IN MILLIMETERS							SEALEXCEL PART NO.
		B	D	F-HEX	G-HEX	H-HEX	L1	L2	
6/4 mm	1/8" BSP	5.8	13.8	10.0	13.0	14.0	21.5	24.9	PNOPMSE-6/4-2EO
6/4 mm	1/4" BSP	7.5	16.8	10.0	13.0	17.0	21.5	26.8	PNOPMSE-6/4-4EO
8/5 mm	1/8" BSP	5.8	13.8	12.0	14.0	14.0	23.7	26.0	PNOPMSE-8/5-2EO
8/5 mm	1/4" BSP	7.5	16.8	12.0	14.0	17.0	23.7	28.0	PNOPMSE-8/5-4EO
8/5 mm	3/8" BSP	7.5	20.3	12.0	14.0	20.6	23.7	28.5	PNOPMSE-8/5-6EO
8/6 mm	1/8" BSP	5.8	13.8	12.0	14.0	14.0	23.7	26.0	PNOPMSE-8/6-2EO
8/6 mm	1/4" BSP	7.5	16.8	12.0	14.0	17.0	23.7	28.0	PNOPMSE-8/6-4EO
8/6 mm	3/8" BSP	7.5	20.3	12.0	14.0	20.6	23.7	28.5	PNOPMSE-8/6-6EO
10/7 mm	1/8" BSP	5.8	13.8	14.0	16.0	14.0	24.8	27.0	PNOPMSE-10/7-2EO
10/7 mm	1/4" BSP	7.5	16.8	14.0	16.0	17.0	24.8	29.0	PNOPMSE-10/7-4EO
10/7 mm	3/8" BSP	7.5	20.3	14.0	16.0	20.6	24.8	29.5	PNOPMSE-10/7-6EO
10/8 mm	1/8" BSP	5.8	13.8	14.0	16.0	14.0	24.8	27.0	PNOPMSE-10/8-2EO
10/8 mm	1/4" BSP	7.5	16.8	14.0	16.0	17.0	24.8	29.0	PNOPMSE-10/8-4EO
10/8 mm	3/8" BSP	7.5	20.3	14.0	16.0	20.6	24.8	29.5	PNOPMSE-10/8-6EO
12/9 mm	1/4" BSP	7.5	16.8	16.0	19.0	17.0	27.6	30.3	PNOPMSE-12/9-4EO
12/9 mm	3/8" BSP	7.5	20.3	16.0	19.0	20.6	27.6	30.7	PNOPMSE-12/9-6EO
12/9 mm	1/2" BSP	10.0	23.3	16.0	19.0	22.0	27.6	33.8	PNOPMSE-12/9-8EO
12/10 mm	1/4" BSP	7.5	16.8	16.0	19.0	17.0	27.6	30.3	PNOPMSE-12/10-4EO
12/10 mm	3/8" BSP	7.5	20.3	16.0	19.0	20.6	27.6	30.7	PNOPMSE-12/10-6EO
12/10 mm	1/2" BSP	10.0	23.3	16.0	19.0	22.0	27.6	33.8	PNOPMSE-12/10-8EO

PNO - PARALLEL MALE SWIVEL ELBOW (PNOPMSE) Fractional Tube to Male Universal pipe thread



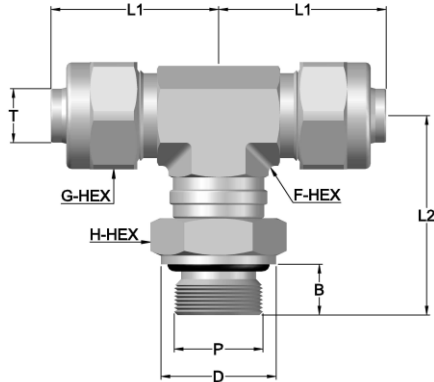
TUBE OD/ID	PIPE THREAD	DIMENSIONS IN INCHES							SEALEXCEL PART NO.
		B	D	F-HEX	G-HEX	H-HEX	L1	L2	
1/4-1/8	1/8 UNI	0.23	0.54	0.39	1/2	9/16	0.85	0.98	PNOPMSE-250/2-2UNI
1/4-1/8	1/4 UNI	0.30	0.66	0.39	1/2	11/16	0.85	1.06	PNOPMSE-250/2-4UNI
1/4-0.17	1/8 UNI	0.23	0.54	0.39	1/2	9/16	0.85	0.98	PNOPMSE-250/17-2UNI
1/4-0.17	1/4 UNI	0.30	0.66	0.39	1/2	11/16	0.85	1.06	PNOPMSE-250/17-4UNI
5/16-3/16	1/8 UNI	0.23	0.54	0.47	9/16	9/16	0.93	1.02	PNOPMSE-312/3-2UNI
5/16-3/16	1/4 UNI	0.30	0.66	0.47	9/16	11/16	0.93	1.10	PNOPMSE-312/3-4UNI
5/16-3/16	3/8 UNI	0.30	0.80	0.47	9/16	13/16	0.93	1.12	PNOPMSE-312/3-6UNI
3/8-1/4	1/8 UNI	0.23	0.54	0.55	5/8	9/16	0.98	1.06	PNOPMSE-375/4-2UNI
3/8-1/4	1/4 UNI	0.30	0.66	0.55	5/8	11/16	0.98	1.14	PNOPMSE-375/4-4UNI
3/8-1/4	3/8 UNI	0.30	0.80	0.55	5/8	13/16	0.98	1.16	PNOPMSE-375/4-6UNI
1/2-3/8	1/4 UNI	0.30	0.66	0.63	3/4	11/16	1.09	1.19	PNOPMSE-500/6-4UNI
1/2-3/8	3/8 UNI	0.30	0.80	0.63	3/4	13/16	1.09	1.21	PNOPMSE-500/6-6UNI
1/2-3/8	1/2 UNI	0.30	0.92	0.63	3/4	7/8	1.09	1.33	PNOPMSE-500/6-8UNI

Fractional Tube to Male BSP (parallel) pipe thread are available on request

Dimensions for reference only, subject to change without notice

PNO - PARALLEL MALE SWIVEL BRANCH TEE (PNOPMSBT)

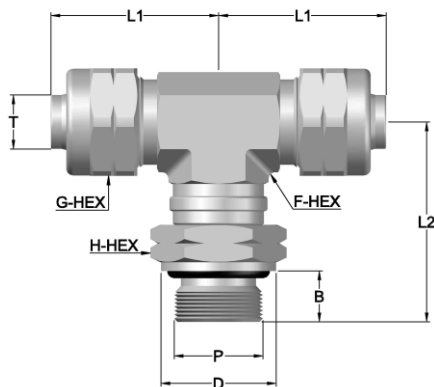
Metric Tube to Male BSP (Parallel) pipe thread



TUBE OD/ID	PIPE THREAD	DIMENSIONS IN MILLIMETERS							SEALEXCEL PART NO.
		B	D	F-HEX	G-HEX	H-HEX	L1	L2	
6/4 mm	1/8" BSP	5.8	13.8	10.0	13.0	14.0	21.5	24.9	PNOPMSBT-6/4-2EO
6/4 mm	1/4" BSP	7.5	16.8	10.0	13.0	17.0	21.5	26.8	PNOPMSBT-6/4-4EO
8/5 mm	1/8" BSP	5.8	13.8	12.0	14.0	14.0	23.7	26.0	PNOPMSBT-8/5-2EO
8/5 mm	1/4" BSP	7.5	16.8	12.0	14.0	17.0	23.7	28.0	PNOPMSBT-8/5-4EO
8/5 mm	3/8" BSP	7.5	20.3	12.0	14.0	20.6	23.7	28.5	PNOPMSBT-8/5-6EO
8/6 mm	1/8" BSP	5.8	13.8	12.0	14.0	14.0	23.7	26.0	PNOPMSBT-8/6-2EO
8/6 mm	1/4" BSP	7.5	16.8	12.0	14.0	17.0	23.7	28.0	PNOPMSBT-8/6-4EO
8/6 mm	3/8" BSP	7.5	20.3	12.0	14.0	20.6	23.7	28.5	PNOPMSBT-8/6-6EO
10/7 mm	1/8" BSP	7.5	13.8	14.0	16.0	14.0	24.8	27.0	PNOPMSBT-10/7-2EO
10/7 mm	1/4" BSP	7.5	16.8	14.0	16.0	17.0	24.8	29.0	PNOPMSBT-10/7-4EO
10/7 mm	3/8" BSP	7.5	20.3	14.0	16.0	20.6	24.8	29.5	PNOPMSBT-10/7-6EO
10/8 mm	1/8" BSP	7.5	13.8	14.0	16.0	14.0	24.8	27.0	PNOPMSBT-10/8-2EO
10/8 mm	1/4" BSP	7.5	16.8	14.0	16.0	17.0	24.8	29.0	PNOPMSBT-10/8-4EO
10/8 mm	3/8" BSP	7.5	20.3	14.0	16.0	20.6	24.8	29.5	PNOPMSBT-10/8-6EO
12/9 mm	1/4" BSP	7.5	16.8	16.0	19.0	17.0	27.6	30.3	PNOPMSBT-12/9-4EO
12/9 mm	3/8" BSP	7.5	20.3	16.0	19.0	20.6	27.6	30.7	PNOPMSBT-12/9-6EO
12/9 mm	1/2" BSP	10.0	23.3	16.0	19.0	22.0	27.6	33.8	PNOPMSBT-12/9-8EO
12/10 mm	1/4" BSP	7.5	16.8	16.0	19.0	17.0	27.6	30.3	PNOPMSBT-12/10-4EO
12/10 mm	3/8" BSP	7.5	20.3	16.0	19.0	20.6	27.6	30.7	PNOPMSBT-12/10-6EO
12/10 mm	1/2" BSP	10.0	26.6	16.0	19.0	22.0	27.6	33.8	PNOPMSBT-12/10-8EO

PNO - PARALLEL MALE SWIVEL BRANCH TEE (PNOPMSBT)

Fractional Tube to Male Universal pipe thread

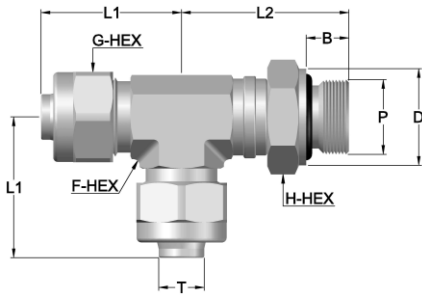


TUBE OD/ID	PIPE THREAD	DIMENSIONS IN INCHES							SEALEXCEL PART NO.
		B	D	F-HEX	G-HEX	H-HEX	L1	L2	
1/4-1/8	1/8 UNI	0.23	0.54	0.39	1/2	9/16	0.85	0.98	PNOPMSBT-250/2-2UNI
1/4-1/8	1/4 UNI	0.30	0.66	0.39	1/2	11/16	0.85	1.06	PNOPMSBT-250/2-4UNI
1/4-0.17	1/8 UNI	0.23	0.54	0.39	1/2	9/16	0.85	0.98	PNOPMSBT-250/17-2UNI
1/4-0.17	1/4 UNI	0.30	0.66	0.39	1/2	11/16	0.85	1.06	PNOPMSBT-250/17-4UNI
5/16-3/16	1/8 UNI	0.23	0.54	0.47	9/16	9/16	0.93	1.02	PNOPMSBT-312/3-2UNI
5/16-3/16	1/4 UNI	0.30	0.66	0.47	9/16	11/16	0.93	1.10	PNOPMSBT-312/3-4UNI
5/16-3/16	3/8 UNI	0.30	0.80	0.47	9/16	13/16	0.93	1.12	PNOPMSBT-312/3-6UNI
3/8-1/4	1/8 UNI	0.23	0.54	0.55	5/8	9/16	0.98	1.06	PNOPMSBT-375/4-2UNI
3/8-1/4	1/4 UNI	0.30	0.66	0.55	5/8	11/16	0.98	1.14	PNOPMSBT-375/4-4UNI
3/8-1/4	3/8 UNI	0.30	0.80	0.55	5/8	13/16	0.98	1.16	PNOPMSBT-375/4-6UNI
1/2-3/8	1/4 UNI	0.30	0.66	0.63	3/4	11/16	1.09	1.19	PNOPMSBT-500/6-4UNI
1/2-3/8	3/8 UNI	0.30	0.80	0.63	3/4	13/16	1.09	1.21	PNOPMSBT-500/6-6UNI
1/2-3/8	1/2 UNI	0.30	1.047	0.63	3/4	7/8	1.09	1.33	PNOPMSBT-500/6-8UNI

Fractional Tube to Male BSP (parallel) pipe thread are available on request

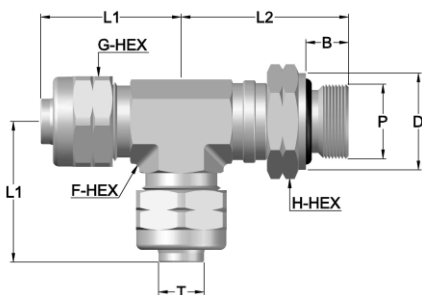
Dimensions for reference only, subject to change without notice

PNO - PARALLEL MALE SWIVEL RUN TEE (PNOPMSRT) Metric Tube to Male BSP (Parallel) pipe thread



TUBE OD/ID	PIPE THREAD	DIMENSIONS IN MILLIMETERS							SEALEXCEL PART NO.
		B	D	F-HEX	G-HEX	H-HEX	L1	L2	
6/4 mm	1/8" BSP	5.8	13.8	10.0	13.0	14.0	21.5	24.9	PNOPMSRT-6/4-2EO
6/4 mm	1/4" BSP	7.5	16.8	10.0	13.0	17.0	21.5	26.8	PNOPMSRT-6/4-4EO
8/5 mm	1/8" BSP	5.8	13.8	12.0	14.0	14.0	23.7	26.0	PNOPMSRT-8/5-2EO
8/5 mm	1/4" BSP	7.5	16.8	12.0	14.0	17.0	23.7	28.0	PNOPMSRT-8/5-4EO
8/5 mm	3/8" BSP	7.5	20.3	12.0	14.0	20.6	23.7	28.5	PNOPMSRT-8/5-6EO
8/6 mm	1/8" BSP	5.8	13.8	12.0	14.0	14.0	23.7	26.0	PNOPMSRT-8/6-2EO
8/6 mm	1/4" BSP	7.5	16.8	12.0	14.0	17.0	23.7	28.0	PNOPMSRT-8/6-4EO
8/6 mm	3/8" BSP	7.5	20.3	12.0	14.0	20.6	23.7	28.5	PNOPMSRT-8/6-6EO
10/7 mm	1/8" BSP	5.8	13.8	14.0	16.0	14.0	24.8	27.0	PNOPMSRT-10/7-2EO
10/7 mm	1/4" BSP	7.5	16.8	14.0	16.0	17.0	24.8	29.0	PNOPMSRT-10/7-4EO
10/7 mm	3/8" BSP	7.5	20.3	14.0	16.0	20.6	24.8	29.5	PNOPMSRT-10/7-6EO
10/8 mm	1/8" BSP	5.8	13.8	14.0	16.0	14.0	24.8	27.0	PNOPMSRT-10/8-2EO
10/8 mm	1/4" BSP	7.5	16.8	14.0	16.0	17.0	24.8	29.0	PNOPMSRT-10/8-4EO
10/8 mm	3/8" BSP	7.5	20.3	14.0	16.0	20.6	24.8	29.5	PNOPMSRT-10/8-6EO
12/9 mm	1/4" BSP	7.5	16.8	16.0	19.0	17.0	27.6	30.3	PNOPMSRT-12/9-4EO
12/9 mm	3/8" BSP	7.5	20.3	16.0	19.0	20.6	27.6	30.7	PNOPMSRT-12/9-6EO
12/9 mm	1/2" BSP	10.0	23.3	16.0	19.0	22.0	27.6	33.8	PNOPMSRT-12/9-8EO
12/10 mm	1/4" BSP	7.5	16.8	16.0	19.0	17.0	27.6	30.3	PNOPMSRT-12/10-4EO
12/10 mm	3/8" BSP	7.5	20.3	16.0	19.0	20.6	27.6	30.7	PNOPMSRT-12/10-6EO
12/10 mm	1/2" BSP	10.0	23.3	16.0	19.0	22.0	27.6	33.8	PNOPMSRT-12/10-8EO

PNO - PARALLEL MALE SWIVEL RUN TEE (PNOPMSRT) Fractional Tube to Male Universal pipe thread



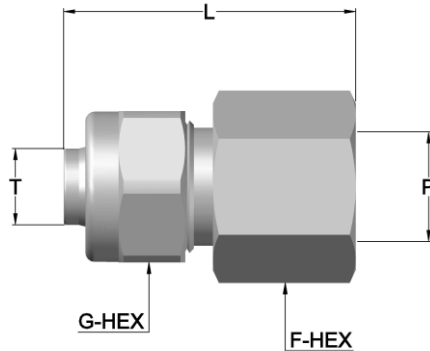
TUBE OD/ID	PIPE THREAD	DIMENSIONS IN INCHES							SEALEXCEL PART NO.
		B	D	F-HEX	G-HEX	H-HEX	L1	L2	
1/4-1/8	1/8 UNI	0.23	0.54	0.39	1/2	9/16	0.85	0.98	PNOPMSRT-250/2-2UNI
1/4-1/8	1/4 UNI	0.30	0.66	0.39	1/2	11/16	0.85	1.06	PNOPMSRT-250/2-4UNI
1/4-0.17	1/8 UNI	0.23	0.54	0.39	1/2	9/16	0.85	0.98	PNOPMSRT-250/17-2UNI
1/4-0.17	1/4 UNI	0.30	0.66	0.39	1/2	11/16	0.85	1.06	PNOPMSRT-250/17-4UNI
5/16-3/16	1/8 UNI	0.23	0.54	0.47	9/16	9/16	0.93	1.02	PNOPMSRT-312/3-2UNI
5/16-3/16	1/4 UNI	0.30	0.66	0.47	9/16	11/16	0.93	1.10	PNOPMSRT-312/3-4UNI
5/16-3/16	3/8 UNI	0.30	0.80	0.47	9/16	13/16	0.93	1.12	PNOPMSRT-312/3-6UNI
3/8-1/4	1/8 UNI	0.23	0.54	0.55	5/8	9/16	0.98	1.06	PNOPMSRT-375/4-2UNI
3/8-1/4	1/4 UNI	0.30	0.66	0.55	5/8	11/16	0.98	1.14	PNOPMSRT-375/4-4UNI
3/8-1/4	3/8 UNI	0.30	0.80	0.55	5/8	13/16	0.98	1.16	PNOPMSRT-375/4-6UNI
1/2-3/8	1/4 UNI	0.30	0.66	0.63	3/4	11/16	1.09	1.19	PNOPMSRT-500/6-4UNI
1/2-3/8	3/8 UNI	0.30	0.80	0.63	3/4	13/16	1.09	1.21	PNOPMSRT-500/6-6UNI
1/2-3/8	1/2 UNI	0.30	0.92	0.63	3/4	7/8	1.09	1.33	PNOPMSRT-500/6-8UNI

Fractional Tube to Male BSP (parallel) pipe thread are available on request

Dimensions for reference only, subject to change without notice

PNO - TAPER FEMALE CONNECTOR (PNOTFC)

Metric Tube to Female BSPT pipe thread

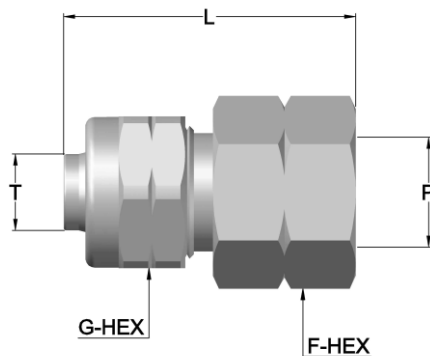


TUBE OD/ID	PIPE THREAD	DIMENSIONS IN MILLIMETERS			SEALEXCEL PART NO.
		F-HEX	G-HEX	L	
6/4 mm	1/8" BSPT	13.0	13.0	26.5	PNOTFC-6/4-2RT
6/4 mm	1/4" BSPT	17.0	13.0	29.5	PNOTFC-6/4-4RT
8/5 mm	1/8" BSPT	13.0	14.0	27.9	PNOTFC-8/5-2RT
8/5 mm	1/4" BSPT	17.0	14.0	31.0	PNOTFC-8/5-4RT
8/5 mm	3/8" BSPT	20.6	14.0	31.5	PNOTFC-8/5-6RT
8/6 mm	1/8" BSPT	13.0	14.0	27.9	PNOTFC-8/6-2RT
8/6 mm	1/4" BSPT	17.0	14.0	31.0	PNOTFC-8/6-4RT
8/6 mm	3/8" BSPT	20.6	14.0	31.5	PNOTFC-8/6-6RT
10/7 mm	1/8" BSPT	16.0	16.0	27.9	PNOTFC-10/7-2RT
10/7 mm	1/4" BSPT	17.0	16.0	30.9	PNOTFC-10/7-4RT
10/7 mm	3/8" BSPT	20.6	16.0	31.5	PNOTFC-10/7-6RT
10/8 mm	1/8" BSPT	16.0	16.0	27.9	PNOTFC-10/8-2RT
10/8 mm	1/4" BSPT	17.0	16.0	30.9	PNOTFC-10/8-4RT
10/8 mm	3/8" BSPT	20.6	16.0	31.5	PNOTFC-10/8-6RT
12/9 mm	1/4" BSPT	17.0	19.0	32.2	PNOTFC-12/9-4RT
12/9 mm	3/8" BSPT	20.6	19.0	33.0	PNOTFC-12/9-6RT
12/10 mm	1/4" BSPT	17.0	19.0	32.2	PNOTFC-12/10-4RT
12/10 mm	3/8" BSPT	20.6	19.0	33.0	PNOTFC-12/10-6RT

Metric Tube to Female NPT pipe thread are available on request

PNO - TAPER FEMALE CONNECTOR (PNOTFC)

Fractional Tube to Female NPT pipe thread



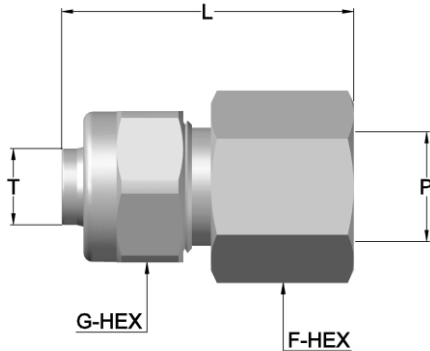
TUBE OD/ID	PIPE THREAD	DIMENSIONS IN INCHES			SEALEXCEL PART NO.
		F-HEX	G-HEX	L	
1/4-1/8	1/8 NPT	1/2	1/2	1.08	PNOTFC-250/2-2N
1/4-1/8	1/4 NPT	11/16	1/2	1.18	PNOTFC-250/2-4N
1/4-0.17	1/8 NPT	1/2	1/2	1.08	PNOTFC-250/17-2N
1/4-0.17	1/4 NPT	11/16	1/2	1.18	PNOTFC-250/17-4N
5/16-3/16	1/8 NPT	1/2	9/16	1.14	PNOTFC-312/3-2N
5/16-3/16	1/4 NPT	11/16	9/16	1.24	PNOTFC-312/3-4N
5/16-3/16	3/8 NPT	13/16	9/16	1.24	PNOTFC-312/3-6N
3/8-1/4	1/8 NPT	5/8	5/8	1.14	PNOTFC-375/4-2N
3/8-1/4	1/4 NPT	11/16	5/8	1.24	PNOTFC-375/4-4N
3/8-1/4	3/8 NPT	13/16	5/8	1.24	PNOTFC-375/4-6N
1/2-3/8	1/4 NPT	11/16	3/4	1.29	PNOTFC-500/6-4N
1/2-3/8	3/8 NPT	13/16	3/4	1.30	PNOTFC-500/6-6N

Fractional Tube to Female BSP/BSPT pipe thread are available on request

Dimensions for reference only, subject to change without notice

PNO - PARALLEL FEMALE CONNECTOR (PNOPFC)

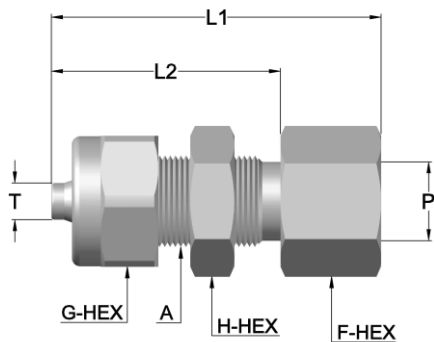
Metric Tube to Female BSP (Parallel) pipe thread



TUBE OD/ID	PIPE THREAD	DIMENSIONS IN MILLIMETERS			SEALEXCEL PART NO.
		F-HEX	G-HEX	L	
6/4 mm	1/8" BSP	13.0	13.0	26.0	PNOPFC-6/4-2RG
6/4 mm	1/4" BSP	17.0	13.0	28.0	PNOPFC-6/4-4RG
8/5 mm	1/8" BSP	13.0	14.0	27.5	PNOPFC-8/5-2RG
8/5 mm	1/4" BSP	17.0	14.0	29.5	PNOPFC-8/5-4RG
8/5 mm	3/8" BSP	20.6	14.0	29.5	PNOPFC-8/5-6RG
8/6 mm	1/8" BSP	13.0	14.0	27.5	PNOPFC-8/6-2RG
8/6 mm	1/4" BSP	17.0	14.0	29.5	PNOPFC-8/6-4RG
8/6 mm	3/8" BSP	20.6	14.0	29.5	PNOPFC-8/6-6RG
10/7 mm	1/8" BSP	16.0	16.0	27.4	PNOPFC-10/7-2RG
10/7 mm	1/4" BSP	17.0	16.0	29.5	PNOPFC-10/7-4RG
10/7 mm	3/8" BSP	20.6	16.0	29.5	PNOPFC-10/7-6RG
10/8 mm	1/8" BSP	16.0	16.0	27.4	PNOPFC-10/8-2RG
10/8 mm	1/4" BSP	17.0	16.0	29.5	PNOPFC-10/8-4RG
10/8 mm	3/8" BSP	20.6	16.0	29.5	PNOPFC-10/8-6RG
12/9 mm	1/4" BSP	17.0	19.0	31.0	PNOPFC-12/9-4RG
12/9 mm	3/8" BSP	20.6	19.0	31.0	PNOPFC-12/9-6RG
12/10 mm	1/4" BSP	17.0	19.0	31.0	PNOPFC-12/10-4RG
12/10 mm	3/8" BSP	20.6	19.0	31.0	PNOPFC-12/10-6RG

PNO - PARALLEL FEMALE BULKHEAD CONNECTOR (PNOPFBC)

Metric Tube to Female BSP (Parallel) pipe thread

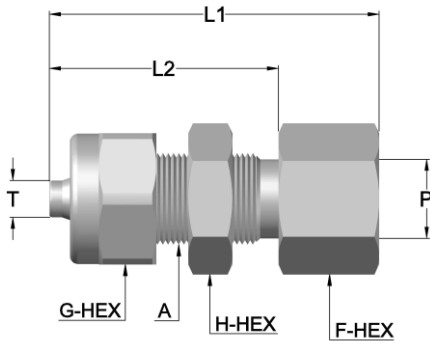


TUBE OD/ID	PIPE THREAD	DIMENSIONS IN MILLIMETERS						SEALEXCEL PART NO.
		A	F-HEX	G-HEX	H-HEX	L1	L2	
6/4 mm	1/8" BSP	M10 x 1	14.0	13.0	14.0	36.8	25.0	PNOPFBC-6/4-2RG
6/4 mm	1/4" BSP	M10 x 1	17.0	13.0	17.0	38.8	25.0	PNOPFBC-6/4-4RG
8/5 mm	1/8" BSP	M12 x 1	16.0	14.0	16.0	37.8	26.0	PNOPFBC-8/5-2RG
8/5 mm	1/4" BSP	M12 x 1	17.0	14.0	17.0	39.8	26.0	PNOPFBC-8/5-4RG
8/5 mm	3/8" BSP	M12 x 1	20.6	14.0	20.6	39.8	26.0	PNOPFBC-8/5-6RG
8/6 mm	1/8" BSP	M12 x 1	16.0	14.0	16.0	37.8	26.0	PNOPFBC-8/6-2RG
8/6 mm	1/4" BSP	M12 x 1	17.0	14.0	17.0	39.8	26.0	PNOPFBC-8/6-4RG
8/6 mm	3/8" BSP	M12 x 1	20.6	14.0	20.6	39.8	26.0	PNOPFBC-8/6-6RG
10/7 mm	1/4" BSP	M14 x 1	19.0	16.0	19.0	39.8	26.0	PNOPFBC-10/7-4RG
10/7 mm	3/8" BSP	M14 x 1	20.6	16.0	20.6	39.8	26.0	PNOPFBC-10/7-6RG
10/8 mm	1/4" BSP	M14 x 1	19.0	16.0	19.0	39.8	26.0	PNOPFBC-10/8-4RG
10/8 mm	3/8" BSP	M14 x 1	20.6	16.0	20.6	39.8	26.0	PNOPFBC-10/8-6RG
12/9 mm	1/4" BSP	M16 x 1	20.6	19.0	20.6	41.8	28.0	PNOPFBC-12/9-4RG
12/9 mm	3/8" BSP	M16 x 1	20.6	19.0	20.6	41.8	28.0	PNOPFBC-12/9-6RG
12/10 mm	1/4" BSP	M16 x 1	20.6	19.0	20.6	41.8	28.0	PNOPFBC-12/10-4RG
12/10 mm	3/8" BSP	M16 x 1	20.6	19.0	20.6	41.8	28.0	PNOPFBC-12/10-6RG

Dimensions for reference only, subject to change without notice

PNO - TAPER FEMALE BULKHEAD CONNECTOR (PNOTFBC)

Metric Tube to Female BSPT pipe thread

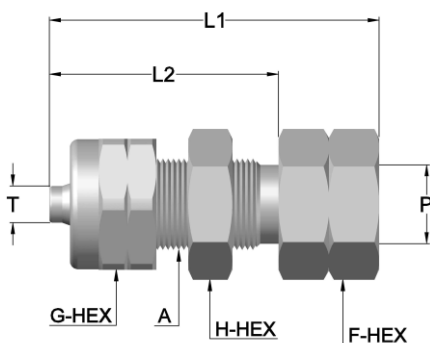


TUBE OD/ID	PIPE THREAD	DIMENSIONS IN MILLIMETERS						SEALEXCEL PART NO.
		A	F-HEX	G-HEX	H-HEX	L1	L2	
6/4 mm	1/8" BSPT	M10 x 1	14.0	13.0	14.0	37.2	25.0	PNOTFBC-6/4-2RT
6/4 mm	1/4" BSPT	M10 x 1	17.0	13.0	17.0	40.3	25.0	PNOTFBC-6/4-4RT
8/5 mm	1/8" BSPT	M12 x 1	16.0	14.0	16.0	38.3	26.0	PNOTFBC-8/5-2RT
8/5 mm	1/4" BSPT	M12 x 1	17.0	14.0	17.0	41.3	26.0	PNOTFBC-8/5-4RT
8/5 mm	3/8" BSPT	M12 x 1	20.6	14.0	20.6	41.8	26.0	PNOTFBC-8/5-6RT
8/6 mm	1/8" BSPT	M12 x 1	16.0	14.0	16.0	38.3	26.0	PNOTFBC-8/6-2RT
8/6 mm	1/4" BSPT	M12 x 1	17.0	14.0	17.0	41.3	26.0	PNOTFBC-8/6-4RT
8/6 mm	3/8" BSPT	M12 x 1	20.6	14.0	20.6	41.8	26.0	PNOTFBC-8/6-6RT
10/7 mm	1/4" BSPT	M14 x 1	19.0	16.0	19.0	41.3	26.0	PNOTFBC-10/7-4RT
10/7 mm	3/8" BSPT	M14 x 1	20.6	16.0	20.6	41.8	26.0	PNOTFBC-10/7-6RT
10/8 mm	1/4" BSPT	M14 x 1	19.0	16.0	19.0	41.3	26.0	PNOTFBC-10/8-4RT
10/8 mm	3/8" BSPT	M14 x 1	20.6	16.0	20.6	41.8	26.0	PNOTFBC-10/8-6RT
12/9 mm	1/4" BSPT	M16 x 1	20.6	19.0	20.6	43.3	28.0	PNOTFBC-12/9-4RT
12/9 mm	3/8" BSPT	M16 x 1	20.6	19.0	20.6	43.8	28.0	PNOTFBC-12/9-6RT
12/10 mm	1/4" BSPT	M16 x 1	20.6	19.0	20.6	43.3	28.0	PNOTFBC-12/10-4RT
12/10 mm	3/8" BSPT	M16 x 1	20.6	19.0	20.6	43.8	28.0	PNOTFBC-12/10-6RT

Metric Tube to Female NPT pipe thread are available on request

PNO - TAPER FEMALE BULKHEAD CONNECTOR (PNOTFBC)

Fractional Tube to Female NPT pipe thread



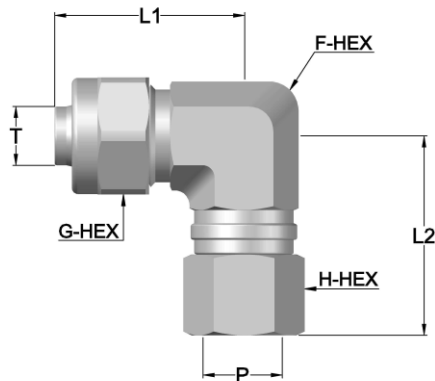
TUBE OD/ID	PIPE THREAD	DIMENSIONS IN INCHES						SEALEXCEL PART NO.
		A	F-HEX	G-HEX	H-HEX	L1	L2	
1/4-1/8	1/8 NPT	M10 x 1	9/16	1/2	9/16	1.50	1.02	PNOTFBC-250/2-2N
1/4-1/8	1/4 NPT	M10 x 1	11/16	1/2	11/16	1.61	1.00	PNOTFBC-250/2-4N
1/4-0.17	1/8 NPT	M10 x 1	9/16	1/2	9/16	1.50	1.02	PNOTFBC-250/17-2N
1/4-0.17	1/4 NPT	M10 x 1	11/16	1/2	11/16	1.61	1.00	PNOTFBC-250/17-4N
5/16-3/16	1/8 NPT	M12 x 1	5/8	9/16	5/8	1.55	1.06	PNOTFBC-312/3-2N
5/16-3/16	1/4 NPT	M12 x 1	11/16	9/16	11/16	1.65	1.04	PNOTFBC-312/3-4N
5/16-3/16	3/8 NPT	M12 x 1	13/16	9/16	13/16	1.65	1.02	PNOTFBC-312/3-6N
3/8-1/4	1/4 NPT	M14 x 1	3/4	5/8	3/4	1.65	1.04	PNOTFBC-375/4-4N
3/8-1/4	3/8 NPT	M14 x 1	13/16	5/8	13/16	1.65	1.02	PNOTFBC-375/4-6N
1/2-3/8	1/4 NPT	M16 x 1	13/16	3/4	13/16	1.72	1.12	PNOTFBC-500/6-4N
1/2-3/8	3/8 NPT	M16 x 1	13/16	3/4	13/16	1.72	1.10	PNOTFBC-500/6-6N

Fractional Tube to Female BSP/BSPT pipe thread are available on request

Dimensions for reference only, subject to change without notice

PNO - TAPER FEMALE SWIVEL ELBOW (PNOTFSE)

Metric Tube to Female BSPT pipe thread

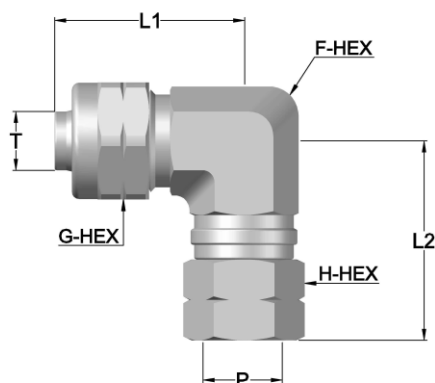


TUBE OD/ID	PIPE THREAD	DIMENSIONS IN MILLIMETERS					SEALEXCEL PART NO.
		F-HEX	G-HEX	H-HEX	L1	L2	
6/4 mm	1/8" BSPT	10.0	13.0	13.0	21.5	25.6	PNOTFSE-6/4-2RT
6/4 mm	1/4" BSPT	10.0	13.0	17.0	21.5	28.8	PNOTFSE-6/4-4RT
8/5 mm	1/8" BSPT	12.0	14.0	13.0	23.7	27.0	PNOTFSE-8/5-2RT
8/5 mm	1/4" BSPT	12.0	14.0	17.0	23.7	30.0	PNOTFSE-8/5-4RT
8/5 mm	3/8" BSPT	12.0	14.0	20.6	23.7	30.8	PNOTFSE-8/5-6RT
8/6 mm	1/8" BSPT	12.0	14.0	13.0	23.7	27.0	PNOTFSE-8/6-2RT
8/6 mm	1/4" BSPT	12.0	14.0	17.0	23.7	30.0	PNOTFSE-8/6-4RT
8/6 mm	3/8" BSPT	12.0	14.0	20.6	23.7	30.8	PNOTFSE-8/6-6RT
10/7 mm	1/4" BSPT	14.0	16.0	17.0	24.8	31.0	PNOTFSE-10/7-4RT
10/7 mm	3/8" BSPT	14.0	16.0	20.6	24.8	31.8	PNOTFSE-10/7-6RT
10/8 mm	1/4" BSPT	14.0	16.0	17.0	24.8	31.0	PNOTFSE-10/8-4RT
10/8 mm	3/8" BSPT	14.0	16.0	20.6	24.8	31.8	PNOTFSE-10/8-6RT
12/9 mm	1/4" BSPT	16.0	19.0	17.0	27.6	32.5	PNOTFSE-12/9-4RT
12/9 mm	3/8" BSPT	16.0	19.0	20.6	27.6	32.8	PNOTFSE-12/9-6RT
12/10 mm	1/4" BSPT	16.0	19.0	17.0	27.6	32.5	PNOTFSE-12/10-4RT
12/10 mm	3/8" BSPT	16.0	19.0	20.6	27.6	32.8	PNOTFSE-12/10-6RT

Metric Tube to Female NPT pipe thread are available on request

PNO - TAPER FEMALE SWIVEL ELBOW (PNOTFSE)

Fractional Tube to Female NPT pipe thread

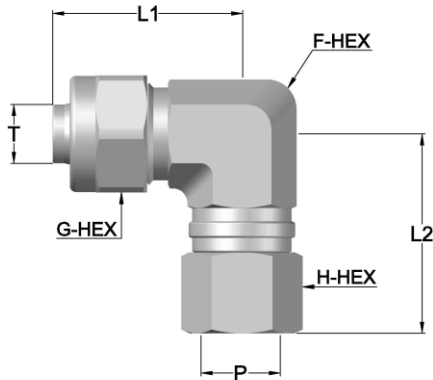


TUBE OD/ID	PIPE THREAD	DIMENSIONS IN INCHES					SEALEXCEL PART NO.
		F-HEX	G-HEX	H-HEX	L1	L2	
1/4-1/8	1/8 NPT	0.39	1/2	1/2	0.85	1.05	PNOTFSE-250/2-2N
1/4-1/8	1/4 NPT	0.39	1/2	11/16	0.85	1.15	PNOTFSE-250/2-4N
1/4-0.17	1/8 NPT	0.39	1/2	1/2	0.85	1.05	PNOTFSE-250/17-2N
1/4-0.17	1/4 NPT	0.39	1/2	11/16	0.85	1.15	PNOTFSE-250/17-4N
5/16-3/16	1/8 NPT	0.47	9/16	1/2	0.93	1.10	PNOTFSE-312/3-2N
5/16-3/16	1/4 NPT	0.47	9/16	11/16	0.93	1.20	PNOTFSE-312/3-4N
5/16-3/16	3/8 NPT	0.47	9/16	13/16	0.93	1.21	PNOTFSE-312/3-6N
3/8-1/4	1/4 NPT	0.55	5/8	11/16	0.98	1.24	PNOTFSE-375/4-4N
3/8-1/4	3/8 NPT	0.55	5/8	13/16	0.98	1.25	PNOTFSE-375/4-6N
1/2-3/8	1/4 NPT	0.63	3/4	11/16	1.09	1.30	PNOTFSE-500/6-4N
1/2-3/8	3/8 NPT	0.63	3/4	20.6	1.09	1.29	PNOTFSE-500/6-6N

Fractional Tube to Female BSP/BSPT pipe thread are available on request

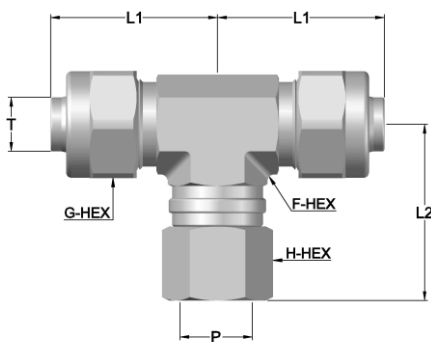
Dimensions for reference only, subject to change without notice

PNO - PARALLEL FEMALE SWIVEL ELBOW (PNOPFSE) Metric Tube to Female BSP (Parallel) pipe thread



TUBE OD/ID	PIPE THREAD	DIMENSIONS IN MILLIMETERS					SEALEXCEL PART NO.
		F-HEX	G-HEX	H-HEX	L1	L2	
6/4 mm	1/8" BSP	10.0	13.0	13.0	21.5	25.0	PNOPFSE-6/4-2RG
6/4 mm	1/4" BSP	10.0	13.0	17.0	21.5	27.4	PNOPFSE-6/4-4RG
8/5 mm	1/8" BSP	12.0	14.0	13.0	23.7	26.5	PNOPFSE-8/5-2RG
8/5 mm	1/4" BSP	12.0	14.0	17.0	23.7	28.8	PNOPFSE-8/5-4RG
8/5 mm	3/8" BSP	12.0	14.0	20.6	23.7	28.8	PNOPFSE-8/5-6RG
8/6 mm	1/8" BSP	12.0	14.0	13.0	23.7	26.5	PNOPFSE-8/6-2RG
8/6 mm	1/4" BSP	12.0	14.0	17.0	23.7	28.5	PNOPFSE-8/6-4RG
8/6 mm	3/8" BSP	12.0	14.0	20.6	23.7	28.8	PNOPFSE-8/6-6RG
10/7 mm	1/4" BSP	14.0	16.0	17.0	24.8	29.5	PNOPFSE-10/7-4RG
10/7 mm	3/8" BSP	14.0	16.0	20.6	24.8	30.3	PNOPFSE-10/7-6RG
10/8 mm	1/4" BSP	14.0	16.0	17.0	24.8	29.5	PNOPFSE-10/8-4RG
10/8 mm	3/8" BSP	14.0	16.0	20.6	24.8	30.3	PNOPFSE-10/8-6RG
12/9 mm	1/4" BSP	16.0	19.0	17.0	27.6	31.0	PNOPFSE-12/9-4RG
12/9 mm	3/8" BSP	16.0	19.0	20.6	27.6	31.0	PNOPFSE-12/9-6RG
12/10 mm	1/4" BSP	16.0	19.0	20.7	27.6	31.0	PNOPFSE-12/10-4RG
12/10 mm	3/8" BSP	16.0	19.0	28.6	27.6	31.0	PNOPFSE-12/10-6RG

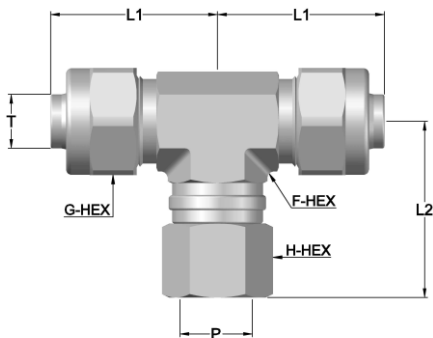
PNO - PARALLEL FEMALE SWIVEL BRANCH TEE (PNOPFSBT) Metric Tube to Female BSP (Parallel) pipe thread



TUBE OD/ID	PIPE THREAD	DIMENSIONS IN MILLIMETERS					SEALEXCEL PART NO.
		F-HEX	G-HEX	H-HEX	L1	L2	
6/4 mm	1/8" BSP	10.0	13.0	13.0	21.5	25.0	PNOPFSBT-6/4-2RG
6/4 mm	1/4" BSP	10.0	13.0	17.0	21.5	27.4	PNOPFSBT-6/4-4RG
8/5 mm	1/8" BSP	12.0	14.0	13.0	23.7	26.5	PNOPFSBT-8/5-2RG
8/5 mm	1/4" BSP	12.0	14.0	17.0	23.7	28.5	PNOPFSBT-8/5-4RG
8/5 mm	3/8" BSP	12.0	14.0	20.6	23.7	28.8	PNOPFSBT-8/5-6RG
8/6 mm	1/8" BSP	12.0	14.0	13.0	23.7	26.5	PNOPFSBT-8/6-2RG
8/6 mm	1/4" BSP	12.0	14.0	17.0	23.7	28.5	PNOPFSBT-8/6-4RG
8/6 mm	3/8" BSP	12.0	14.0	20.6	23.7	28.8	PNOPFSBT-8/6-6RG
10/7 mm	1/4" BSP	14.0	16.0	17.0	24.8	29.5	PNOPFSBT-10/7-4RG
10/7 mm	3/8" BSP	14.0	16.0	20.6	24.8	30.3	PNOPFSBT-10/7-6RG
10/8 mm	1/4" BSP	14.0	16.0	17.0	24.8	29.5	PNOPFSBT-10/8-4RG
10/8 mm	3/8" BSP	14.0	16.0	20.6	24.8	30.3	PNOPFSBT-10/8-6RG
12/9 mm	1/4" BSP	16.0	19.0	17.0	27.6	30.8	PNOPFSBT-12/9-4RG
12/9 mm	3/8" BSP	16.0	19.0	20.6	27.6	31.0	PNOPFSBT-12/9-6RG
12/10 mm	1/4" BSP	16.0	19.0	17.0	27.6	30.8	PNOPFSBT-12/10-4RG
12/10 mm	3/8" BSP	16.0	19.0	20.6	27.6	31.0	PNOPFSBT-12/10-6RG

Dimensions for reference only, subject to change without notice

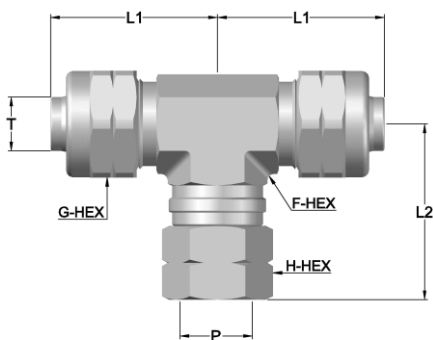
PNO - TAPER FEMALE SWIVEL BRANCH TEE (PNOTFSBT) Metric Tube to Female BSPT pipe thread



TUBE OD/ID	PIPE THREAD	DIMENSIONS IN MILLIMETERS					SEALEXCEL PART NO.
		F-HEX	G-HEX	H-HEX	L1	L2	
6/4 mm	1/8" BSPT	10.0	13.0	13.0	21.5	25.6	PNOTFSBT-6/4-2RT
6/4 mm	1/4" BSPT	10.0	13.0	17.0	21.5	28.8	PNOTFSBT-6/4-4RT
8/5 mm	1/8" BSPT	12.0	14.0	13.0	23.7	27.0	PNOTFSBT-8/5-2RT
8/5 mm	1/4" BSPT	12.0	14.0	17.0	23.7	30.0	PNOTFSBT-8/5-4RT
8/5 mm	3/8" BSPT	12.0	14.0	20.6	23.7	30.8	PNOTFSBT-8/5-6RT
8/6 mm	1/8" BSPT	12.0	14.0	13.0	23.7	27.0	PNOTFSBT-8/6-2RT
8/6 mm	1/4" BSPT	12.0	14.0	17.0	23.7	30.0	PNOTFSBT-8/6-4RT
8/6 mm	3/8" BSPT	12.0	14.0	20.6	23.7	30.8	PNOTFSBT-8/6-6RT
10/7 mm	1/4" BSPT	14.0	16.0	17.0	24.8	31.0	PNOTFSBT-10/7-4RT
10/7 mm	3/8" BSPT	14.0	16.0	20.6	24.8	31.8	PNOTFSBT-10/7-6RT
10/8 mm	1/4" BSPT	14.0	16.0	17.0	24.8	31.0	PNOTFSBT-10/8-4RT
10/8 mm	3/8" BSPT	14.0	16.0	20.6	24.8	31.8	PNOTFSBT-10/8-6RT
12/9 mm	1/4" BSPT	16.0	19.0	17.0	27.6	32.5	PNOTFSBT-12/9-4RT
12/9 mm	3/8" BSPT	16.0	19.0	20.6	27.6	32.8	PNOTFSBT-12/9-6RT
12/10 mm	1/4" BSPT	16.0	19.0	17.0	27.6	32.5	PNOTFSBT-12/10-4RT
12/10 mm	3/8" BSPT	16.0	19.0	20.6	27.6	32.8	PNOTFSBT-12/10-6RT

Metric Tube to Female NPT pipe thread are available on request

PNO - TAPER FEMALE SWIVEL BRANCH TEE (PNOTFSBT) Fractional Tube to Female NPT pipe thread

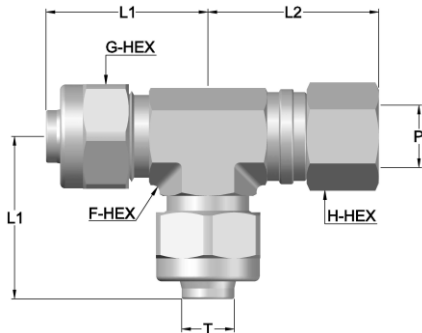


TUBE OD/ID	PIPE THREAD	DIMENSIONS IN INCHES					SEALEXCEL PART NO.
		F-HEX	G-HEX	H-HEX	L1	L2	
1/4-1/8	1/8 NPT	0.39	1/2	1/2	0.85	1.05	PNOTFSBT-250/2-2N
1/4-1/8	1/4 NPT	0.39	1/2	11/16	0.85	1.15	PNOTFSBT-250/2-4N
1/4-0.17	1/8 NPT	0.39	1/2	1/2	0.85	1.05	PNOTFSBT-250/17-2N
1/4-0.17	1/4 NPT	0.39	1/2	11/16	0.85	1.15	PNOTFSBT-250/17-4N
5/16-3/16	1/8 NPT	0.47	9/16	1/2	0.93	1.10	PNOTFSBT-312/3-2N
5/16-3/16	1/4 NPT	0.47	9/16	11/16	0.93	1.20	PNOTFSBT-312/3-4N
5/16-3/16	3/8 NPT	0.47	9/16	13/16	0.93	1.21	PNOTFSBT-312/3-6N
3/8-1/4	1/4 NPT	0.55	5/8	11/16	0.98	1.24	PNOTFSBT-375/4-4N
3/8-1/4	3/8 NPT	0.55	5/8	13/16	0.98	1.25	PNOTFSBT-375/4-6N
1/2-3/8	1/4 NPT	0.63	3/4	11/16	1.09	1.30	PNOTFSBT-500/6-4N
1/2-3/8	3/8 NPT	0.63	3/4	20.6	1.09	1.29	PNOTFSBT-500/6-6N

Fractional Tube to Female BSP/BSPT pipe thread are available on request

Dimensions for reference only, subject to change without notice

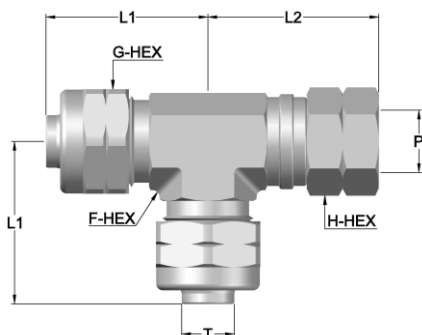
PNO - TAPER FEMALE SWIVEL RUN TEE (PNOTFSRT) Metric Tube to Female BSPT pipe thread



TUBE OD/ID	PIPE THREAD	DIMENSIONS IN MILLIMETERS					SEALEXCEL PART NO.
		F-HEX	G-HEX	H-HEX	L1	L2	
6/4 mm	1/8" BSPT	10.0	13.0	13.0	21.5	25.6	PNOTFSRT-6/4-2RT
6/4 mm	1/4" BSPT	10.0	13.0	17.0	21.5	28.8	PNOTFSRT-6/4-4RT
8/5 mm	1/8" BSPT	12.0	14.0	13.0	23.7	27.0	PNOTFSRT-8/5-2RT
8/5 mm	1/4" BSPT	12.0	14.0	17.0	23.7	30.0	PNOTFSRT-8/5-4RT
8/5 mm	3/8" BSPT	12.0	14.0	20.6	23.7	30.8	PNOTFSRT-8/5-6RT
8/6 mm	1/8" BSPT	12.0	14.0	13.0	23.7	27.0	PNOTFSRT-8/6-2RT
8/6 mm	1/4" BSPT	12.0	14.0	17.0	23.7	30.0	PNOTFSRT-8/6-4RT
8/6 mm	3/8" BSPT	12.0	14.0	20.6	23.7	30.8	PNOTFSRT-8/6-6RT
10/7 mm	1/4" BSPT	14.0	16.0	17.0	24.8	31.0	PNOTFSRT-10/7-4RT
10/7 mm	3/8" BSPT	14.0	16.0	20.6	24.8	31.8	PNOTFSRT-10/7-6RT
10/8 mm	1/4" BSPT	14.0	16.0	17.0	24.8	31.0	PNOTFSRT-10/8-4RT
10/8 mm	3/8" BSPT	14.0	16.0	20.6	24.8	31.8	PNOTFSRT-10/8-6RT
12/9 mm	1/4" BSPT	16.0	19.0	17.0	27.6	32.5	PNOTFSRT-12/9-4RT
12/9 mm	3/8" BSPT	16.0	19.0	20.6	27.6	32.8	PNOTFSRT-12/9-6RT
12/10 mm	1/4" BSPT	16.0	19.0	17.0	27.6	32.5	PNOTFSRT-12/10-4RT
12/10 mm	3/8" BSPT	16.0	19.0	20.6	27.6	32.8	PNOTFSRT-12/10-6RT

Metric Tube to Female NPT pipe thread are available on request

PNO - TAPER FEMALE SWIVEL RUN TEE (PNOTFSRT) Fractional Tube to Female NPT pipe thread

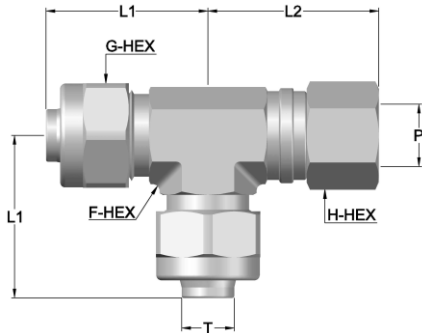


TUBE OD/ID	PIPE THREAD	DIMENSIONS IN INCHES					SEALEXCEL PART NO.
		F-HEX	G-HEX	H-HEX	L1	L2	
1/4-1/8	1/8 NPT	0.39	1/2	1/2	0.85	1.05	PNOTFSRT-250/2-2N
1/4-1/8	1/4 NPT	0.39	1/2	11/16	0.85	1.15	PNOTFSRT-250/2-4N
1/4-0.17	1/8 NPT	0.39	1/2	1/2	0.85	1.05	PNOTFSRT-250/17-2N
1/4-0.17	1/4 NPT	0.39	1/2	11/16	0.85	1.15	PNOTFSRT-250/17-4N
5/16-3/16	1/8 NPT	0.47	9/16	1/2	0.93	1.10	PNOTFSRT-312/3-2N
5/16-3/16	1/4 NPT	0.47	9/16	11/16	0.93	1.20	PNOTFSRT-312/3-4N
5/16-3/16	3/8 NPT	0.47	9/16	13/16	0.93	1.21	PNOTFSRT-312/3-6N
3/8-1/4	1/4 NPT	0.55	5/8	11/16	0.98	1.24	PNOTFSRT-375/4-4N
3/8-1/4	3/8 NPT	0.55	5/8	13/16	0.98	1.25	PNOTFSRT-375/4-6N
1/2-3/8	1/4 NPT	0.63	3/4	11/16	1.09	1.30	PNOTFSRT-500/6-4N
1/2-3/8	3/8 NPT	0.63	3/4	20.6	1.09	1.29	PNOTFSRT-500/6-6N

Fractional Tube to Female BSP/BSPT pipe thread are available on request

Dimensions for reference only, subject to change without notice

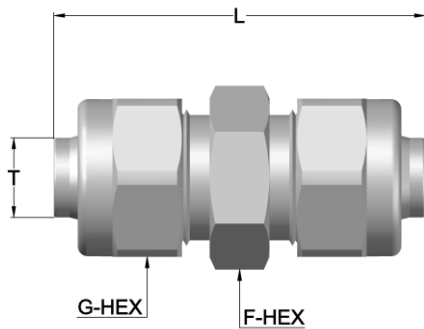
PNO - PARALLEL FEMALE SWIVEL RUN TEE (PNOPFSRT) Metric Tube to Female BSP (Parallel) pipe thread



TUBE OD/ID	PIPE THREAD	DIMENSIONS IN MILLIMETERS					SEALEXCEL PART NO.
		F-HEX	G-HEX	H-HEX	L1	L2	
6/4 mm	1/8" BSP	10.0	13.0	13.0	21.5	25.0	PNOPFSRT-6/4-2RG
6/4 mm	1/4" BSP	10.0	13.0	17.0	21.5	27.4	PNOPFSRT-6/4-4RG
8/5 mm	1/8" BSP	12.0	14.0	13.0	23.7	26.5	PNOPFSRT-8/5-2RG
8/5 mm	1/4" BSP	12.0	14.0	17.0	23.7	28.5	PNOPFSRT-8/5-4RG
8/5 mm	3/8" BSP	12.0	14.0	20.6	23.7	28.8	PNOPFSRT-8/5-6RG
8/6 mm	1/8" BSP	12.0	14.0	13.0	23.7	26.5	PNOPFSRT-8/6-2RG
8/6 mm	1/4" BSP	12.0	14.0	17.0	23.7	28.5	PNOPFSRT-8/6-4RG
8/6 mm	3/8" BSP	12.0	14.0	20.6	23.7	28.8	PNOPFSRT-8/6-6RG
10/7 mm	1/4" BSP	14.0	16.0	17.0	24.8	29.5	PNOPFSRT-10/7-4RG
10/7 mm	3/8" BSP	14.0	16.0	20.6	24.8	30.3	PNOPFSRT-10/7-6RG
10/8 mm	1/4" BSP	14.0	16.0	17.0	24.8	29.5	PNOPFSRT-10/8-4RG
10/8 mm	3/8" BSP	14.0	16.0	20.6	24.8	30.3	PNOPFSRT-10/8-6RG
12/9 mm	1/4" BSP	16.0	19.0	17.0	27.6	30.8	PNOPFSRT-12/9-4RG
12/9 mm	3/8" BSP	16.0	19.0	20.6	27.6	31.0	PNOPFSRT-12/9-6RG
12/10 mm	1/4" BSP	16.0	19.0	17.0	27.6	30.8	PNOPFSRT-12/10-4RG
12/10 mm	3/8" BSP	16.0	19.0	20.6	27.6	31.0	PNOPFSRT-12/10-6RG

PNO - UNION (PNOU)

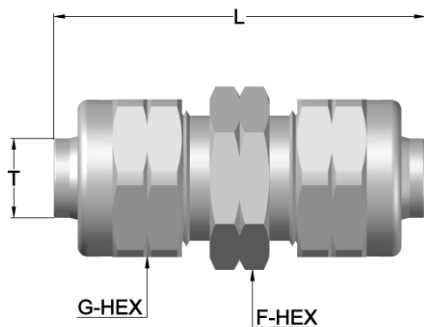
Metric Tube to Tube connection



TUBE OD/ID	DIMENSIONS IN MILLIMETERS			SEALEXCEL PART NO.
	F-HEX	G-HEX	L	
6/4 mm	13.0	13.0	33.7	PNOU-6/4
8/5 mm	14.0	14.0	37.0	PNOU-8/5
8/6 mm	14.0	14.0	37.0	PNOU-8/6
10/7 mm	16.0	16.0	37.4	PNOU-10/7
10/8 mm	16.0	16.0	37.4	PNOU-10/8
12/9 mm	17.0	19.0	41.0	PNOU-12/9
12/10 mm	17.0	19.0	41.0	PNOU-12/10

PNO - UNION (PNOU)

Fractional Tube to Tube connection

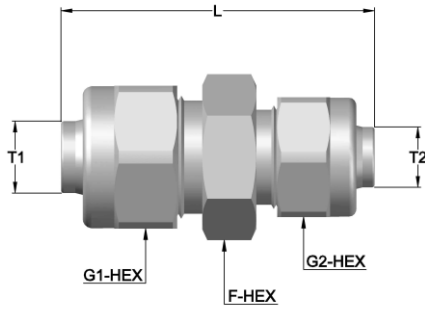


TUBE OD/ID	DIMENSIONS IN INCHES			SEALEXCEL PART NO.
	F-HEX	G-HEX	L1	
1/4-1/8	1/2	1/2	1.33	PNOU-250/2
1/4-0.17	1/2	1/2	1.33	PNOU-250/17
5/16-3/16	9/16	9/16	1.46	PNOU-312/3
3/8-1/4	5/8	5/8	1.47	PNOU-375/4
1/2-3/8	11/16	3/4	1.61	PNOU-500/6

Dimensions for reference only, subject to change without notice

PNO - REDUCING UNION (PNORU)

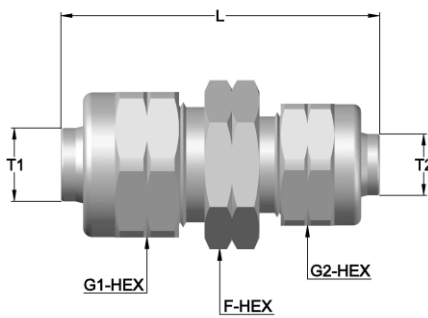
Metric Tube to Tube connection



TUBE OD/ID	TUBE OD/ID	DIMENSIONS IN MILLIMETERS				SEALEXCEL PART NO.
		F-HEX	G1-HEX	G2-HEX	L	
8/6 mm	6/4	14.0	14.0	13.0	35.0	PNORU-8/6-6/4
10/8 mm	6/4	14.0	16.0	13.0	36.0	PNORU-10/8-6/4
10/7 mm	8/5	16.0	16.0	14.0	36.7	PNORU-10/7-8/5
10/8 mm	8/6	16.0	16.0	14.0	36.7	PNORU-10/8-8/6
12/9 mm	8/5	17.0	19.0	14.0	38.5	PNORU-12/9-8/5
12/9 mm	10/7	17.0	19.0	16.0	38.5	PNORU-12/9-10/7
12/10 mm	8/6	17.0	19.0	14.0	38.5	PNORU-12/10-8/6
12/10 mm	10/8	17.0	19.0	16.0	38.5	PNORU-12/10-10/8

PNO - REDUCING UNION (PNORU)

Fractional Tube to Tube connection

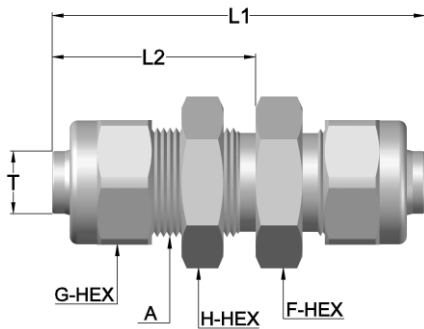


TUBE OD/ID	TUBE OD/ID	DIMENSIONS IN INCHES				SEALEXCEL PART NO.
		F-HEX	G1-HEX	G2-HEX	L	
5/16-3/16	1/4-1/8	9/16	9/16	1/2	1.37	PNORU-312/3-250/2
5/16-3/16	1/4-0.17	9/16	9/16	1/2	1.37	PNORU-312/3-250/17
3/8-1/4	1/4-1/8	5/8	5/8	1/2	1.41	PNO RU-375/4-250/2
3/8-1/4	1/4-0.17	5/8	5/8	1/2	1.41	PNO RU-375/4-250/17
3/8-1/4	5/16-3/16	5/8	5/8	9/16	1.41	PNO RU-375/4-312/3
1/2-3/8	5/16-3/16	11/16	3/4	9/16	1.51	PNO RU-500/6-312/3
1/2-3/8	3/8-3/16	11/16	3/4	9/16	1.51	PNO RU-500/6-312/3

Dimensions for reference only, subject to change without notice

PNO - BULKHEAD UNION (PNOBU)

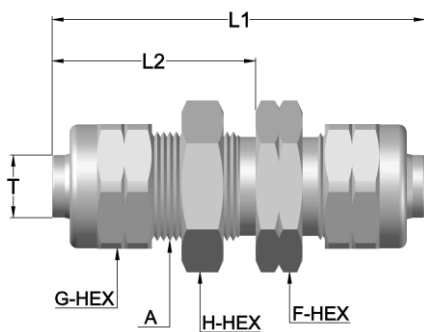
Metric Tube to Tube connection



TUBE OD/ID	DIMENSIONS IN MILLIMETERS						SEALEXCEL PART NO.
	T	A	F-HEX	G-HEX	H-HEX	L1	
6/4 mm	M10 x 1	14.0	13.0	14.0	44.4	25.0	PNOBU-6/4
8/5 mm	M12 x 1	16.0	14.0	16.0	47.3	26.0	PNOBU-8/5
8/6 mm	M12 x 1	16.0	14.0	16.0	47.3	26.0	PNOBU-8/6
10/7 mm	M14 x 1	19.0	16.0	19.0	47.7	26.0	PNOBU-10/7
10/8 mm	M14 x 1	19.0	16.0	19.0	47.7	26.0	PNOBU-10/8
12/9 mm	M16 x 1	20.6	19.0	20.6	51.5	28.0	PNOBU-12/9
12/10 mm	M16 x 1	20.6	19.0	20.6	51.5	28.0	PNOBU-12/10

PNO - BULKHEAD UNION (PNOBU)

Fractional Tube to Tube connection

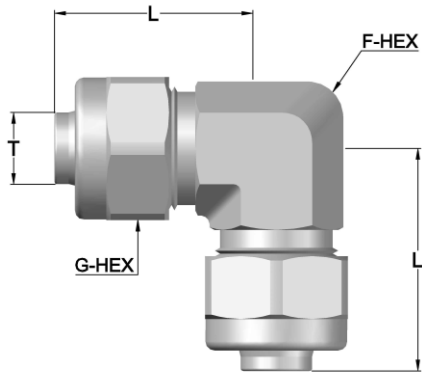


TUBE OD/ID	DIMENSIONS IN INCHES						SEALEXCEL PART NO.
	T	A	G-HEX	H-HEX	L1	L2	
1/4-1/8	M10 x 1	1/2	9/16	1.75	0.98	PNOBU-250/2	
1/4-0.17	M10 x 1	1/2	9/16	1.75	0.98	PNOBU-250/17	
5/16-3/16	M12 x 1	9/16	5/8	1.86	1.02	PNOBU-312/3	
3/8-1/4	M14 x 1	11/16	3/4	1.88	1.02	PNOBU-375/4	
1/2-3/8	M16 x 1	3/4	13/16	2.03	1.10	PNOBU-500/6	

Dimensions for reference only, subject to change without notice

PNO - UNION ELBOW (PNOUE)

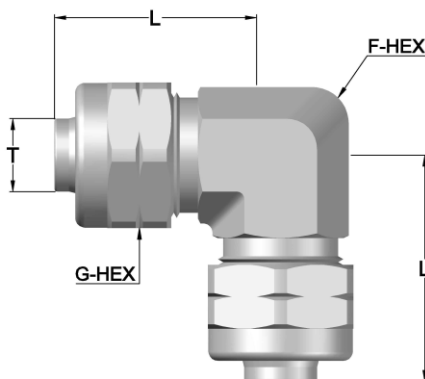
Metric Tube to Tube connection



TUBE OD/ID	DIMENSIONS IN MILLIMETERS			SEALEXCEL PART NO.
	T	F-HEX	G-HEX	
6/4 mm	10.0	13.0	21.5	PNOUE-6/4
8/5 mm	12.0	14.0	23.7	PNOUE-8/5
8/6 mm	12.0	14.0	23.7	PNOUE-8/6
10/7 mm	14.0	16.0	24.8	PNOUE-10/7
10/8 mm	14.0	16.0	24.8	PNOUE-10/8
12/9 mm	16.0	19.0	27.6	PNOUE-12/9
12/10 mm	16.0	19.0	27.6	PNOUE-12/10

PNO - UNION ELBOW (PNOUE)

Fractional Tube to Tube connection

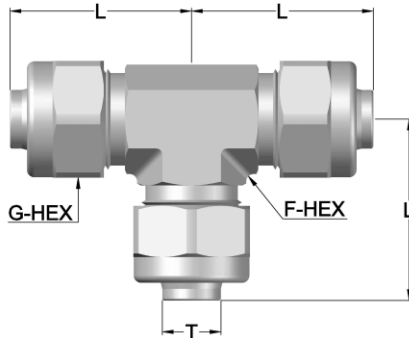


TUBE OD/ID	DIMENSIONS IN INCHES			SEALEXCEL PART NO.
	T	F-HEX	G-HEX	
1/4-1/8	0.39	1/2	0.85	PNOUE-250/2
1/4-0.17	0.39	1/2	0.85	PNOUE-250/17
5/16-3/16	0.47	9/16	0.93	PNOUE-312/3
3/8-1/4	0.55	11/16	0.98	PNOUE-375/4
1/2-3/8	0.63	3/4	1.09	PNOUE-500/6

Dimensions for reference only, subject to change without notice

PNO - UNION TEE (PNOUT)

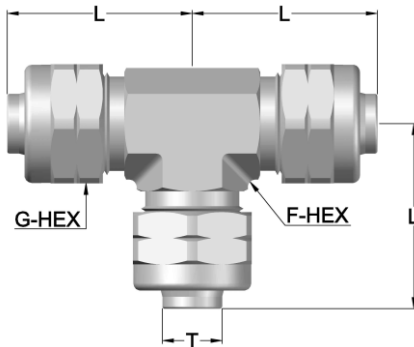
Metric Tube to Tube connection



TUBE OD/ID	DIMENSIONS IN MILLIMETERS			SEALEXCEL PART NO.
	F-HEX	G-HEX	L	
6/4 mm	10.0	13.0	21.5	PNOUT-6/4
8/5mm	12.0	14.0	23.7	PNOUT-8/5
8/6 mm	12.0	14.0	23.7	PNOUT-8/6
10/7 mm	14.0	16.0	24.8	PNOUT-10/7
10/8 mm	14.0	16.0	24.8	PNOUT-10/8
12/9 mm	16.0	19.0	27.6	PNOUT-12/9
12/10 mm	16.0	19.0	27.6	PNOUT-12/10

PNO - UNION TEE (PNOUT)

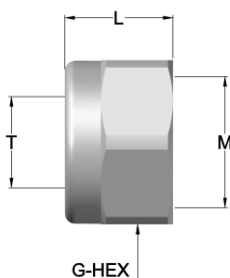
Fractional Tube to Tube connection



TUBE OD/ID	DIMENSIONS IN INCHES			SEALEXCEL PART NO.
	F-HEX	G-HEX	L	
1/4-1/8	0.39	1/2	0.85	PNOUT-250/2
1/4-0.17	0.39	1/2	0.85	PNOUT-250/17
5/16-3/16	0.47	9/16	0.93	PNOUT-312/3
3/8-1/4	0.55	11/16	0.98	PNOUT-375/4
1/2-3/8	0.63	3/4	1.09	PNOUT-500/6

PNO - NUT (PNON)

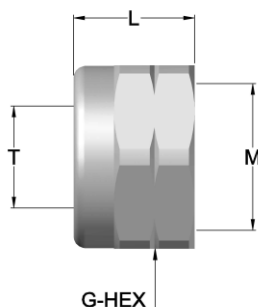
Metric Tube



TUBE OD/ID	THREAD SIZE	DIMENSIONS IN MILLIMETERS		SEALEXCEL PART NO.
		G-HEX	L	
6 mm	M10 X 1	13.0	10.5	PNON-6
8 mm	M12 X 1	14.0	11.5	PNON-8
10 mm	M14 X 1	16.0	11.5	PNON-10
12 mm	M16 X 1	19.0	13.0	PNON-12

PNO - NUT (PNON)

Fractional Tube



TUBE OD/ID	THREAD SIZE	DIMENSIONS IN INCHES		SEALEXCEL PART NO.
		G-HEX	L	
1/4	M10 X 1	1/2	0.41	PNON-250
5/16	M12 X 1	9/16	0.45	PNON-312
3/8	M14 X 1	5/8	0.45	PNON-375
1/2	M16 X 1	3/4	0.51	PNON-500

Dimensions for reference only, subject to change without notice