



Cost Effective and Reliable Source For Two/Three Way Multi-Service High Pressure Ball Valves

SERIES - BV107



www.sealexcel.com

*Advanced Technology in design, development and production of world class quality Fittings and Valves for Instrumentation, Process Tubing etc. ensure
A TOTAL CUSTOMER SATISFACTIONS*



SEALEXCEL (INDIA) PVT. LTD. A fast growing manufacturing company having over 35 years of experience and expertise with advanced technology in Design, Development and Manufacturing World Class consistent and reliable quality Tube Fitting and Valves used in Fluid/Gas Control System in Industries like Automobile, Chemicals, Petrochemicals, Oil & Gas, Marine, Food, Biotechnology, Pharmaceutical, Packaging and Printing Industries etc.

We have two well-equipped modern manufacturing plant including in-house product performance testing facilities to check and verify the maximum safety and consistent reliable performance under adverse, harsh, stressful environments like vibrations, high pressure, deep vacuum and thermal shock etc.

RESEARCH & DEVELOPMENT

By continuous Research & Development with advanced technology and high tech cutting edge machineries. SEALEXCEL produce best quality products for its customers.

QUALITY

SEALEXCEL's total quality system and control from incoming raw material inspection through ongoing quality assurance during production, final inspection, assembly, testing, packing and dispatch ensure high standard quality products which has earned us various quality certifications such as

- ISO 9001:2015
- PED 2014/68/EU
- ATEX
- OHSAS 18001 (Safety)
- ISO 14001 (Environment)

SEALEXCEL products are validated by type testing in accordance with

- ASTM F 1387-99(2012)
- ECE R110, ISO 15500
- BS4368:4:1984
- MSS SP-99-2016a
- Helium Leak Test
- ARAI Test Report

CUSTOMER SATISFACTION

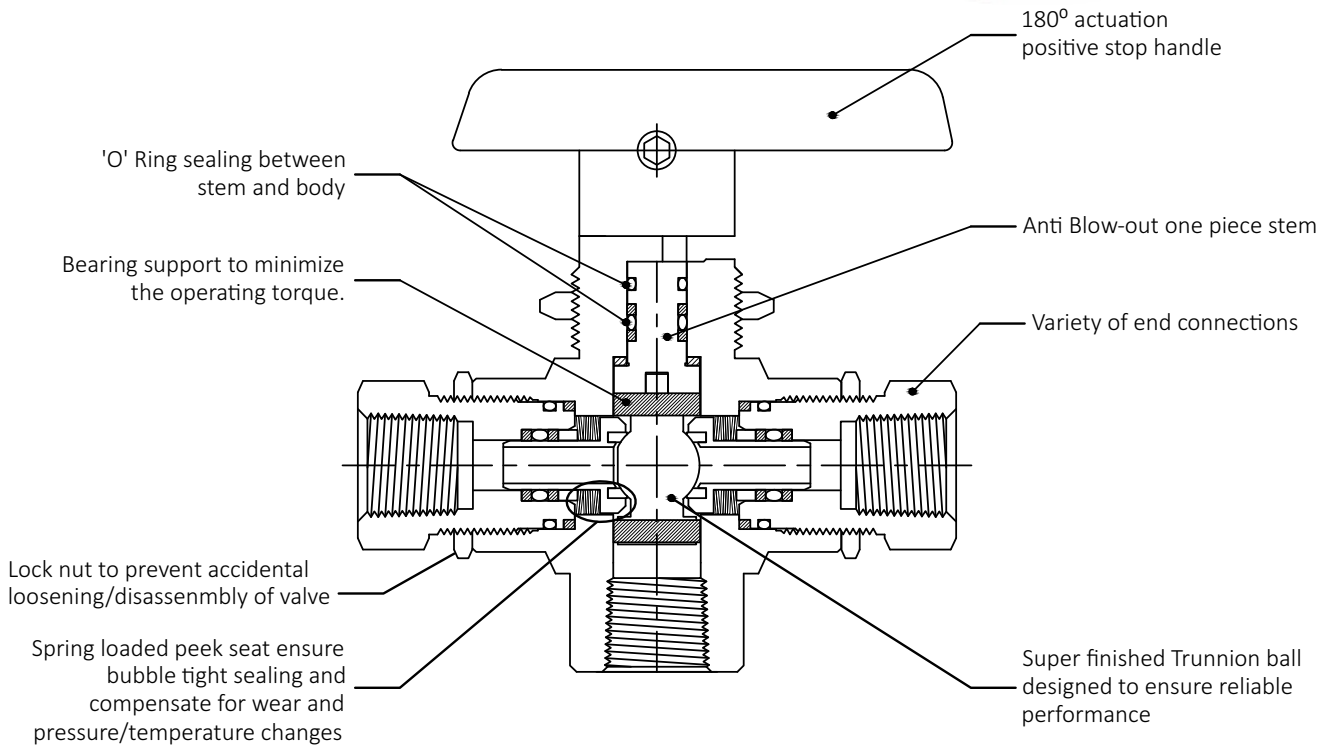
We strive for Total Customer Satisfaction and continuously work to set of goals to provide the best quality and delivery of products and services in the best interest of our customers.

TWO/THREE WAY BALL VALVES : SERIES - BV107



FEATURES / BENEFITS

- Available in material SS316
- Two/Three way Compact Design.
- Trunnion Ball Design having bearing support to minimize operating torque and seat wear
- Panel Mounting.
- Handle Indicates Direction of Flow.
- Variety of End configuration includes SEALEXCEL Well-Lok Tube Fittings, NPT/BSPT pipe connections.
- 100% Factory tested.



OPERATING PARAMETERS

Pressure Rating : Upto 6000 psig (413 bar) at cwp.
 Temperature Rating : -50°C to 160°C

APPLICATIONS

- High pressure CNG
- Instrument Air lines.
- High Pressure Instrument Lines
- General Plant Service.

TESTING

- Standard Test : Each valve is factory tested with nitrogen at 2000 psig (138 bar) for leakage at the seat and packing.
- Optional Hydrostatic test : This test is performed with de-ionised water at 1.5 time the working pressure.

FLOW DATA

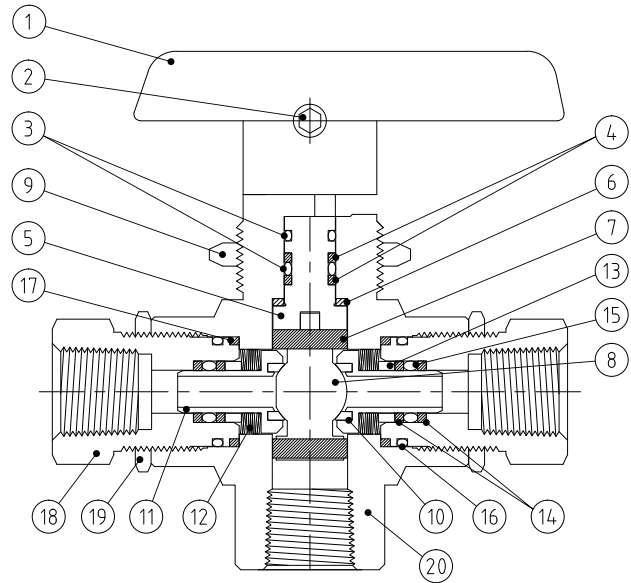
Valve	Orifice 0.187" (4.8 mm)		
	Pressure Drop to Atmosphere (Dp) PSI	Air SCFM at 70°F (20°C)	Water GPM at 70°F (20°C)
2-Way	1500	840	46
Cv = 1.2	6000	3300	93
3-Way	1500	530	29
Cv = 0.75	6000	2100	58

TWO/THREE WAY BALL VALVES : SERIES - BV107



MATERIAL OF CONSTRUCTIONS

No.	Component	Material
1	Handle	Nylon
2	Set Screw	SS316
3	'O'Ring	Viton
4	Back-up Ring	PTFE
5	Stem	SS316
6	Stem Washer	PEEK
7	Stem Bearing	PEEK
8	Trunion Ball	SS316
9	Panel Nut	SS316
10	Valve Seat	PEEK
11	Seat Retainer	SS316
12	Disc Springs	Stainless Steel
13	Seat Guide	SS316
14	Back-up Ring	PTFE
15	'O' Ring	Viton
16	'O' Ring	Viton
17	End Connector Seal	PTFE
18	End Connector	SS316
19	Lock Nut	SS316
20	Valve Body	SS316



ORDERING INFORMATION

VALVE DESCRIPTION	ORDERING NUMBER FOR TUBE CONNECTIONS	ORDERING NUMBER FOR PIPE END CONNECTIONS
BALL VALVES	$\frac{2BV107-TT}{1} \frac{8-E}{2} \frac{K}{3} \frac{V}{5} \frac{V}{6} \frac{V}{7}$	$\frac{3BV107-FF}{1} \frac{6}{2} \frac{N-E}{3} \frac{K}{4} \frac{V}{5} \frac{V}{6} \frac{V}{7}$

1. VALVE SERIES CODE DESCRIPTION

BALL VALVES SERIES : 2BV107
: 3BV107

2. END CONNECTION TYPE CODE DESCRIPTION

- TT - SEALEXCEL[®] Well-Lok[®] Tube Fittings
- MM - Male pipe thread
- FF - Female pipe thread
- MT - Male pipe thread to SEALEXCEL[®] Well-Lok[®] Tube Fittings
- MF - Male pipe thread to Female pipe thread

3. END CONNECTION SIZE CODE DESCRIPTION TUBE OD SIZE

FRACTIONAL		METRIC	
SIZE	CODE	SIZE	CODE
1/4"ODT	4	6mm ODT	6M
3/8"ODT	6	8mm ODT	8M
1/2" ODT	8	10mm ODT	10M
3/4"ODT	12	12m ODT	12M
		16mm ODT	16M

PIPE THREAD SIZE

SIZE	CODE	SIZE	CODE
1/8"	2	3/8"	6
1/4"	4	1/2"	8

4. PIPE THREAD TYPE CODE DESCRIPTION

- N - Male / Female NPT
- RT - Male / Female BSPT
- RG - Female BSP
- SE - SAE Straight Thread

5. MATERIAL OF CONSTRUCTIONS

- E - SS316
- EL - SS316 to NACE MR01-75

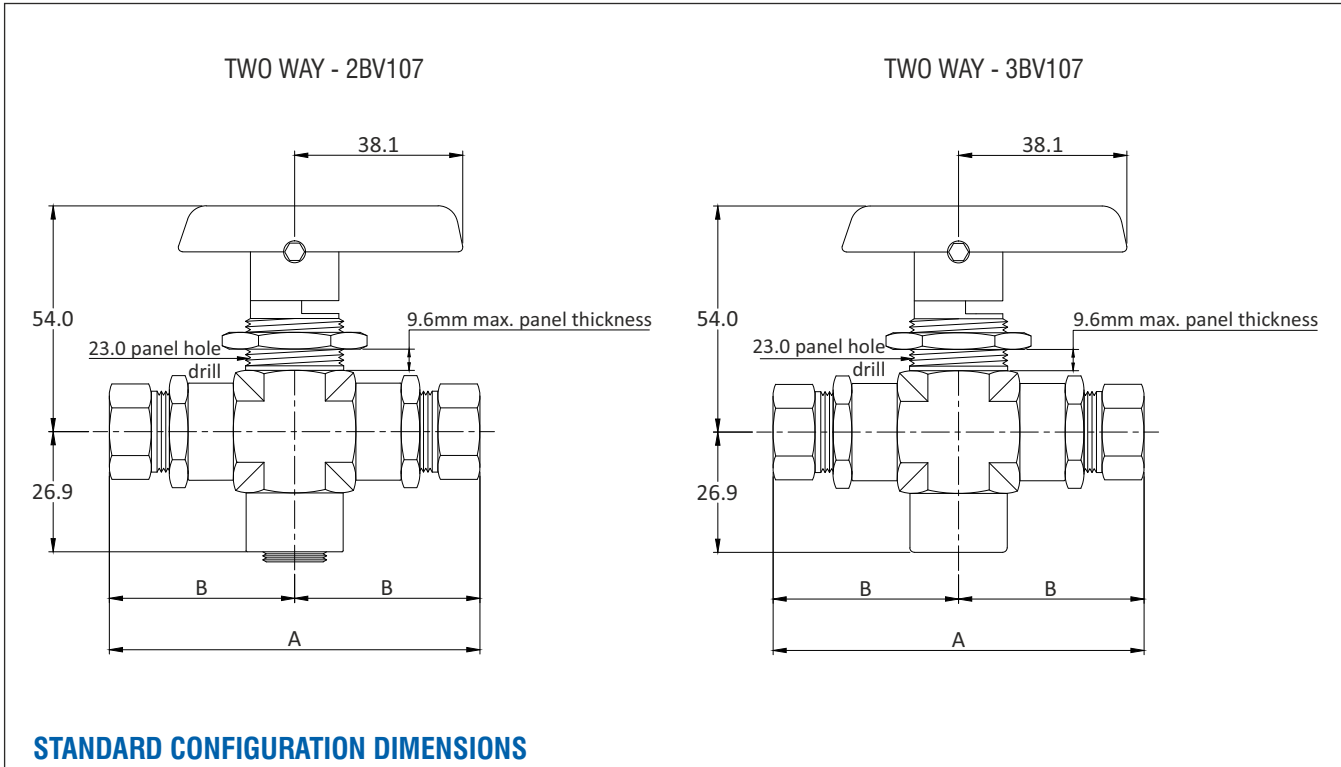
6. VALVE / SEAT MATERIAL

- K - Peek
- T - PTFE

7. SEAL MATERIAL

- B - Buna-N
- P - EPDM
- V - Viton[®]

Viton[®] is the registered trademark of Dupont



STANDARD CONFIGURATION DIMENSIONS

Valve Type	End Connections		Orifice Inch (mm)	Cv	Dimensions (inches)		Ordering Number
	Inlet	Outlet			A	B	
2-Way	1/8" Female NPT	1/8 Female NPT	0.187" (4.8)	1.2	3.12	1.56	2BV107-FF2N-EKV
	1/4" Female NPT	1/4 Female NPT	0.187" (4.8)	1.2	3.14	4.57	2BV107-FF4N-EKV
	1/4" Well-Lok	1/4 Well-Lok	0.187" (4.8)	1.2	4.52	2.26	2BV107-TT250-EKV
	3/8" Well-Lok	3/8 Well-Lok	0.187" (4.8)	1.2	4.64	2.32	2BV107-TT375-EKV
	1/2" Well-Lok	1/2 Well-Lok	0.187" (4.8)	1.2	4.84	2.42	2BV107-TT500-EKV
	6mm Well-Lok	6mm Well-Lok	0.187" (4.8)	1.2	4.52	2.26	2BV107-TT6M-EKV
	8mm Well-Lok	8mm Well-Lok	0.187" (4.8)	1.2	4.58	2.29	2BV107-TT8M-EKV
	10mm Well-Lok	10mm Well-Lok	0.187" (4.8)	1.2	4.64	2.32	2BV107-TT10M-EKV
	12mm Well-Lok	12mm Well-Lok	0.187" (4.8)	1.2	4.84	2.42	2BV107-TT12M-EKV
3-Way	1/8" Female NPT	1/8 Female NPT	0.187" (4.8)	0.75	3.12	1.56	3BV107-FF2N-EKV
	1/4" Female NPT	1/4 Female NPT	0.187" (4.8)	0.75	3.14	1.57	3BV107-FF4N-EKV
	1/4" Well-Lok	1/4 Well-Lok	0.187" (4.8)	0.75	4.52	2.26	3BV107-TT250-EKV
	3/8" Well-Lok	3/8 Well-Lok	0.187" (4.8)	0.75	4.64	2.32	3BV107-TT375-EKV
	1/2" Well-Lok	1/2 Well-Lok	0.187" (4.8)	0.75	4.84	2.42	3BV107-TT500-EKV
	6mm Well-Lok	6mm Well-Lok	0.187" (4.8)	0.75	4.52	2.26	3BV107-TT6M-EKV
	8mm Well-Lok	8mm Well-Lok	0.187" (4.8)	0.75	4.58	2.29	3BV107-TT8M-EKV
	10mm Well-Lok	10mm Well-Lok	0.187" (4.8)	0.75	4.65	2.32	3BV107-TT10M-EKV
	12mm Well-Lok	12mm Well-Lok	0.187" (4.8)	0.75	4.84	2.42	3BV107-TT12M-EKV

Dimensions shown with SEALEXCEL[®] Well-Lok[®] Nut are finger tight

Viton[®] is the registered trademark of Dupont

PRODUCT RANGE



 <p>Twin/Single Ferrule Tube Fittings</p>	 <p>37° Flare Tube Fittings To SAE J514</p>	 <p>Instrument Threaded & Welded Pipe Fittings</p>	 <p>Tube Fittings With Integral Flange</p>	 <p>Low /Medium Pressure Ball Valves</p>
 <p>High Pressure Ball Valve</p>	 <p>High Pressure 2/3 Way Ball Valve</p>	 <p>Needle Valve</p>	 <p>Needle Valves (Panel Mountable)</p>	 <p>High Pressure Needle Valve</p>
 <p>Rising Stem Plug Valves</p>	 <p>Gauge/Root Valves</p>	 <p>Instrument 2/3/5 Manifold Valves</p>	 <p>Monoflange Valves</p>	 <p>Single / Double Block & Bleed Valves</p>
 <p>Purge Valves</p>	 <p>Bleed Valves</p>	 <p>Toggle Valves</p>	 <p>Relief Valves</p>	 <p>Check Valves</p>
 <p>Micron In-line Filters</p>	 <p>Quick Connect Couplings</p>	 <p>Stainless Steel Pneumatics Fittings & Valves</p>		



SEALEXCEL[®] (INDIA) PVT. LTD.

Registered Office : 56 & 61, Veena Dalvai Industrial Estate, S. V. Road, Oshiwara, Jogeshwari (west), Mumbai - 400 102. India.
 Phone : +91-22-26786885, 26788534, 66944124
 Fax : +91-22-26781426, 66944126
 E-mail : sales@sealexcel.com, Website : <http://www.sealexcel.com>

Manufacturing Plant : At Post - Mahi, Pirojpora - Mahi Road, Via Chhapi, Taluka-vadgam, Dist-Banaskantha, North-Gujarat, Pin-385210. India