



Cost Effective and Reliable Source For Instrumentation Check Valves

SERIES - CV09



www.sealexcel.com

*Advanced Technology in design, development and production of world class quality Fittings and Valves for Instrumentation, Process Tubing etc. ensure
A TOTAL CUSTOMER SATISFACTIONS*



SEALEXCEL (INDIA) PVT. LTD. A fast growing manufacturing company having over 35 years of experience and expertise with advanced technology in Design, Development and Manufacturing World Class consistent and reliable quality Tube Fitting and Valves used in Fluid/Gas Control System in Industries like Automobile, Chemicals, Petrochemicals, Oil & Gas, Marine, Food, Biotechnology, Pharmaceutical, Packaging and Printing Industries etc.

We have two well-equipped modern manufacturing plant including in-house product performance testing facilities to check and verify the maximum safety and consistent reliable performance under adverse, harsh, stressful environments like vibrations, high pressure, deep vacuum and thermal shock etc.

RESEARCH & DEVELOPMENT

By continuous Research & Development with advanced technology and high tech cutting edge machineries. SEALEXCEL produce best quality products for its customers.

QUALITY

SEALEXCEL's total quality system and control from incoming raw material inspection through ongoing quality assurance during production, final inspection, assembly, testing, packing and dispatch ensure high standard quality products which has earned us various quality certifications such as

- ISO 9001:2015
- PED 2014/68/EU
- ATEX
- OHSAS 18001 (Safety)
- ISO 14001 (Environment)

SEALEXCEL products are validated by type testing in accordance with

- ASTM F 1387-99(2012)
- ECE R110, ISO 15500
- BS4368:4:1984
- MSS SP-99-2016a
- Helium Leak Test
- ARAI Test Report

CUSTOMER SATISFACTION

We strive for Total Customer Satisfaction and continuously work to set of goals to provide the best quality and delivery of products and services in the best interest of our customers.

FEATURES / BENEFITS

- Available in SS316, all wetted parts in accordance with NACE MR01-75
- Heat Code Traceable to certified material test report
- Instant shut off in upstream condition
- Unidirectional flow control
- Bonded poppet design ensure improved crack and reseal performance
- The cracking pressure from 1 to 50 psig (0.07 to 3.4 bar)
- Variety of end configuration includes SEALEXCEL[®] Well-Lok[®] Tube Fittings, Male / Female NPT, BSPT and BSPP pipe connection
- Every valve is factory tested.

OPERATING PARAMETERS

Pressure Rating : upto 6000 psig (413 bar) at CWP
 Temperature Rating : upto 198°C with Viton[®] O-Ring

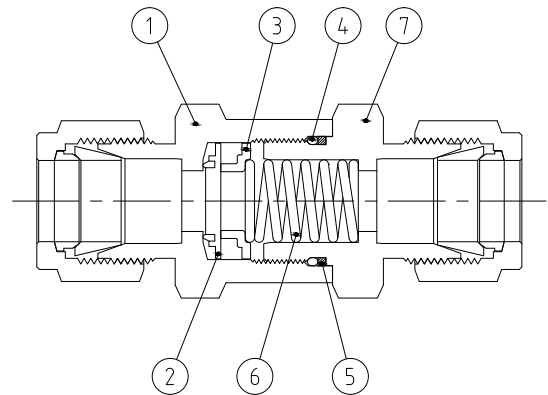
APPLICATIONS :

- Gas
- Liquid
- Fluid handling



MATERIAL OF CONSTRUCTIONS

No.	Component	Material
1	Inlet Body	SS316
2	Bonded Poppet	SS316
3	Pusher	SS316
4	'O' Ring	Viton [®]
5	Backup Ring	PTFE
6	Spring	SS302
7	Outlet Body	SS316



TECHNICAL DATA

Connection Sizes	Max. Flow Coefficient (Cv)	Nominal Cracking Pressure psi (bar)	Back Pressure at 70°F (20°C) psi (bar)
1/8, 1/4, 6mm	0.67	1/3, 1, 5, 10 & 25	6000 (413)
3/8, 1/2, 8-12mm	1.80	(0.02, 0.06, 0.34,	5000 (344)
3/4, 1, 22mm, 25mm	4.7	0.68, and 7.1)	

CRACKING AND RESEAL PRESSURE

Nominal Cracking Pressure psi (bar)	Cracking Pressure Range psi (bar)	Reseal Pressure
1/3 (0.02)	Up to 3 (0.2)	Up to 6 (90.4) back pressure
1 (0.06)	Up to 4 (0.27)	Up to 4 (0.27) back pressure
5 (0.34)	3 to 9 (0.20 to 0.62)	Up to 2 (0.13) back pressure
10 (0.68)	7 to 15 (0.48 to 1.0)	3 (0.2) or more inlet pressure
25 (1.7)	20 to 30 (1.3 to 2.0)	17 (1.1) or more inlet pressure

RESEAL PRESSURE

The differential pressure between the outlet and inlet, at which no flow is passing through the valve.

CRACKING PRESSURE

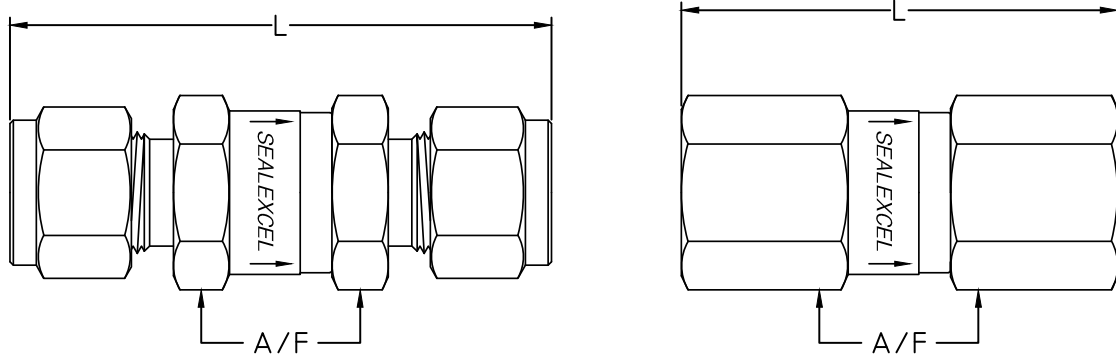
The differential pressure between the outlet and inlet, at which an initial flow is passing through the valve.

O-RINGS

O-Ring Material	Temperature Rating °F(°C)
Buna - N	-10 to 250 (-23 to 121)
EPDM	-70 to 250 (-55 to 121)
Viton [®] (Fluorocarbon)	-10 to 350 (-23 to 191)

TESTING

- Standard Test : Each valve is factory tested with nitrogen gas at 1000 psig (69 bar) for leakage at the seat and packing.
- Optional Hydrostatic test : This test is performed with de-ionised water at 1.5 time the working pressure.



STANDARD CONFIGURATION DIMENSIONS

End Connections		Pressure Rating psig (bar)	Dimensions (mm)		Ordering Number
Inlet	Outlet		L	A/F	
1/8" Well-Lok		6000 (413)	57.7	17.4	CV09-TT2
1/4" Well-Lok		6000 (413)	61.7	17.4	CV09-TT4
3/8" Well-Lok		6000 (413)	69.9	25.4	CV09-TT6
1/2" Well-Lok		6000 (413)	75.2	25.4	CV09-TT8
3/4" Well-Lok		5000 (344)	89.4	41.3	CV09-TT12
1" Well-Lok		4600 (316)	98.5	41.3	CV09-TT16
6 mm Well-Lok		6000 (413)	61.8	17.4	CV09-TT6M
8 mm Well-Lok		6000 (413)	68.5	25.4	CV09-TT8M
10 mm Well-Lok		6000 (413)	71.1	25.4	CV09-TT10M
12 mm Well-Lok		6000 (413)	75.2	25.4	CV09-TT12M
22 mm Well-Lok		4900 (337)	88.4	41.3	CV09-TT22M
25 mm Well-Lok		4600 (316)	98.6	41.3	CV09-TT25M
1/4" Female NPT		6000 (413)	54.1	17.4	CV09-F4N
3/8" Female NPT		5300 (365)	64.8	25.4	CV09-F6N
1/2" Female NPT		4900 (337)	83.6	27.0	CV09-F8N
3/4" Female NPT		4600 (316)	90.1	41.3	CV09-F12N
1" Female NPT		4400 (303)	97.3	41.3	CV09-F16N
1/8" Male NPT		6000 (413)	45.5	17.4	CV09-M2N
1/4" Male NPT		6000 (413)	55.1	17.4	CV09-M4N
3/8" Male NPT		6000 (413)	59.9	25.4	CV09-M6N
1/2" Male NPT		6000 (413)	69.3	25.4	CV09-M8N
3/4" Male NPT		5000 (344)	83.6	41.3	CV09-M12N
1" Male NPT		5000 (344)	93.2	41.3	CV09-M16N

Dimensions shown with SEALEXCEL[®] Well-Lok[®] Nut are finger tight

Dimensions are for reference only and subject to change

VALVE DESCRIPTION	ORDERING NUMBER FOR TUBE CONNECTIONS	ORDERING NUMBER FOR PIPE END CONNECTIONS
CHECK VALVES	CV09-TT $\frac{4-E}{1 \ 2 \ 3 \ 5 \ 6} \frac{V}{6}$	CV09-MM $\frac{4}{1 \ 2 \ 3 \ 4 \ 5 \ 6} \frac{N-E \ V}{4 \ 5 \ 6}$

VALVE SERIES CODE DESCRIPTION

CHECK VALVES SERIES : CV09

2. END CONNECTION TYPE CODE DESCRIPTION

- TT - SEALEXCEL[®] Well-Lok[®] Tube Fittings
- MM - Male pipe thread
- FF - Female pipe thread
- MT - Male pipe thread to SEALEXCEL[®] Well-Lok[®] Tube Fittings
- MF - Male pipe thread to Female pipe thread

3. END CONNECTION SIZE CODE DESCRIPTION

TUBE OD SIZE

FRACTIONAL		METRIC	
SIZE	CODE	SIZE	CODE
1/4"ODT	4	6mm ODT	6M
3/8"ODT	6	8mm ODT	8M
1/2" ODT	8	10mm ODT	10M
3/4"ODT	12	12m ODT	12M
1" ODT	16	16mm ODT	16M
		22mm ODT	22M
		25mm ODT	25M

PIPE THREAD SIZE

SIZE	CODE	SIZE	CODE
1/8"	2	1/2"	8
1/4"	4	3/4"	12
3/8"	6	1"	16

4. PIPE THREAD TYPE CODE DESCRIPTION

- N - Male / Female NPT
- RT - Male / Female BSPT
- RG - Female BSP
- SE - SAE Straight Thread

5. MATERIAL OF CONSTRUCTIONS

- E - SS316
- EL - SS316 to NACE MR01-75
- C - Carbon Steel

6. SEAL MATERIAL

- B - Buna-N
- P - EPDM
- V - Viton[®]

Viton[®] is the registered trademark of Dupont

SEALEXCEL's commitment to upgrading it's product range by way of continuous research and development programme with advance technology and cutting edge solutions to ensure best quality products at competitive price and also best delivery schedule for it's customer with objective of

A TOTAL CUSTOMER SATISFACTIONS

PRODUCT RANGE



 <p>Twin/Single Ferrule Tube Fittings</p>	 <p>37° Flare Tube Fittings To SAE J514</p>	 <p>Instrument Threaded & Welded Pipe Fittings</p>	 <p>Tube Fittings With Integral Flange</p>	 <p>Low /Medium Pressure Ball Valves</p>
 <p>High Pressure Ball Valve</p>	 <p>High Pressure 2/3 Way Ball Valve</p>	 <p>Needle Valve</p>	 <p>Needle Valves (Panel Mountable)</p>	 <p>High Pressure Needle Valve</p>
 <p>Rising Stem Plug Valves</p>	 <p>Gauge/Root Valves</p>	 <p>Instrument 2/3/5 Manifold Valves</p>	 <p>Monoflange Valves</p>	 <p>Single / Double Block & Bleed Valves</p>
 <p>Purge Valves</p>	 <p>Bleed Valves</p>	 <p>Toggle Valves</p>	 <p>Relief Valves</p>	 <p>Check Valves</p>
 <p>Micron In-line Filters</p>	 <p>Quick Connect Couplings</p>	 <p>Stainless Steel Pneumatics Fittings & Valves</p>		



SEALEXCEL[®] (INDIA) PVT. LTD.

Registered Office : 56 & 61, Veena Dalvai Industrial Estate, S. V. Road, Oshiwara, Jogeshwari (west), Mumbai - 400 102. India.
 Phone : +91-22-26786885, 26788534, 66944124
 Fax : +91-22-26781426, 66944126
 E-mail : sales@sealexcel.com, Website : <http://www.sealexcel.com>

Manufacturing Plant : At Post - Mahi, Pirojpara - Mahi Road, Via Chhapi, Taluka-vadgam, Dist-Banaskantha, North-Gujarat, Pin-385210. India