

# STAINLESS STEEL PUSH-ON-FITTINGS



SEALEXCEL® Stainless Steel Push-on-Fittings consist of Two precision components such as Body and Nut, These components have been carefully designed and manufactured to ensure consistent and reliable quality products.

These fittings are resistance to aggressive environments and corrosive fluids , which are generally used in Chemical, Food, Printing, Packaging, Marine, Pharmaceutical Industries etc.,

SEALEXCEL® Stainless Steel Push-on-Fittings are compatible with plastic tube such as PA6, PA11, PA12, polyethylene, polyurethane, PTFE etc.

## APPLICATIONS

- Pneumatic Control
- Air Supply to pneumatic machine
- Automatic devices
- Laboratories (Medical, Pharmaceutical etc.)
- Instrumentations

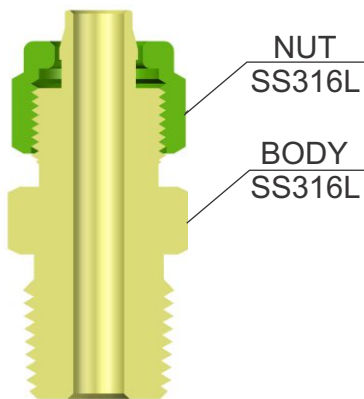
## FEATURES

- Available in Material SS316L
- Reliable leak tight sealing system
- Full Flow without pressure drop
- Tube sealing and locking by tightening the nut
- Available with NPT, BSPT, BSPP, SAE, UNIVERSAL Straight thread pipe connections

## MATERIAL OF CONSTRUCTIONS

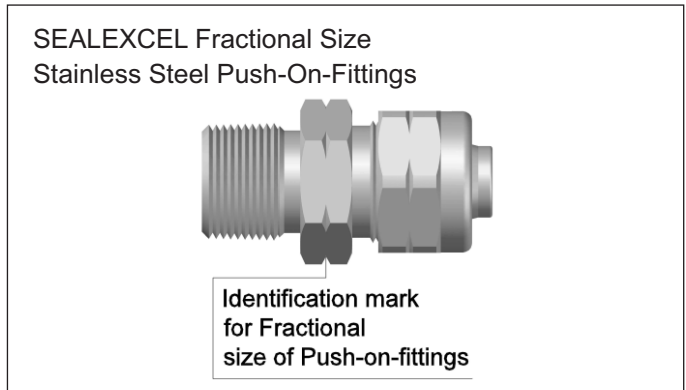
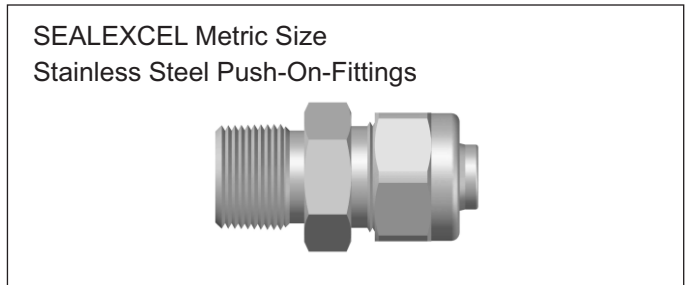
Straight Fittings - SS316L Bar stock : ASTM A 479

Shape Fittings - SS316L Forged Body : ASTM A 182



## IDENTIFICATION

SEALEXCEL® Metric and Fractional size Stainless Steel Push-on-Fittings are similar in appearances. The significant difference is in the internal diameter of the Push-on-Fittings components, hence for easy identifications between metric and fractional sizes. SEALEXCEL provided 'V' Groove on Fractional sizes of Push-on-Fittings as shown below.



## AVAILABLE SIZES :

| Metric Tube    | Fractional Tube |
|----------------|-----------------|
| <b>OD / ID</b> | <b>OD / ID</b>  |
| 6/4mm          | 1/4" - 1/8"     |
| 8/5mm          | 1/4" - 0.170    |
| 8/6mm          | 5/16" - 3/16"   |
| 10/7mm         | 3/16" - 1/4"    |
| 10/8mm         | 1/2" - 3/8"     |
| 12/9mm         | -               |
| 12/10mm        | -               |

## TOLERANCES OF OUTER DIAMETER OF TUBE :





|                       |                              |
|-----------------------|------------------------------|
| Tube ODT (Metric)     | 6mm, 8mm, 10mm : ± 0.1       |
|                       | 12 mm : ± 0.15               |
| Tube ODT (Fractional) | 1/4", 5/16", 3/8" : ± 0.004" |
|                       | 1/2" : ± 0.006"              |

## OPERATING PARAMETERS :

Pressure : upto 290 PSI (20 bar)

Temperature : upto 160°C depends on tube material

## INSTALLATION INSTRUCTIONS :

|   |   |
|---|---|
| <ul style="list-style-type: none"> <li>For Tube: PA6<br/>PA11<br/>PA12<br/>Polyethylene<br/>Polyurethane<br/>PTFE</li> </ul>                                |  |
| <ul style="list-style-type: none"> <li>Ensure that the end of tube is cut square (90°) and free from burs and sharp edges</li> </ul>                        |   |
| <ul style="list-style-type: none"> <li>Insert the Nut on the Tube</li> </ul>  |   |
| <ul style="list-style-type: none"> <li>Insert the tube by hand on the fitting nozzle and make sure that the tube rest on the nozzle base firmly.</li> </ul> |   |
| <ul style="list-style-type: none"> <li>Tighten the Nut by hand or if necessary by a spanner.</li> </ul>   |   |

## ORDERING INFORMATION :

The part Number describes complete assembly of SEALEXCEL Push-on Fittings.

Example: For Metric size : PNOPMC-6/4-4EO/ELV

| PNOPMC                  | 6/4        | 4           | EO                  | EL       | V        |
|-------------------------|------------|-------------|---------------------|----------|----------|
| Type of Fitting         | TUBE OD/ID | Pipe Thread | Type of Pipe Thread | Material | 'O' Ring |
| Parallel Male Connector | 6mm/4mm    | 1/4"        | BSP                 | SS 316L  | VITON®   |

Example: For Fractional size : PNOGMT-250/2-4N-EL

| PNOGMT               | 250/2      | 4           | N                   | EL       |
|----------------------|------------|-------------|---------------------|----------|
| Type of Fitting      | TUBE OD/ID | Pipe Thread | Type of Pipe Thread | Material |
| Taper Male Connector | 1/4"-1/8"  | 1/4"        | NPT                 | SS 316L  |

## SIZE CODE DESCRIPTION :

| Tube Size in Metric |      |         | Tube Size in Fractional |        |        | Pipe Thread size |   |
|---------------------|------|---------|-------------------------|--------|--------|------------------|---|
| Size                |      | Size    | Size                    |        | Size   | Code             |   |
| OD                  | ID   | Code    | OD                      | ID     | Code   |                  |   |
| 6mm                 | 4mm  | 6/4mm   | 1/4"                    | 0.170" | 250/17 | 1/8"             | 2 |
| 8mm                 | 5mm  | 8/5mm   | 1/4"                    | 1/8"   | 250/2  | 1/4"             | 4 |
| 8mm                 | 6mm  | 8/6mm   | 5/16"                   | 3/16"  | 312/3  | 3/8"             | 6 |
| 10mm                | 7mm  | 10/7mm  | 3/8"                    | 1/4"   | 375/4  | 1/2"             | 8 |
| 10mm                | 8mm  | 10/8mm  | 1/2"                    | 3/8"   | 500/6  |                  |   |
| 12mm                | 9mm  | 12/9mm  |                         |        |        |                  |   |
| 12mm                | 10mm | 12/10mm |                         |        |        |                  |   |

## THREAD CODE DESCRIPTION

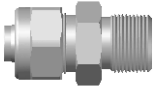
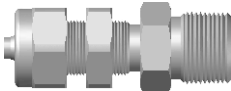
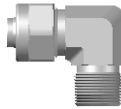
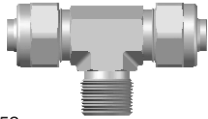
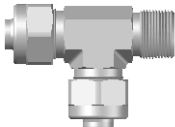

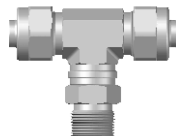
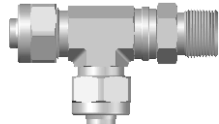
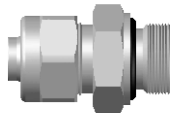

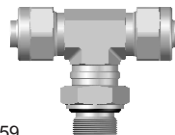
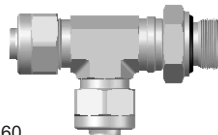
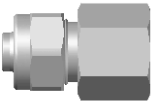
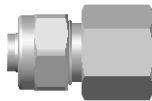

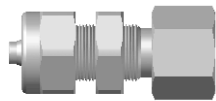
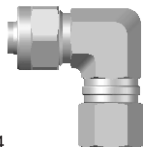
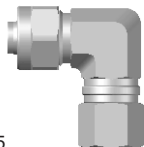
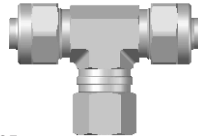
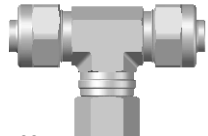
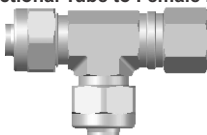
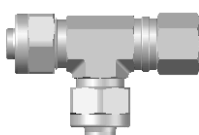
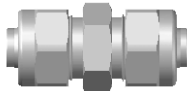
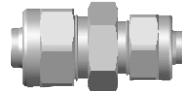
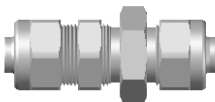
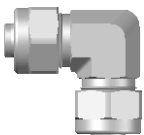
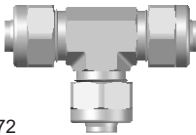

| Thread Type   | Code |
|---|------|
| NPT Thread (M/F)  | N    |
| ISO Tapered Thread - BSPT ( M/F)                        | RT   |
| ISO Parallel Thread - BSP (M) with Elastomeric 'O' Ring | EO   |
| ISO Parallel Thread - BSP (F)                           | RG   |
| Metric Thread with Elastomeric 'O' Ring                 | MEO  |
| Universal Parallel thread with 'O' Ring                 | UNI  |

## MATERIAL CODE DESCRIPTION

| Description of Material | Code |
|-------------------------|------|
| SS316L                  | EL   |
| 'O' Ring Viton®         | V    |
| 'O' Ring EPDM           | P    |

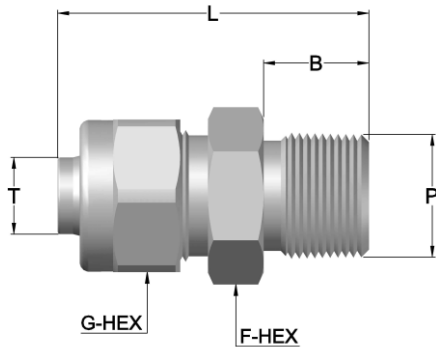
Viton® - is the Registered Trademark of Dupont.

**INDEX**

|  |  |  |  |
|--|--|--|--|
| <p><b>PNO-Taper Male Connector</b><br/>Metric Tube to Male BSPT<br/>Fractional Tube to Male NPT</p>  <p>Page 49</p>                         | <p><b>PNO-Taper Male Bulkhead Connector</b><br/>Metric Tube to Male BSPT<br/>Fractional Tube to Male NPT</p>  <p>Page 50</p>                    | <p><b>PNO-Taper Male Elbow</b><br/>Metric Tube to Male BSPT<br/>Fractional Tube to Male NPT</p>  <p>Page 51</p>                                       | <p><b>PNO-Taper Male Branch Tee</b><br/>Metric Tube to Male BSPT<br/>Fractional Tube to Male NPT</p>  <p>Page 52</p>                              |
| <p><b>PNO-Taper Male Run Tee</b><br/>Metric Tube to Male BSPT<br/>Fractional Tube to Male NPT</p>  <p>Page 53</p>                           | <p><b>PNO-Taper Male Swivel Elbow</b><br/>Metric Tube to Male BSPT<br/>Fractional Tube to Male NPT</p>  <p>Page 54</p>                          | <p><b>PNO-Taper Male Swivel Branch Tee</b><br/>Metric Tube to Male BSPT<br/>Fractional Tube to Male NPT</p>  <p>Page 55</p>                          | <p><b>PNO-Taper Male Swivel Run Tee</b><br/>Metric Tube to Male BSPT<br/>Fractional Tube to Male NPT</p>  <p>Page 56</p>                          |
| <p><b>PNO-Parallel Male Connector</b><br/>Metric Tube to Male BSP (Parallel)<br/>Fractional Tube to Male UNI (Parallel)</p>  <p>Page 57</p> | <p><b>PNO-Parallel Male Swivel Elbow</b><br/>Metric Tube to Male BSP (Parallel)<br/>Fractional Tube to Male UNI (Parallel)</p>  <p>Page 58</p> | <p><b>PNO-Parallel Male Swivel Branch Tee</b><br/>Metric Tube to Male BSP (Parallel)<br/>Fractional Tube to Male UNI (Parallel)</p>  <p>Page 59</p> | <p><b>PNO-Parallel Male Swivel Run Tee</b><br/>Metric Tube to Male BSP (Parallel)<br/>Fractional Tube to Male UNI (Parallel)</p>  <p>Page 60</p> |
| <p><b>PNO-Taper Female Connector</b><br/>Metric Tube to Female BSPT<br/>Fractional Tube to Female NPT</p>  <p>Page 61</p>                 | <p><b>PNO-Parallel Female Connector</b><br/>Metric Tube to Female BSP (Parallel)</p>  <p>Page 62</p>  | <p><b>PNO-Parallel Female Bulkhead Connector</b><br/>Metric Tube to Female BSP (Parallel)</p>  <p>Page 62</p>                                      | <p><b>PNO-Taper Female Bulkhead Connector</b><br/>Metric Tube to Female BSPT<br/>Fractional Tube to Female NPT</p>  <p>Page 63</p>              |
| <p><b>PNO-Taper Female Swivel Elbow</b><br/>Metric Tube to Female BSPT<br/>Fractional Tube to Female NPT</p>  <p>Page 64</p>              | <p><b>PNO-Parallel Female Swivel Elbow</b><br/>Metric Tube to Female BSP (Parallel)</p>  <p>Page 65</p>                                       | <p><b>PNO-Parallel Female Swivel Branch Tee</b><br/>Metric Tube to Female BSP (Parallel)</p>  <p>Page 65</p>                                       | <p><b>PNO-Taper Female Swivel Branch Tee</b><br/>Metric Tube to Female BSPT<br/>Fractional Tube to Female NPT</p>  <p>Page 66</p>               |
| <p><b>PNO-Taper Female Swivel Run Tee</b><br/>Metric Tube to Female BSPT<br/>Fractional Tube to Female NPT</p>  <p>Page 67</p>            | <p><b>PNO-Parallel Female Swivel Run Tee</b><br/>Metric Tube to Female BSP (Parallel)</p>  <p>Page 68</p>                                     | <p><b>PNO-Union</b><br/>Metric Tube to Tube<br/>Fractional Tube to Tube</p>  <p>Page 68</p>  | <p><b>PNO-Reducing Union</b><br/>Metric Tube to Tube<br/>Fractional Tube to Tube</p>  <p>Page 69</p>  |
| <p><b>PNO-Bulkhead Union</b><br/>Metric Tube to Tube<br/>Fractional Tube to Tube</p>  <p>Page 70</p>                                      | <p><b>PNO-Union Elbow</b><br/>Metric Tube to Tube<br/>Fractional Tube to Tube</p>  <p>Page 71</p>   | <p><b>PNO-Union Tee</b><br/>Metric Tube to Tube<br/>Fractional Tube to Tube</p>  <p>Page 72</p>  | <p><b>PNO-Nut</b><br/>Metric Tube<br/>Fractional Tube</p>  <p>Page 72</p>   |

## PNO - TAPER MALE CONNECTOR (PNOCMT)

### Metric Tube to Male BSPT pipe thread

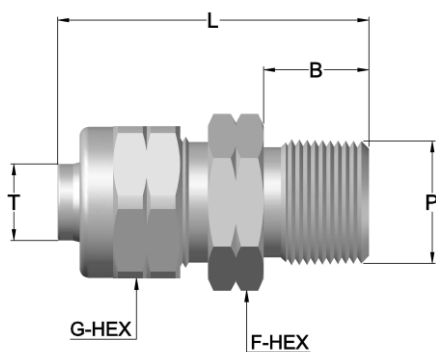


| TUBE OD/ID | PIPE THREAD | DIMENSIONS IN MILLIMETERS |      |      |       | SEALEXCEL PART NO. |
|------------|-------------|---------------------------|------|------|-------|--------------------|
|            |             | T                         | P    | B    | F-HEX |                    |
| 6/4 mm     | 1/8" BSPT   | 7.5                       | 11.0 | 13.0 | 26.5  | PNOCMT-6/4-2RT     |
| 6/4 mm     | 1/4" BSPT   | 11.0                      | 14.0 | 13.0 | 30.2  | PNOCMT-6/4-4RT     |
| 8/5 mm     | 1/8" BSPT   | 7.5                       | 14.0 | 14.0 | 28.0  | PNOCMT-8/5-2RT     |
| 8/5 mm     | 1/4" BSPT   | 11.0                      | 14.0 | 14.0 | 31.5  | PNOCMT-8/5-4RT     |
| 8/5 mm     | 3/8" BSPT   | 11.5                      | 17.0 | 14.0 | 32.4  | PNOCMT-8/5-6RT     |
| 8/6 mm     | 1/8" BSPT   | 7.5                       | 14.0 | 14.0 | 28.0  | PNOCMT-8/6-2RT     |
| 8/6 mm     | 1/4" BSPT   | 11.0                      | 14.0 | 14.0 | 31.5  | PNOCMT-8/6-4RT     |
| 8/6 mm     | 3/8" BSPT   | 11.5                      | 17.0 | 14.0 | 32.4  | PNOCMT-8/6-6RT     |
| 10/7 mm    | 1/8" BSPT   | 7.5                       | 16.0 | 16.0 | 28.4  | PNOCMT-10/7-2RT    |
| 10/7 mm    | 1/4" BSPT   | 11.0                      | 16.0 | 16.0 | 32.0  | PNOCMT-10/7-4RT    |
| 10/7 mm    | 3/8" BSPT   | 11.5                      | 17.0 | 16.0 | 32.5  | PNOCMT-10/7-6RT    |
| 10/8 mm    | 1/8" BSPT   | 7.5                       | 16.0 | 16.0 | 28.4  | PNOCMT-10/8-2RT    |
| 10/8 mm    | 1/4" BSPT   | 11.0                      | 16.0 | 16.0 | 32.0  | PNOCMT-10/8-4RT    |
| 10/8 mm    | 3/8" BSPT   | 11.5                      | 17.0 | 16.0 | 32.5  | PNOCMT-10/8-6RT    |
| 12/9 mm    | 1/4" BSPT   | 11.0                      | 17.0 | 19.0 | 33.7  | PNOCMT-12/9-4RT    |
| 12/9 mm    | 3/8" BSPT   | 11.5                      | 17.0 | 19.0 | 34.2  | PNOCMT-12/9-6RT    |
| 12/9 mm    | 1/2" BSPT   | 15.0                      | 22.0 | 19.0 | 38.0  | PNOCMT-12/9-8RT    |
| 12/10 mm   | 1/4" BSPT   | 11.0                      | 17.0 | 19.0 | 33.7  | PNOCMT-12/10-4RT   |
| 12/10 mm   | 3/8" BSPT   | 11.5                      | 17.0 | 19.0 | 34.2  | PNOCMT-12/10-6RT   |
| 12/10 mm   | 1/2" BSPT   | 15.0                      | 22.0 | 19.0 | 38.0  | PNOCMT-12/10-8RT   |

Metric Tube to Male NPT pipe thread are available on request

## PNO - TAPER MALE CONNECTOR (PNOCMT)

### Fractional Tube to Male NPT pipe thread



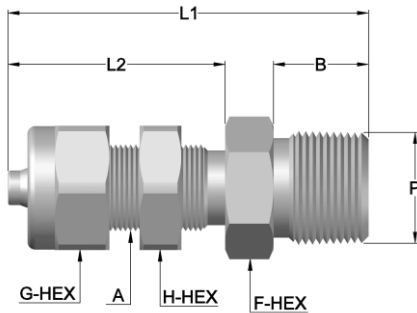
| TUBE OD/ID | PIPE THREAD | DIMENSIONS IN INCHES |       |      |       | SEALEXCEL PART NO. |
|------------|-------------|----------------------|-------|------|-------|--------------------|
|            |             | T                    | P     | B    | F-HEX |                    |
| 1/4-1/8    | 1/8 NPT     | 0.33                 | 7/16  | 1/2  | 1.08  | PNOCMT-250/2-2N    |
| 1/4-1/8    | 1/4 NPT     | 0.47                 | 9/16  | 1/2  | 1.23  | PNOCMT-250/2-4N    |
| 1/4-0.17   | 1/8 NPT     | 0.33                 | 7/16  | 1/2  | 1.08  | PNOCMT-250/17-2N   |
| 1/4-0.17   | 1/4 NPT     | 0.47                 | 9/16  | 1/2  | 1.23  | PNOCMT-250/17-4N   |
| 5/16-3/16  | 1/8 NPT     | 0.33                 | 9/16  | 9/16 | 1.14  | PNOCMT-312/3-2N    |
| 5/16-3/16  | 1/4 NPT     | 0.47                 | 9/16  | 9/16 | 1.28  | PNOCMT-312/3-4N    |
| 5/16-3/16  | 3/8 NPT     | 0.47                 | 11/16 | 9/16 | 1.30  | PNOCMT-312/3-6N    |
| 3/8-1/4    | 1/8 NPT     | 0.33                 | 5/8   | 5/8  | 1.16  | PNOCMT-375/4-2N    |
| 3/8-1/4    | 1/4 NPT     | 0.47                 | 5/8   | 5/8  | 1.30  | PNOCMT-375/4-4N    |
| 3/8-1/4    | 3/8 NPT     | 0.47                 | 11/16 | 5/8  | 1.30  | PNOCMT-375/4-6N    |
| 1/2-3/8    | 1/4 NPT     | 0.47                 | 11/16 | 3/4  | 1.37  | PNOCMT-500/6-4N    |
| 1/2-3/8    | 3/8 NPT     | 0.47                 | 11/16 | 3/4  | 1.37  | PNOCMT-500/6-6N    |
| 1/2-3/8    | 1/2 NPT     | 0.63                 | 7/8   | 3/4  | 1.54  | PNOCMT-500/6-8N    |

Fractional Tube to Male BSPT pipe thread are available on request

Dimensions for reference only, subject to change without notice

## PNO - TAPER MALE BULKHEAD CONNECTOR (PNOTMBC)

### Metric Tube to Male BSPT pipe thread

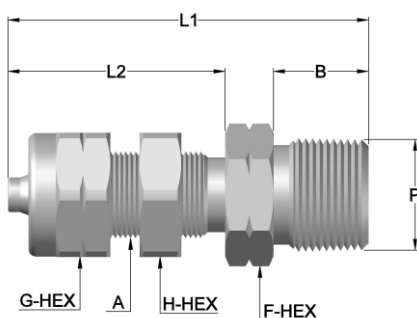


| TUBE OD/ID | PIPE THREAD | DIMENSIONS IN MILLIMETERS |      |      |      |       |       |       | SEALEXCEL PART NO. |
|------------|-------------|---------------------------|------|------|------|-------|-------|-------|--------------------|
|            |             | T                         | P    | A    | B    | F-HEX | G-HEX | H-HEX |                    |
| 6/4 mm     | 1/8" BSPT   | M10 x 1                   | 7.5  | 14.0 | 13.0 | 14.0  | 37.5  | 25.0  | PNOTMBC-6/4-2RT    |
| 6/4 mm     | 1/4" BSPT   | M10 x 1                   | 11.0 | 17.0 | 13.0 | 17.0  | 41.5  | 25.0  | PNOTMBC-6/4-4RT    |
| 8/5 mm     | 1/8" BSPT   | M12 x 1                   | 7.5  | 16.0 | 14.0 | 16.0  | 38.5  | 26.0  | PNOTMBC-8/5-2RT    |
| 8/5 mm     | 1/4" BSPT   | M12 x 1                   | 11.0 | 17.0 | 14.0 | 17.0  | 42.5  | 26.0  | PNOTMBC-8/5-4RT    |
| 8/5 mm     | 3/8" BSPT   | M12 x 1                   | 11.5 | 20.6 | 14.0 | 20.6  | 43.3  | 26.0  | PNOTMBC-8/5-6RT    |
| 8/6 mm     | 1/8" BSPT   | M12 x 1                   | 7.5  | 16.0 | 14.0 | 16.0  | 38.5  | 26.0  | PNOTMBC-8/6-2RT    |
| 8/6 mm     | 1/4" BSPT   | M12 x 1                   | 11.0 | 17.0 | 14.0 | 17.0  | 42.5  | 26.0  | PNOTMBC-8/6-4RT    |
| 8/6 mm     | 3/8" BSPT   | M12 x 1                   | 11.5 | 20.6 | 14.0 | 20.6  | 43.3  | 26.0  | PNOTMBC-8/6-6RT    |
| 10/7 mm    | 1/4" BSPT   | M14 x 1                   | 11.0 | 19.0 | 16.0 | 19.0  | 42.5  | 26.0  | PNOTMBC-10/7-4RT   |
| 10/7 mm    | 3/8" BSPT   | M14 x 1                   | 11.5 | 20.6 | 16.0 | 20.6  | 43.3  | 26.0  | PNOTMBC-10/7-6RT   |
| 10/8 mm    | 1/4" BSPT   | M14 x 1                   | 11.0 | 19.0 | 16.0 | 19.0  | 42.5  | 26.0  | PNOTMBC-10/8-4RT   |
| 10/8 mm    | 3/8" BSPT   | M14 x 1                   | 11.5 | 20.6 | 16.0 | 20.6  | 43.3  | 26.0  | PNOTMBC-10/8-6RT   |
| 12/9 mm    | 1/4" BSPT   | M16 x 1                   | 11.0 | 20.6 | 19.0 | 20.6  | 44.8  | 28.0  | PNOTMBC-12/9-4RT   |
| 12/9 mm    | 3/8" BSPT   | M16 x 1                   | 11.5 | 20.6 | 19.0 | 20.6  | 45.3  | 28.0  | PNOTMBC-12/9-6RT   |
| 12/10 mm   | 1/4" BSPT   | M16 x 1                   | 11.0 | 20.6 | 19.0 | 20.6  | 44.8  | 28.0  | PNOTMBC-12/10-4RT  |
| 12/10 mm   | 3/8" BSPT   | M16 x 1                   | 11.5 | 20.6 | 19.0 | 20.6  | 45.3  | 28.0  | PNOTMBC-12/10-6RT  |

Metric Tube to Male NPT pipe thread are available on request

## PNO - TAPER MALE BULKHEAD CONNECTOR (PNOTMBC)

### Fractional Tube to Male NPT pipe thread



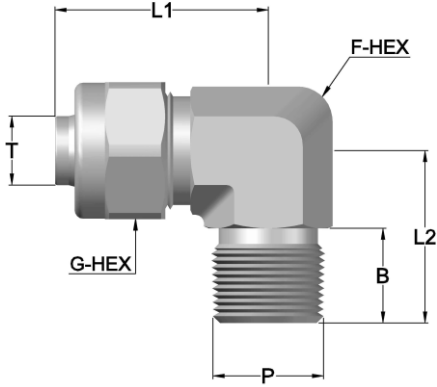
| TUBE OD/ID | PIPE THREAD | DIMENSIONS IN MILLIMETERS/INCHES |      |       |      |       |       |       | SEALEXCEL PART NO. |
|------------|-------------|----------------------------------|------|-------|------|-------|-------|-------|--------------------|
|            |             | T                                | P    | A     | B    | F-HEX | G-HEX | H-HEX |                    |
| 1/4-1/8    | 1/8 NPT     | M10 x 1                          | 0.33 | 9/16  | 1/2  | 9/16  | 1.52  | 1.02  | PNOTMBC-250/2-2N   |
| 1/4-1/8    | 1/4 NPT     | M10 x 1                          | 0.47 | 11/16 | 1/2  | 11/16 | 1.67  | 1.00  | PNOTMBC-250/2-4N   |
| 1/4-0.17   | 1/8 NPT     | M10 x 1                          | 0.33 | 9/16  | 1/2  | 9/16  | 1.52  | 1.02  | PNOTMBC-250/17-2N  |
| 1/4-0.17   | 1/4 NPT     | M10 x 1                          | 0.47 | 11/16 | 1/2  | 11/16 | 1.67  | 1.00  | PNOTMBC-250/17-4N  |
| 5/16-3/16  | 1/8 NPT     | M12 x 1                          | 0.33 | 5/8   | 9/16 | 5/8   | 1.52  | 1.06  | PNOTMBC-312/3-2N   |
| 5/16-3/16  | 1/4 NPT     | M12 x 1                          | 0.47 | 11/16 | 9/16 | 11/16 | 1.71  | 1.04  | PNOTMBC-312/3-4N   |
| 5/16-3/16  | 3/8 NPT     | M12 x 1                          | 0.47 | 13/16 | 9/16 | 13/16 | 1.72  | 1.02  | PNOTMBC-312/3-6N   |
| 3/8-1/4    | 1/4 NPT     | M14 x 1                          | 0.47 | 3/4   | 5/8  | 3/4   | 1.71  | 1.04  | PNOTMBC-375/4-4N   |
| 3/8-1/4    | 3/8 NPT     | M14 x 1                          | 0.47 | 13/16 | 5/8  | 13/16 | 1.72  | 1.02  | PNOTMBC-375/4-6N   |
| 1/2-3/8    | 1/4 NPT     | M16 x 1                          | 0.47 | 13/16 | 3/4  | 13/16 | 1.80  | 1.12  | PNOTMBC-500/6-4N   |
| 1/2-3/8    | 3/8 NPT     | M16 x 1                          | 0.47 | 13/16 | 3/4  | 13/16 | 1.80  | 1.10  | PNOTMBC-500/6-6N   |

Fractional Tube to Male BSPT pipe thread are available on request

Dimensions for reference only, subject to change without notice

## PNO - TAPER MALE ELBOW (PNOTEM)

### Metric Tube to Male BSPT pipe thread

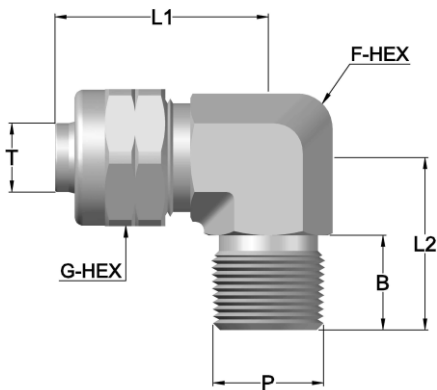


| TUBE OD/ID | PIPE THREAD | DIMENSIONS IN MILLIMETER |      |      |       |       | SEALEXCEL PART NO. |
|------------|-------------|--------------------------|------|------|-------|-------|--------------------|
|            |             | T                        | P    | B    | F-HEX | G-HEX |                    |
| 6/4 mm     | 1/8" BSPT   | 7.5                      | 10.0 | 13.0 | 21.5  | 15.5  | PNOTEM-6/4-2RT     |
| 6/4 mm     | 1/4" BSPT   | 11.0                     | 12.0 | 13.0 | 22.2  | 19.5  | PNOTEM-6/4-4RT     |
| 8/5 mm     | 1/8" BSPT   | 7.5                      | 12.0 | 14.0 | 23.7  | 16.0  | PNOTEM-8/5-2RT     |
| 8/5 mm     | 1/4" BSPT   | 11.0                     | 12.0 | 14.0 | 23.7  | 19.5  | PNOTEM-8/5-4RT     |
| 8/5 mm     | 3/8" BSPT   | 11.5                     | 16.0 | 14.0 | 26.0  | 20.0  | PNOTEM-8/5-6RT     |
| 8/6 mm     | 1/8" BSPT   | 7.5                      | 12.0 | 14.0 | 23.7  | 16.0  | PNOTEM-8/6-2RT     |
| 8/6 mm     | 1/4" BSPT   | 11.0                     | 12.0 | 14.0 | 23.7  | 19.5  | PNOTEM-8/6-4RT     |
| 8/6 mm     | 3/8" BSPT   | 11.5                     | 16.0 | 14.0 | 26.0  | 20.0  | PNOTEM-8/6-6RT     |
| 10/7 mm    | 1/4" BSPT   | 11.0                     | 14.0 | 16.0 | 24.8  | 20.5  | PNOTEM-10/7-4RT    |
| 10/7 mm    | 3/8" BSPT   | 11.5                     | 16.0 | 16.0 | 26.0  | 22.0  | PNOTEM-10/7-6RT    |
| 10/8 mm    | 1/4" BSPT   | 11.0                     | 14.0 | 16.0 | 24.8  | 20.5  | PNOTEM-10/8-4RT    |
| 10/8 mm    | 3/8" BSPT   | 11.5                     | 16.0 | 16.0 | 26.0  | 22.0  | PNOTEM-10/8-6RT    |
| 12/9mm     | 1/4" BSPT   | 11.0                     | 16.0 | 19.0 | 27.6  | 21.5  | PNOTEM-12/9-4RT    |
| 12/9 mm    | 3/8" BSPT   | 11.5                     | 16.0 | 19.0 | 27.6  | 22.0  | PNOTEM-12/9-6RT    |
| 12/9 mm    | 1/2" BSPT   | 15.0                     | 22.0 | 19.0 | 31.5  | 29.5  | PNOTEM-12/9-8RT    |
| 12/10 mm   | 1/4" BSPT   | 11.0                     | 16.0 | 19.0 | 27.6  | 21.5  | PNOTEM-12/10-4RT   |
| 12/10 mm   | 3/8" BSPT   | 11.5                     | 16.0 | 19.0 | 27.6  | 22.0  | PNOTEM-12/10-6RT   |
| 12/10 mm   | 1/2" BSPT   | 15.0                     | 22.0 | 19.0 | 31.5  | 29.5  | PNOTEM-12/10-8RT   |

Metric Tube to Male NPT pipe thread are available on request

## PNO - TAPER MALE ELBOW (PNOTEM)

### Fractional Tube to Male NPT pipe thread



| TUBE OD/ID | PIPE THREAD | DIMENSIONS IN INCHES |      |      |       |       | SEALEXCEL PART NO. |
|------------|-------------|----------------------|------|------|-------|-------|--------------------|
|            |             | T                    | P    | B    | F-HEX | G-HEX |                    |
| 1/4-1/8    | 1/8 NPT     | 0.33                 | 0.39 | 1/2  | 0.89  | 0.65  | PNOTEM-250/2-2N    |
| 1/4-1/8    | 1/4 NPT     | 0.47                 | 0.47 | 1/2  | 0.91  | 0.81  | PNOTEM-250/2-4N    |
| 1/4-0.17   | 1/8 NPT     | 0.33                 | 0.39 | 1/2  | 0.89  | 0.65  | PNOTEM-250/17-2N   |
| 1/4-0.17   | 1/4 NPT     | 0.47                 | 0.47 | 1/2  | 0.91  | 0.81  | PNOTEM-250/17-4N   |
| 5/16-3/16  | 1/8 NPT     | 0.33                 | 0.47 | 9/16 | 0.97  | 0.67  | PNOTEM-312/3-2N    |
| 5/16-3/16  | 1/4 NPT     | 0.47                 | 0.47 | 9/16 | 0.97  | 0.81  | PNOTEM-312/3-4N    |
| 5/16-3/16  | 3/8 NPT     | 0.47                 | 0.63 | 9/16 | 1.06  | 0.81  | PNOTEM-312/3-6N    |
| 3/8-1/4    | 1/4 NPT     | 0.47                 | 0.55 | 5/8  | 1.02  | 0.85  | PNOTEM-375/4-4N    |
| 3/8-1/4    | 3/8 NPT     | 0.47                 | 0.63 | 5/8  | 1.04  | 0.89  | PNOTEM-375/4-6N    |
| 1/2-3/8    | 1/4 NPT     | 0.47                 | 0.63 | 3/4  | 1.13  | 0.89  | PNOTEM-500/6-4N    |
| 1/2-3/8    | 3/8 NPT     | 0.47                 | 0.63 | 3/4  | 1.11  | 0.89  | PNOTEM-500/6-6N    |
| 1/2-3/8    | 1/2 NPT     | 0.63                 | 0.87 | 3/4  | 1.28  | 1.20  | PNOTEM-500/6-8N    |

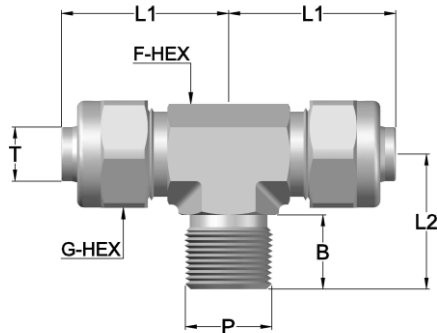
Fractional Tube to Male BSPT pipe thread are available on request

Dimensions for reference only, subject to change without notice



## PNO - TAPER MALE BRANCH TEE (PNOTMBT)

### Metric Tube to Male BSPT pipe thread

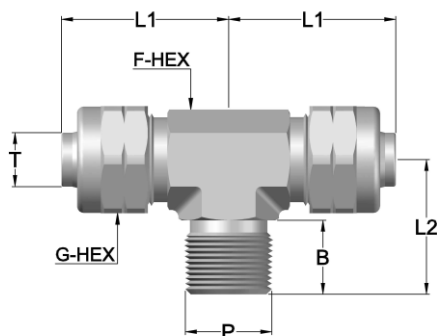


| TUBE OD/ID | PIPE THREAD | DIMENSIONS IN MILLIMETERS |       |       |      |      | SEALEXCEL PART NO. |
|------------|-------------|---------------------------|-------|-------|------|------|--------------------|
|            |             | B                         | F-HEX | G-HEX | L1   | L2   |                    |
| 6/4 mm     | 1/8" BSPT   | 7.5                       | 10.0  | 13.0  | 21.5 | 15.5 | PNOTMBT-6/4-2RT    |
| 6/4 mm     | 1/4" BSPT   | 11.0                      | 12.0  | 13.0  | 22.2 | 19.5 | PNOTMBT-6/4-4RT    |
| 8/5 mm     | 1/8" BSPT   | 7.5                       | 12.0  | 14.0  | 23.7 | 16.0 | PNOTMBT-8/5-2RT    |
| 8/5 mm     | 1/4" BSPT   | 11.0                      | 12.0  | 14.0  | 23.7 | 19.5 | PNOTMBT-8/5-4RT    |
| 8/5 mm     | 3/8" BSPT   | 11.5                      | 16.0  | 14.0  | 26.0 | 20.0 | PNOTMBT-8/5-6RT    |
| 8/6 mm     | 1/8" BSPT   | 7.5                       | 12.0  | 14.0  | 23.7 | 16.0 | PNOTMBT-8/6-2RT    |
| 8/6 mm     | 1/4" BSPT   | 11.0                      | 12.0  | 14.0  | 23.7 | 19.5 | PNOTMBT-8/6-4RT    |
| 8/6 mm     | 3/8" BSPT   | 11.5                      | 16.0  | 14.0  | 26.0 | 20.0 | PNOTMBT-8/6-6RT    |
| 10/7 mm    | 1/4" BSPT   | 11.0                      | 14.0  | 16.0  | 24.8 | 20.5 | PNOTMBT-10/7-4RT   |
| 10/7 mm    | 3/8" BSPT   | 11.5                      | 16.0  | 16.0  | 26.0 | 22.0 | PNOTMBT-10/7-6RT   |
| 10/8 mm    | 1/4" BSPT   | 11.0                      | 14.0  | 16.0  | 24.8 | 20.5 | PNOTMBT-10/8-4RT   |
| 10/8 mm    | 3/8" BSPT   | 11.5                      | 16.0  | 16.0  | 26.0 | 22.0 | PNOTMBT-10/8-6RT   |
| 12/9 mm    | 1/4" BSPT   | 11.0                      | 16.0  | 19.0  | 27.6 | 21.5 | PNOTMBT-12/9-4RT   |
| 12/9 mm    | 3/8" BSPT   | 11.5                      | 16.0  | 19.0  | 27.6 | 22.0 | PNOTMBT-12/9-6RT   |
| 12/9 mm    | 1/2" BSPT   | 15.0                      | 22.0  | 19.0  | 31.5 | 29.5 | PNOTMBT-12/9-8RT   |
| 12/10 mm   | 1/4" BSPT   | 11.0                      | 16.0  | 19.0  | 27.6 | 21.5 | PNOTMBT-12/10-4RT  |
| 12/10 mm   | 3/8" BSPT   | 11.5                      | 16.0  | 19.0  | 27.6 | 22.0 | PNOTMBT-12/10-6RT  |
| 12/10 mm   | 1/2" BSPT   | 15.0                      | 22.0  | 19.0  | 31.5 | 29.5 | PNOTMBT-12/10-8RT  |

Metric Tube to Male NPT pipe thread are available on request

## PNO - TAPER MALE BRANCH TEE (PNOTMBT)

### Fractional Tube to Male NPT pipe threads



| TUBE OD/ID | PIPE THREAD | DIMENSIONS IN INCHES |       |       |      |      | SEALEXCEL PART NO. |
|------------|-------------|----------------------|-------|-------|------|------|--------------------|
|            |             | B                    | F-HEX | G-HEX | L1   | L2   |                    |
| 1/4-1/8    | 1/8 NPT     | 0.33                 | 0.39  | 1/2   | 0.85 | 0.65 | PNOTMBT-250/2-2N   |
| 1/4-1/8    | 1/4 NPT     | 0.47                 | 0.47  | 1/2   | 0.87 | 0.81 | PNOTMBT-250/2-4N   |
| 1/4-0.17   | 1/8 NPT     | 0.33                 | 0.39  | 1/2   | 0.85 | 0.65 | PNOTMBT-250/17-2N  |
| 1/4-0.17   | 1/4 NPT     | 0.47                 | 0.47  | 1/2   | 0.87 | 0.81 | PNOTMBT-250/17-4N  |
| 5/16-3/16  | 1/8 NPT     | 0.33                 | 0.47  | 9/16  | 0.93 | 0.67 | PNOTMBT-312/3-2N   |
| 5/16-3/16  | 1/4 NPT     | 0.47                 | 0.47  | 9/16  | 0.93 | 0.81 | PNOTMBT-312/3-4N   |
| 5/16-3/16  | 3/8 NPT     | 0.47                 | 0.63  | 9/16  | 1.02 | 0.81 | PNOTMBT-312/3-6N   |
| 3/8-1/4    | 1/4 NPT     | 0.47                 | 0.55  | 5/8   | 0.98 | 0.85 | PNOTMBT-375/4-4N   |
| 3/8-1/4    | 3/8 NPT     | 0.47                 | 0.63  | 5/8   | 1.02 | 0.89 | PNOTMBT-375/4-6N   |
| 1/2-3/8    | 1/4 NPT     | 0.47                 | 0.63  | 3/4   | 1.09 | 0.89 | PNOTMBT-500/6-4N   |
| 1/2-3/8    | 3/8 NPT     | 0.47                 | 0.63  | 3/4   | 1.09 | 0.89 | PNOTMBT-500/6-6N   |
| 1/2-3/8    | 1/2 NPT     | 0.63                 | 0.87  | 3/4   | 1.24 | 1.20 | PNOTMBT-500/6-8N   |

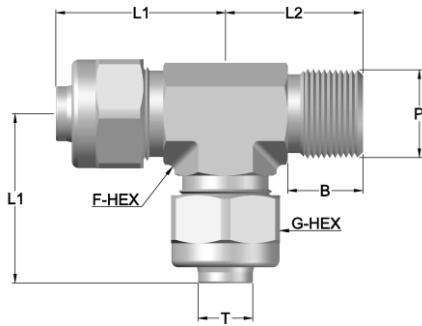
Fractional Tube to Male BSPT pipe threads are available on request

Dimensions for reference only, subject to change without notice



## PNO - TAPER MALE RUN TEE (PNOTMRT)

### Metric Tube to Male BSPT pipe thread

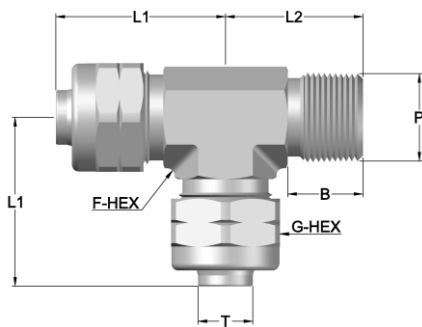


| TUBE OD/ID | PIPE THREAD | DIMENSIONS IN MILLIMETERS |       |       |      |      | SEALEXCEL PART NO. |
|------------|-------------|---------------------------|-------|-------|------|------|--------------------|
|            |             | B                         | F-HEX | G-HEX | L1   | L2   |                    |
| 6/4 mm     | 1/8" BSPT   | 7.5                       | 10.0  | 13.0  | 21.5 | 15.5 | PNOTMRT-6/4-2RT    |
| 6/4 mm     | 1/4" BSPT   | 11.0                      | 12.0  | 13.0  | 22.3 | 19.5 | PNOTMRT-6/4-4RT    |
| 8/5 mm     | 1/8" BSPT   | 7.5                       | 12.0  | 14.0  | 23.7 | 16.0 | PNOTMRT-8/5-2RT    |
| 8/5 mm     | 1/4" BSPT   | 11.0                      | 12.0  | 14.0  | 23.7 | 19.5 | PNOTMRT-8/5-4RT    |
| 8/5 mm     | 3/8" BSPT   | 11.5                      | 16.0  | 14.0  | 26.0 | 20.0 | PNOTMRT-8/5-6RT    |
| 8/6 mm     | 1/8" BSPT   | 7.5                       | 12.0  | 14.0  | 23.7 | 16.0 | PNOTMRT-8/6-2RT    |
| 8/6 mm     | 1/4" BSPT   | 11.0                      | 12.0  | 14.0  | 23.7 | 19.5 | PNOTMRT-8/6-4RT    |
| 8/6 mm     | 3/8" BSPT   | 11.5                      | 16.0  | 14.0  | 26.0 | 20.0 | PNOTMRT-8/6-6RT    |
| 10/7 mm    | 1/4" BSPT   | 11.0                      | 14.0  | 16.0  | 24.8 | 20.5 | PNOTMRT-10/7-4RT   |
| 10/7 mm    | 3/8" BSPT   | 11.5                      | 16.0  | 16.0  | 26.0 | 22.0 | PNOTMRT-10/7-6RT   |
| 10/8 mm    | 1/4" BSPT   | 11.0                      | 14.0  | 16.0  | 24.8 | 20.5 | PNOTMRT-10/8-4RT   |
| 10/8 mm    | 3/8" BSPT   | 11.5                      | 16.0  | 16.0  | 26.0 | 22.0 | PNOTMRT-10/8-6RT   |
| 12/9 mm    | 1/4" BSPT   | 11.0                      | 16.0  | 19.0  | 27.6 | 21.5 | PNOTMRT-12/9-4RT   |
| 12/9 mm    | 3/8" BSPT   | 11.5                      | 16.0  | 19.0  | 27.6 | 22.0 | PNOTMRT-12/9-6RT   |
| 12/9 mm    | 1/2" BSPT   | 15.0                      | 22.0  | 19.0  | 31.5 | 29.5 | PNOTMRT-12/9-8RT   |
| 12/10 mm   | 1/4" BSPT   | 11.0                      | 16.0  | 19.0  | 27.6 | 21.5 | PNOTMRT-12/10-4RT  |
| 12/10 mm   | 3/8" BSPT   | 11.5                      | 16.0  | 19.0  | 27.6 | 22.0 | PNOTMRT-12/10-6RT  |
| 12/10 mm   | 1/2" BSPT   | 15.0                      | 22.0  | 19.0  | 31.5 | 29.5 | PNOTMRT-12/10-8RT  |

Metric Tube to Male NPT pipe thread are available on request

## PNO - TAPER MALE RUN TEE (PNOTMRT)

### Fractional Tube to Male NPT pipe thread

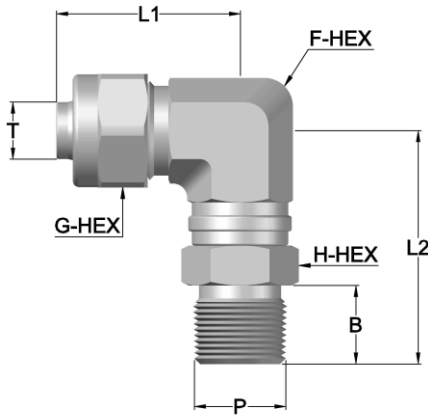


| TUBE OD/ID | PIPE THREAD | DIMENSIONS IN INCHES |       |       |      |      | SEALEXCEL PART NO. |
|------------|-------------|----------------------|-------|-------|------|------|--------------------|
|            |             | B                    | F-HEX | G-HEX | L1   | L2   |                    |
| 1/4-1/8    | 1/8 NPT     | 0.33                 | 0.39  | 1/2   | 0.85 | 0.65 | PNOTMRT-250/2-2N   |
| 1/4-1/8    | 1/4 NPT     | 0.47                 | 0.47  | 1/2   | 0.87 | 0.81 | PNOTMRT-250/2-4N   |
| 1/4-0.17   | 1/8 NPT     | 0.33                 | 0.39  | 1/2   | 0.85 | 0.65 | PNOTMRT-250/17-2N  |
| 1/4-0.17   | 1/4 NPT     | 0.47                 | 0.47  | 1/2   | 0.87 | 0.81 | PNOTMRT-250/17-4N  |
| 5/16-3/16  | 1/8 NPT     | 0.33                 | 0.47  | 9/16  | 0.93 | 0.67 | PNOTMRT-312/3-2N   |
| 5/16-3/16  | 1/4 NPT     | 0.47                 | 0.47  | 9/16  | 0.93 | 0.81 | PNOTMRT-312/3-4N   |
| 5/16-3/16  | 3/8 NPT     | 0.47                 | 0.63  | 9/16  | 1.02 | 0.81 | PNOTMRT-312/3-6N   |
| 3/8-1/4    | 1/4 NPT     | 0.47                 | 0.55  | 5/8   | 0.98 | 0.85 | PNOTMRT-375/4-4N   |
| 3/8-1/4    | 3/8 NPT     | 0.47                 | 0.63  | 5/8   | 1.02 | 0.89 | PNOTMRT-375/4-6N   |
| 1/2-3/8    | 1/4 NPT     | 0.47                 | 0.63  | 3/4   | 1.09 | 0.89 | PNOTMRT-500/6-4N   |
| 1/2-3/8    | 3/8 NPT     | 0.47                 | 0.63  | 3/4   | 1.09 | 0.89 | PNOTMRT-500/6-6N   |
| 1/2-3/8    | 1/2 NPT     | 0.63                 | 0.87  | 3/4   | 1.24 | 1.20 | PNOTMRT-500/6-8N   |

Fractional Tube to Male BSPT pipe thread are available on request

Dimensions for reference only, subject to change without notice

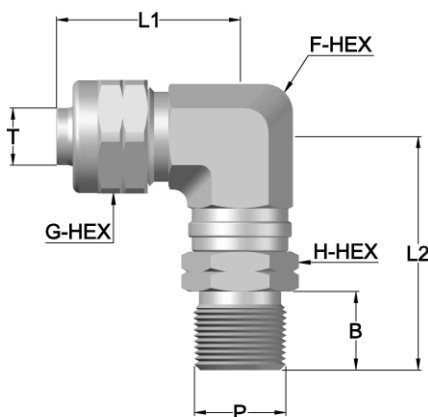
## PNO - TAPER MALE SWIVEL ELBOW (PNOTMSE) Metric Tube to Male BSPT pipe thread



| TUBE OD/ID | PIPE THREAD | DIMENSIONS IN MILLIMETERS |       |       |       |      |      | SEALEXCEL PART NO. |
|------------|-------------|---------------------------|-------|-------|-------|------|------|--------------------|
|            |             | B                         | F-HEX | G-HEX | H-HEX | L1   | L2   |                    |
| 6/4 mm     | 1/8" BSPT   | 7.5                       | 10.0  | 13.0  | 11.0  | 21.5 | 25.6 | PNOTMSE-6/4-2RT    |
| 6/4 mm     | 1/4" BSPT   | 11.0                      | 10.0  | 13.0  | 14.0  | 21.5 | 29.3 | PNOTMSE-6/4-4RT    |
| 8/5 mm     | 1/8" BSPT   | 7.5                       | 12.0  | 14.0  | 13.0  | 23.7 | 26.8 | PNOTMSE-8/5-2RT    |
| 8/5 mm     | 1/4" BSPT   | 11.0                      | 12.0  | 14.0  | 14.0  | 23.7 | 30.5 | PNOTMSE-8/5-4RT    |
| 8/5 mm     | 3/8" BSPT   | 11.5                      | 12.0  | 14.0  | 17.0  | 23.7 | 31.3 | PNOTMSE-8/5-6RT    |
| 8/6 mm     | 1/8" BSPT   | 7.5                       | 12.0  | 14.0  | 13.0  | 23.7 | 26.8 | PNOTMSE-8/6-2RT    |
| 8/6 mm     | 1/4" BSPT   | 11.0                      | 12.0  | 14.0  | 14.0  | 23.7 | 30.5 | PNOTMSE-8/6-4RT    |
| 8/6 mm     | 3/8" BSPT   | 11.5                      | 12.0  | 14.0  | 17.0  | 23.7 | 31.3 | PNOTMSE-8/6-6RT    |
| 10/7 mm    | 1/4" BSPT   | 11.0                      | 14.0  | 16.0  | 14.0  | 24.8 | 31.5 | PNOTMSE-10/7-4RT   |
| 10/7 mm    | 3/8" BSPT   | 11.5                      | 14.0  | 16.0  | 17.0  | 24.8 | 32.3 | PNOTMSE-10/7-6RT   |
| 10/8 mm    | 1/4" BSPT   | 11.0                      | 14.0  | 16.0  | 14.0  | 24.8 | 31.5 | PNOTMSE-10/8-4RT   |
| 10/8 mm    | 3/8" BSPT   | 11.5                      | 14.0  | 16.0  | 17.0  | 24.8 | 32.3 | PNOTMSE-10/8-6RT   |
| 12/9 mm    | 1/4" BSPT   | 11.0                      | 16.0  | 19.0  | 16.0  | 27.6 | 33.0 | PNOTMSE-12/9-4RT   |
| 12/9 mm    | 3/8" BSPT   | 11.5                      | 16.0  | 19.0  | 17.0  | 27.6 | 33.7 | PNOTMSE-12/9-6RT   |
| 12/9 mm    | 1/2" BSPT   | 15.0                      | 16.0  | 19.0  | 22.0  | 27.6 | 37.5 | PNOTMSE-12/9-8RT   |
| 12/10 mm   | 1/4" BSPT   | 11.0                      | 16.0  | 19.0  | 16.0  | 27.6 | 33.0 | PNOTMSE-12/10-4RT  |
| 12/10 mm   | 3/8" BSPT   | 11.5                      | 16.0  | 19.0  | 17.0  | 27.6 | 33.7 | PNOTMSE-12/10-6RT  |
| 12/10 mm   | 1/2" BSPT   | 15.0                      | 16.0  | 19.0  | 22.0  | 27.6 | 37.5 | PNOTMSE-12/10-8RT  |

Metric Tube to Male NPT pipe thread are available on request

## PNO - TAPER MALE SWIVEL ELBOW (PNOTMSE) Fractional Tube to Male NPT pipe thread

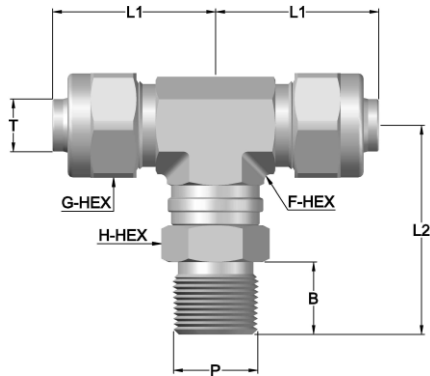


| TUBE OD/ID | PIPE THREAD | DIMENSIONS IN INCHES |       |       |       |      |      | SEALEXCEL PART NO. |
|------------|-------------|----------------------|-------|-------|-------|------|------|--------------------|
|            |             | B                    | F-HEX | G-HEX | H-HEX | L1   | L2   |                    |
| 1/4-1/8    | 1/8 NPT     | 0.33                 | 0.39  | 1/2   | 7/16  | 0.85 | 1.05 | PNOTMSE-250/2-2N   |
| 1/4-1/8    | 1/4 NPT     | 0.47                 | 0.39  | 1/2   | 9/16  | 0.85 | 1.19 | PNOTMSE-250/2-4N   |
| 1/4-0.17   | 1/8 NPT     | 0.33                 | 0.39  | 1/2   | 7/16  | 0.85 | 1.05 | PNOTMSE-250/17-2N  |
| 1/4-0.17   | 1/4 NPT     | 0.47                 | 0.39  | 1/2   | 9/16  | 0.85 | 1.19 | PNOTMSE-250/17-4N  |
| 5/16-3/16  | 1/8 NPT     | 0.33                 | 0.47  | 9/16  | 1/2   | 0.93 | 1.09 | PNOTMSE-312/3-2N   |
| 5/16-3/16  | 1/4 NPT     | 0.47                 | 0.47  | 9/16  | 9/16  | 0.93 | 1.24 | PNOTMSE-312/3-4N   |
| 5/16-3/16  | 3/8 NPT     | 0.47                 | 0.47  | 9/16  | 11/16 | 0.93 | 1.25 | PNOTMSE-312/3-6N   |
| 3/8-1/4    | 1/4 NPT     | 0.47                 | 0.55  | 5/8   | 9/16  | 0.98 | 1.28 | PNOTMSE-375/4-4N   |
| 3/8-1/4    | 3/8 NPT     | 0.47                 | 0.55  | 5/8   | 11/16 | 0.98 | 1.29 | PNOTMSE-375/4-6N   |
| 1/2-3/8    | 1/4 NPT     | 0.47                 | 0.63  | 3/4   | 5/8   | 1.09 | 1.34 | PNOTMSE-500/6-4N   |
| 1/2-3/8    | 3/8 NPT     | 0.47                 | 0.63  | 3/4   | 11/16 | 1.09 | 1.35 | PNOTMSE-500/6-6N   |
| 1/2-3/8    | 1/2 NPT     | 0.63                 | 0.63  | 3/4   | 7/8   | 1.09 | 1.52 | PNOTMSE-500/6-8N   |

Fractional Tube to Male BSPT pipe thread are available on request

Dimensions for reference only, subject to change without notice

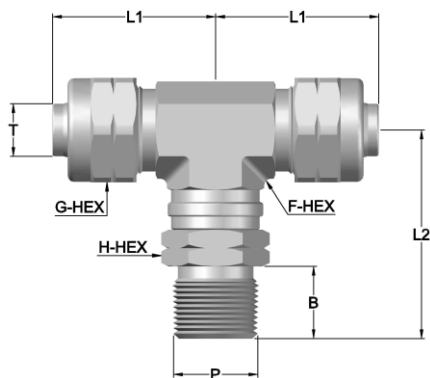
## PNO - TAPER MALE SWIVEL BRANCH TEE (PNOTMSBT) Metric Tube to Male BSPT pipe thread



| TUBE OD/ID | PIPE THREAD | DIMENSIONS IN MILLIMETERS |       |       |       |      |      | SEALEXCEL PART NO. |
|------------|-------------|---------------------------|-------|-------|-------|------|------|--------------------|
|            |             | B                         | F-HEX | G-HEX | H-HEX | L1   | L2   |                    |
| 6/4 mm     | 1/8" BSPT   | 7.5                       | 10.0  | 13.0  | 11.0  | 21.5 | 25.6 | PNOTMSBT-6/4-2RT   |
| 6/4 mm     | 1/4" BSPT   | 11.0                      | 10.0  | 13.0  | 14.0  | 21.5 | 29.3 | PNOTMSBT-6/4-4RT   |
| 8/5 mm     | 1/8" BSPT   | 7.5                       | 12.0  | 14.0  | 13.0  | 23.7 | 26.8 | PNOTMSBT-8/5-2RT   |
| 8/5 mm     | 1/4" BSPT   | 11.0                      | 12.0  | 14.0  | 14.0  | 23.7 | 30.5 | PNOTMSBT-8/5-4RT   |
| 8/5 mm     | 3/8" BSPT   | 11.5                      | 12.0  | 14.0  | 17.0  | 23.7 | 31.3 | PNOTMSBT-8/5-6RT   |
| 8/6 mm     | 1/8" BSPT   | 7.5                       | 12.0  | 14.0  | 13.0  | 23.7 | 26.8 | PNOTMSBT-8/6-2RT   |
| 8/6 mm     | 1/4" BSPT   | 11.0                      | 12.0  | 14.0  | 14.0  | 23.7 | 30.5 | PNOTMSBT-8/6-4RT   |
| 8/6 mm     | 3/8" BSPT   | 11.5                      | 12.0  | 14.0  | 17.0  | 23.7 | 31.3 | PNOTMSBT-8/6-6RT   |
| 10/7 mm    | 1/4" BSPT   | 11.0                      | 14.0  | 16.0  | 14.0  | 24.8 | 31.5 | PNOTMSBT-10/7-4RT  |
| 10/7 mm    | 3/8" BSPT   | 11.5                      | 14.0  | 16.0  | 17.0  | 24.8 | 32.3 | PNOTMSBT-10/7-6RT  |
| 10/8 mm    | 1/4" BSPT   | 11.0                      | 14.0  | 16.0  | 14.0  | 24.8 | 31.5 | PNOTMSBT-10/8-4RT  |
| 10/8 mm    | 3/8" BSPT   | 11.5                      | 14.0  | 16.0  | 17.0  | 24.8 | 32.3 | PNOTMSBT-10/8-6RT  |
| 12/9 mm    | 1/4" BSPT   | 11.0                      | 16.0  | 19.0  | 16.0  | 27.6 | 33.0 | PNOTMSBT-12/9-4RT  |
| 12/9 mm    | 3/8" BSPT   | 11.5                      | 16.0  | 19.0  | 17.0  | 27.6 | 33.7 | PNOTMSBT-12/9-6RT  |
| 12/9 mm    | 1/2" BSPT   | 15.0                      | 16.0  | 19.0  | 22.0  | 27.6 | 37.5 | PNOTMSBT-12/9-8RT  |
| 12/10 mm   | 1/4" BSPT   | 11.0                      | 16.0  | 19.0  | 16.0  | 27.6 | 33.0 | PNOTMSBT-12/10-4RT |
| 12/10 mm   | 3/8" BSPT   | 11.5                      | 16.0  | 19.0  | 17.0  | 27.6 | 33.7 | PNOTMSBT-12/10-6RT |
| 12/10 mm   | 1/2" BSPT   | 15.0                      | 16.0  | 19.0  | 22.0  | 27.6 | 37.5 | PNOTMSBT-12/10-8RT |

Metric Tube to Male NPT pipe thread are available on request

## PNO - TAPER MALE SWIVEL BRANCH TEE (PNOTMSBT) Fractional Tube to Male NPT pipe thread

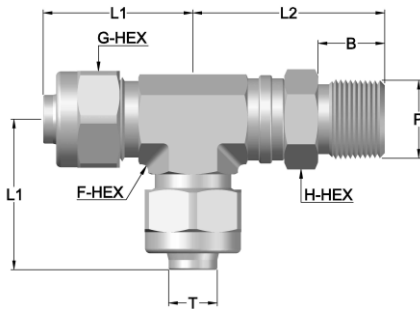


| TUBE OD/ID | PIPE THREAD | DIMENSIONS IN INCHES |       |       |       |      |      | SEALEXCEL PART NO. |
|------------|-------------|----------------------|-------|-------|-------|------|------|--------------------|
|            |             | B                    | F-HEX | G-HEX | H-HEX | L1   | L2   |                    |
| 1/4-1/8    | 1/8 NPT     | 0.33                 | 0.39  | 1/2   | 7/16  | 0.85 | 1.05 | PNOTMSBT-250/2-2N  |
| 1/4-1/8    | 1/4 NPT     | 0.47                 | 0.39  | 1/2   | 9/16  | 0.85 | 1.19 | PNOTMSBT-250/2-4N  |
| 1/4-0.17   | 1/8 NPT     | 0.33                 | 0.39  | 1/2   | 7/16  | 0.85 | 1.05 | PNOTMSBT-250/17-2N |
| 1/4-0.17   | 1/4 NPT     | 0.47                 | 0.39  | 1/2   | 9/16  | 0.85 | 1.19 | PNOTMSBT-250/17-4N |
| 5/16-3/16  | 1/8 NPT     | 0.33                 | 0.47  | 9/16  | 1/2   | 0.93 | 1.09 | PNOTMSBT-312/3-2N  |
| 5/16-3/16  | 1/4 NPT     | 0.47                 | 0.47  | 9/16  | 9/16  | 0.93 | 1.24 | PNOTMSBT-312/3-4N  |
| 5/16-3/16  | 3/8 NPT     | 0.47                 | 0.47  | 9/16  | 11/16 | 0.93 | 1.25 | PNOTMSBT-312/3-6N  |
| 3/8-1/4    | 1/4 NPT     | 0.47                 | 0.55  | 5/8   | 9/16  | 0.98 | 1.28 | PNOTMSBT-375/4-4N  |
| 3/8-1/4    | 3/8 NPT     | 0.47                 | 0.55  | 5/8   | 11/16 | 0.98 | 1.29 | PNOTMSBT-375/4-6N  |
| 1/2-3/8    | 1/4 NPT     | 0.47                 | 0.63  | 3/4   | 5/8   | 1.09 | 1.34 | PNOTMSBT-500/6-4N  |
| 1/2-3/8    | 3/8 NPT     | 0.47                 | 0.63  | 3/4   | 11/16 | 1.09 | 1.35 | PNOTMSBT-500/6-6N  |
| 1/2-3/8    | 1/2 NPT     | 0.63                 | 0.63  | 3/4   | 7/8   | 1.09 | 1.52 | PNOTMSBT-500/6-8N  |

Fractional Tube to Male BSPT pipe thread are available on request

Dimensions for reference only, subject to change without notice

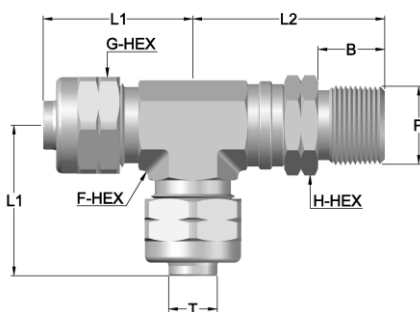
## PNO - TAPER MALE SWIVEL RUN TEE (PNOTMSRT) Metric Tube to Male BSPT pipe thread



| TUBE OD/ID | PIPE THREAD | DIMENSIONS IN MILLIMETERS |      |      |       |       |       | SEALEXCEL PART NO. |
|------------|-------------|---------------------------|------|------|-------|-------|-------|--------------------|
|            |             | T                         | P    | B    | F-HEX | G-HEX | H-HEX |                    |
| 6/4 mm     | 1/8" BSPT   | 7.5                       | 10.0 | 13.0 | 11.0  | 21.5  | 25.6  | PNOTMSRT-6/4-2RT   |
| 6/4 mm     | 1/4" BSPT   | 11.0                      | 10.0 | 13.0 | 14.0  | 21.5  | 29.3  | PNOTMSRT-6/4-4RT   |
| 8/5 mm     | 1/8" BSPT   | 7.5                       | 12.0 | 14.0 | 13.0  | 23.7  | 26.8  | PNOTMSRT-8/5-2RT   |
| 8/5 mm     | 1/4" BSPT   | 11.0                      | 12.0 | 14.0 | 14.0  | 23.7  | 30.5  | PNOTMSRT-8/5-4RT   |
| 8/5 mm     | 3/8" BSPT   | 11.5                      | 12.0 | 14.0 | 17.0  | 23.7  | 31.3  | PNOTMSRT-8/5-6RT   |
| 8/6 mm     | 1/8" BSPT   | 7.5                       | 12.0 | 14.0 | 13.0  | 23.7  | 26.8  | PNOTMSRT-8/6-2RT   |
| 8/6 mm     | 1/4" BSPT   | 11.0                      | 12.0 | 14.0 | 14.0  | 23.7  | 30.5  | PNOTMSRT-8/6-4RT   |
| 8/6 mm     | 3/8" BSPT   | 11.5                      | 12.0 | 14.0 | 17.0  | 23.7  | 31.3  | PNOTMSRT-8/6-6RT   |
| 10/7 mm    | 1/4" BSPT   | 11.0                      | 14.0 | 16.0 | 14.0  | 24.8  | 31.5  | PNOTMSRT-10/7-4RT  |
| 10/7 mm    | 3/8" BSPT   | 11.5                      | 14.0 | 16.0 | 18.0  | 24.8  | 32.3  | PNOTMSRT-10/7-6RT  |
| 10/8 mm    | 1/4" BSPT   | 11.0                      | 14.0 | 16.0 | 14.0  | 24.8  | 31.5  | PNOTMSRT-10/8-4RT  |
| 10/8 mm    | 3/8" BSPT   | 11.5                      | 14.0 | 16.0 | 18.0  | 24.8  | 32.3  | PNOTMSRT-10/8-6RT  |
| 12/9 mm    | 1/4" BSPT   | 11.0                      | 16.0 | 19.0 | 16.0  | 27.6  | 33.0  | PNOTMSRT-12/9-4RT  |
| 12/9 mm    | 3/8" BSPT   | 11.5                      | 16.0 | 19.0 | 17.0  | 27.6  | 33.7  | PNOTMSRT-12/9-6RT  |
| 12/9 mm    | 1/2" BSPT   | 15.0                      | 16.0 | 19.0 | 22.0  | 27.6  | 37.5  | PNOTMSRT-12/9-8RT  |
| 12/10 mm   | 1/4" BSPT   | 11.0                      | 16.0 | 19.0 | 16.0  | 27.6  | 33.0  | PNOTMSRT-12/10-4RT |
| 12/10 mm   | 3/8" BSPT   | 11.5                      | 16.0 | 19.0 | 17.0  | 27.6  | 33.7  | PNOTMSRT-12/10-6RT |
| 12/10 mm   | 1/2" BSPT   | 15.0                      | 16.0 | 19.0 | 22.0  | 27.6  | 37.5  | PNOTMSRT-12/10-8RT |

Metric Tube to Male NPT pipe thread are available on request

## PNO - TAPER MALE SWIVEL RUN TEE (PNOTMSRT) Fractional Tube to Male NPT pipe thread



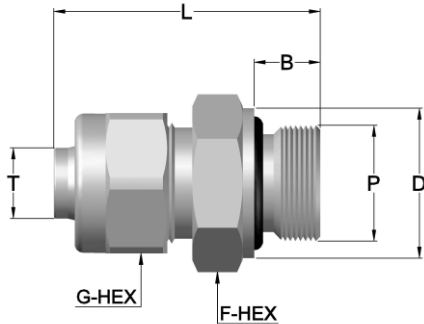
| TUBE OD/ID | PIPE THREAD | DIMENSIONS IN INCHES |      |      |       |       |       | SEALEXCEL PART NO. |
|------------|-------------|----------------------|------|------|-------|-------|-------|--------------------|
|            |             | T                    | P    | B    | F-HEX | G-HEX | H-HEX |                    |
| 1/4-1/8    | 1/8 NPT     | 0.33                 | 0.39 | 1/2  | 7/16  | 0.85  | 1.05  | PNOTMSRT-250/2-2N  |
| 1/4-1/8    | 1/4 NPT     | 0.47                 | 0.39 | 1/2  | 9/16  | 0.85  | 1.19  | PNOTMSRT-250/2-4N  |
| 1/4-0.17   | 1/8 NPT     | 0.33                 | 0.39 | 1/2  | 7/16  | 0.85  | 1.05  | PNOTMSRT-250/17-2N |
| 1/4-0.17   | 1/4 NPT     | 0.47                 | 0.39 | 1/2  | 9/16  | 0.85  | 1.19  | PNOTMSRT-250/17-4N |
| 5/16-3/16  | 1/8 NPT     | 0.33                 | 0.47 | 9/16 | 1/2   | 0.93  | 1.09  | PNOTMSRT-312/3-2N  |
| 5/16-3/16  | 1/4 NPT     | 0.47                 | 0.47 | 9/16 | 9/16  | 0.93  | 1.24  | PNOTMSRT-312/3-4N  |
| 5/16-3/16  | 3/8 NPT     | 0.47                 | 0.47 | 9/16 | 11/16 | 0.93  | 1.25  | PNOTMSRT-312/3-6N  |
| 3/8-1/4    | 1/4 NPT     | 0.47                 | 0.55 | 5/8  | 9/16  | 0.98  | 1.28  | PNOTMSRT-375/4-4N  |
| 3/8-1/4    | 3/8 NPT     | 0.47                 | 0.55 | 5/8  | 11/16 | 0.98  | 1.29  | PNOTMSRT-375/4-6N  |
| 1/2-3/8    | 1/4 NPT     | 0.47                 | 0.63 | 3/4  | 5/8   | 1.09  | 1.34  | PNOTMSRT-500/6-4N  |
| 1/2-3/8    | 3/8 NPT     | 0.47                 | 0.63 | 3/4  | 11/16 | 1.09  | 1.35  | PNOTMSRT-500/6-6N  |
| 1/2-3/8    | 1/2 NPT     | 0.63                 | 0.63 | 3/4  | 7/8   | 1.09  | 1.52  | PNOTMSRT-500/6-8N  |

Fractional Tube to Male BSPT pipe thread are available on request

Dimensions for reference only, subject to change without notice

## PNO - PARALLEL MALE CONNECTOR (PNOPMC)

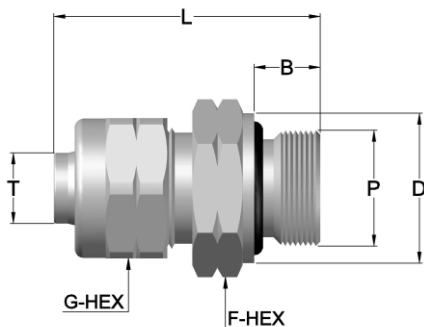
### Metric Tube to Male BSP pipe thread



| TUBE OD/ID | PIPE THREAD | DIMENSIONS IN MILLIMETERS |      |      |      |       | SEALEXCEL PART NO. |
|------------|-------------|---------------------------|------|------|------|-------|--------------------|
|            |             | T                         | P    | B    | D    | F-HEX |                    |
| 6/4 mm     | 1/8" BSP    | 5.8                       | 13.8 | 14.0 | 13.0 | 26.0  | PNOPMC-6/4-2EO     |
| 6/4 mm     | 1/4" BSP    | 7.5                       | 16.8 | 17.0 | 13.0 | 28.0  | PNOPMC-6/4-4EO     |
| 8/5 mm     | 1/8" BSP    | 5.8                       | 13.8 | 14.0 | 14.0 | 27.7  | PNOPMC-8/5-2EO     |
| 8/5 mm     | 1/4" BSP    | 7.5                       | 16.8 | 17.0 | 14.0 | 29.7  | PNOPMC-8/5-4EO     |
| 8/5 mm     | 3/8" BSP    | 7.5                       | 20.3 | 20.6 | 14.0 | 30.0  | PNOPMC-8/5-6EO     |
| 8/6 mm     | 1/8" BSP    | 5.8                       | 13.8 | 14.0 | 14.0 | 27.7  | PNOPMC-8/6-2EO     |
| 8/6 mm     | 1/4" BSP    | 7.5                       | 16.8 | 17.0 | 14.0 | 29.7  | PNOPMC-8/6-4EO     |
| 8/6 mm     | 3/8" BSP    | 7.5                       | 20.3 | 20.6 | 14.0 | 30.0  | PNOPMC-8/6-6EO     |
| 10/7 mm    | 1/8" BSP    | 5.8                       | 13.8 | 16.0 | 16.0 | 27.6  | PNOPMC-10/7-2EO    |
| 10/7 mm    | 1/4" BSP    | 7.5                       | 16.8 | 17.0 | 16.0 | 29.8  | PNOPMC-10/7-4EO    |
| 10/7 mm    | 3/8" BSP    | 7.5                       | 20.3 | 20.6 | 16.0 | 30.0  | PNOPMC-10/7-6EO    |
| 10/8 mm    | 1/8" BSP    | 5.8                       | 13.8 | 16.0 | 16.0 | 27.6  | PNOPMC-10/8-2EO    |
| 10/8 mm    | 1/4" BSP    | 7.5                       | 16.8 | 17.0 | 16.0 | 29.8  | PNOPMC-10/8-4EO    |
| 10/8 mm    | 3/8" BSP    | 7.5                       | 20.3 | 20.6 | 16.0 | 30.0  | PNOPMC-10/8-6EO    |
| 12/9 mm    | 1/4" BSP    | 7.5                       | 16.8 | 17.0 | 19.0 | 31.6  | PNOPMC-12/9-4EO    |
| 12/9 mm    | 3/8" BSP    | 7.5                       | 20.3 | 20.6 | 19.0 | 31.6  | PNOPMC-12/9-6EO    |
| 12/9 mm    | 1/2" BSP    | 10                        | 26.6 | 27.0 | 19.0 | 34.2  | PNOPMC-12/9-8EO    |
| 12/10 mm   | 1/4" BSP    | 7.5                       | 16.8 | 17.0 | 19.0 | 31.6  | PNOPMC-12/10-4EO   |
| 12/10 mm   | 3/8" BSP    | 7.5                       | 20.3 | 20.6 | 19.0 | 31.6  | PNOPMC-12/10-6EO   |
| 12/10 mm   | 1/2" BSP    | 10                        | 26.6 | 27.0 | 19.0 | 34.2  | PNOPMC-12/10-8EO   |

## PNO - PARALLEL MALE CONNECTOR (PNOPMC)

### Fractional Tube to Male Universal pipe thread

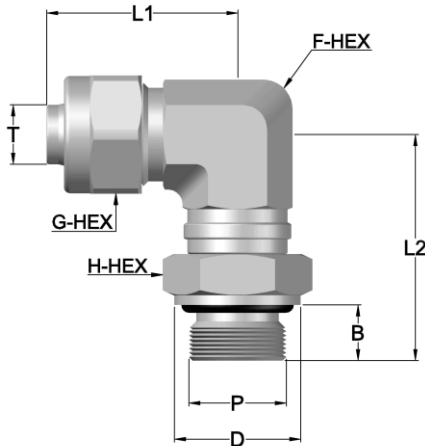


| TUBE OD/ID | PIPE THREAD | DIMENSIONS IN INCHES |      |        |      |       | SEALEXCEL PART NO. |
|------------|-------------|----------------------|------|--------|------|-------|--------------------|
|            |             | T                    | P    | B      | D    | F-HEX |                    |
| 1/4-1/8    | 1/8 BSP     | 0.23                 | 0.54 | 9/16   | 1/2  | 1.02  | PNOPMC-250/2-2EO   |
| 1/4-1/8    | 1/4 BSP     | 0.30                 | 0.66 | 11/16  | 1/2  | 1.10  | PNOPMC-250/2-4EO   |
| 1/4-0.17   | 1/8 BSP     | 0.23                 | 0.54 | 9/16   | 1/2  | 1.02  | PNOPMC-250/17-2EO  |
| 1/4-0.17   | 1/4 BSP     | 0.30                 | 0.66 | 11/16  | 1/2  | 1.10  | PNOPMC-250/17-4EO  |
| 5/16-3/16  | 1/8 BSP     | 0.23                 | 0.54 | 9/16   | 9/16 | 1.09  | PNOPMC-312/3-2EO   |
| 5/16-3/16  | 1/4 BSP     | 0.30                 | 0.66 | 11/16  | 9/16 | 1.17  | PNOPMC-312/3-4EO   |
| 5/16-3/16  | 3/8 BSP     | 0.30                 | 0.80 | 13/16  | 9/16 | 1.18  | PNOPMC-312/3-6EO   |
| 3/8-1/4    | 1/8 BSP     | 0.23                 | 0.54 | 5/8    | 5/8  | 1.09  | PNOPMC-375/4-2EO   |
| 3/8-1/4    | 1/4 BSP     | 0.30                 | 0.66 | 11/16  | 5/8  | 1.17  | PNOPMC-375/4-4EO   |
| 3/8-1/4    | 3/8 BSP     | 0.30                 | 0.80 | 13/16  | 5/8  | 1.18  | PNOPMC-375/4-6EO   |
| 1/2-3/8    | 1/4 BSP     | 0.30                 | 0.66 | 11/16  | 3/4  | 1.24  | PNOPMC-500/6-4EO   |
| 1/2-3/8    | 3/8 BSP     | 0.30                 | 0.80 | 13/16  | 3/4  | 1.24  | PNOPMC-500/6-6EO   |
| 1/2-3/8    | 1/2 BSP     | 0.39                 | 1.05 | 1-1/16 | 3/4  | 1.35  | PNOPMC-500/6-8EO   |

Fractional Tube to Male BSP (parallel) pipe thread are available on request

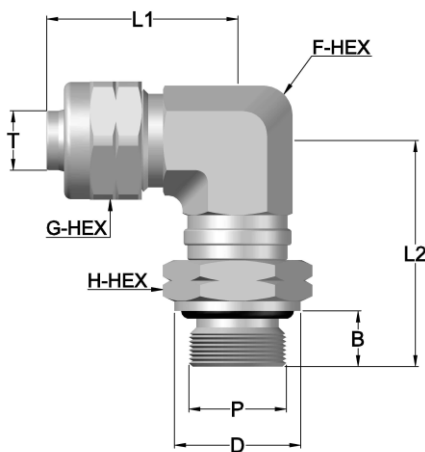
Dimensions for reference only, subject to change without notice

## PNO - PARALLEL MALE SWIVEL ELBOW (PNOPMSE) Metric Tube to Male BSP (Parallel) pipe thread



| TUBE OD/ID | PIPE THREAD | DIMENSIONS IN MILLIMETERS |      |       |       |       |      |      | SEALEXCEL PART NO. |
|------------|-------------|---------------------------|------|-------|-------|-------|------|------|--------------------|
|            |             | B                         | D    | F-HEX | G-HEX | H-HEX | L1   | L2   |                    |
| 6/4 mm     | 1/8" BSP    | 5.8                       | 13.8 | 10.0  | 13.0  | 14.0  | 21.5 | 24.9 | PNOPMSE-6/4-2EO    |
| 6/4 mm     | 1/4" BSP    | 7.5                       | 16.8 | 10.0  | 13.0  | 17.0  | 21.5 | 26.8 | PNOPMSE-6/4-4EO    |
| 8/5 mm     | 1/8" BSP    | 5.8                       | 13.8 | 12.0  | 14.0  | 14.0  | 23.7 | 26.0 | PNOPMSE-8/5-2EO    |
| 8/5 mm     | 1/4" BSP    | 7.5                       | 16.8 | 12.0  | 14.0  | 17.0  | 23.7 | 28.0 | PNOPMSE-8/5-4EO    |
| 8/5 mm     | 3/8" BSP    | 7.5                       | 20.3 | 12.0  | 14.0  | 20.6  | 23.7 | 28.5 | PNOPMSE-8/5-6EO    |
| 8/6 mm     | 1/8" BSP    | 5.8                       | 13.8 | 12.0  | 14.0  | 14.0  | 23.7 | 26.0 | PNOPMSE-8/6-2EO    |
| 8/6 mm     | 1/4" BSP    | 7.5                       | 16.8 | 12.0  | 14.0  | 17.0  | 23.7 | 28.0 | PNOPMSE-8/6-4EO    |
| 8/6 mm     | 3/8" BSP    | 7.5                       | 20.3 | 12.0  | 14.0  | 20.6  | 23.7 | 28.5 | PNOPMSE-8/6-6EO    |
| 10/7 mm    | 1/8" BSP    | 5.8                       | 13.8 | 14.0  | 16.0  | 14.0  | 24.8 | 27.0 | PNOPMSE-10/7-2EO   |
| 10/7 mm    | 1/4" BSP    | 7.5                       | 16.8 | 14.0  | 16.0  | 17.0  | 24.8 | 29.0 | PNOPMSE-10/7-4EO   |
| 10/7 mm    | 3/8" BSP    | 7.5                       | 20.3 | 14.0  | 16.0  | 20.6  | 24.8 | 29.5 | PNOPMSE-10/7-6EO   |
| 10/8 mm    | 1/8" BSP    | 5.8                       | 13.8 | 14.0  | 16.0  | 14.0  | 24.8 | 27.0 | PNOPMSE-10/8-2EO   |
| 10/8 mm    | 1/4" BSP    | 7.5                       | 16.8 | 14.0  | 16.0  | 17.0  | 24.8 | 29.0 | PNOPMSE-10/8-4EO   |
| 10/8 mm    | 3/8" BSP    | 7.5                       | 20.3 | 14.0  | 16.0  | 20.6  | 24.8 | 29.5 | PNOPMSE-10/8-6EO   |
| 12/9 mm    | 1/4" BSP    | 7.5                       | 16.8 | 16.0  | 19.0  | 17.0  | 27.6 | 30.3 | PNOPMSE-12/9-4EO   |
| 12/9 mm    | 3/8" BSP    | 7.5                       | 20.3 | 16.0  | 19.0  | 20.6  | 27.6 | 30.7 | PNOPMSE-12/9-6EO   |
| 12/9 mm    | 1/2" BSP    | 10.0                      | 23.3 | 16.0  | 19.0  | 22.0  | 27.6 | 33.8 | PNOPMSE-12/9-8EO   |
| 12/10 mm   | 1/4" BSP    | 7.5                       | 16.8 | 16.0  | 19.0  | 17.0  | 27.6 | 30.3 | PNOPMSE-12/10-4EO  |
| 12/10 mm   | 3/8" BSP    | 7.5                       | 20.3 | 16.0  | 19.0  | 20.6  | 27.6 | 30.7 | PNOPMSE-12/10-6EO  |
| 12/10 mm   | 1/2" BSP    | 10.0                      | 23.3 | 16.0  | 19.0  | 22.0  | 27.6 | 33.8 | PNOPMSE-12/10-8EO  |

## PNO - PARALLEL MALE SWIVEL ELBOW (PNOPMSE) Fractional Tube to Male Universal pipe thread



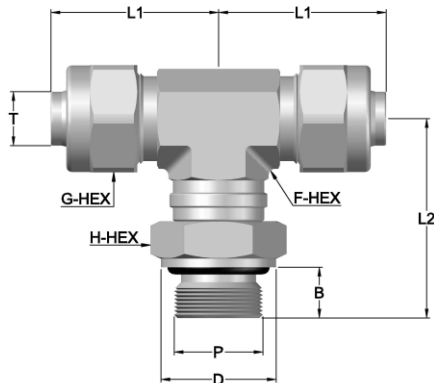
| TUBE OD/ID | PIPE THREAD | DIMENSIONS IN INCHES |      |       |       |       |      |      | SEALEXCEL PART NO.  |
|------------|-------------|----------------------|------|-------|-------|-------|------|------|---------------------|
|            |             | B                    | D    | F-HEX | G-HEX | H-HEX | L1   | L2   |                     |
| 1/4-1/8    | 1/8 UNI     | 0.23                 | 0.54 | 0.39  | 1/2   | 9/16  | 0.85 | 0.98 | PNOPMSE-250/2-2UNI  |
| 1/4-1/8    | 1/4 UNI     | 0.30                 | 0.66 | 0.39  | 1/2   | 11/16 | 0.85 | 1.06 | PNOPMSE-250/2-4UNI  |
| 1/4-0.17   | 1/8 UNI     | 0.23                 | 0.54 | 0.39  | 1/2   | 9/16  | 0.85 | 0.98 | PNOPMSE-250/17-2UNI |
| 1/4-0.17   | 1/4 UNI     | 0.30                 | 0.66 | 0.39  | 1/2   | 11/16 | 0.85 | 1.06 | PNOPMSE-250/17-4UNI |
| 5/16-3/16  | 1/8 UNI     | 0.23                 | 0.54 | 0.47  | 9/16  | 9/16  | 0.93 | 1.02 | PNOPMSE-312/3-2UNI  |
| 5/16-3/16  | 1/4 UNI     | 0.30                 | 0.66 | 0.47  | 9/16  | 11/16 | 0.93 | 1.10 | PNOPMSE-312/3-4UNI  |
| 5/16-3/16  | 3/8 UNI     | 0.30                 | 0.80 | 0.47  | 9/16  | 13/16 | 0.93 | 1.12 | PNOPMSE-312/3-6UNI  |
| 3/8-1/4    | 1/8 UNI     | 0.23                 | 0.54 | 0.55  | 5/8   | 9/16  | 0.98 | 1.06 | PNOPMSE-375/4-2UNI  |
| 3/8-1/4    | 1/4 UNI     | 0.30                 | 0.66 | 0.55  | 5/8   | 11/16 | 0.98 | 1.14 | PNOPMSE-375/4-4UNI  |
| 3/8-1/4    | 3/8 UNI     | 0.30                 | 0.80 | 0.55  | 5/8   | 13/16 | 0.98 | 1.16 | PNOPMSE-375/4-6UNI  |
| 1/2-3/8    | 1/4 UNI     | 0.30                 | 0.66 | 0.63  | 3/4   | 11/16 | 1.09 | 1.19 | PNOPMSE-500/6-4UNI  |
| 1/2-3/8    | 3/8 UNI     | 0.30                 | 0.80 | 0.63  | 3/4   | 13/16 | 1.09 | 1.21 | PNOPMSE-500/6-6UNI  |
| 1/2-3/8    | 1/2 UNI     | 0.30                 | 0.92 | 0.63  | 3/4   | 7/8   | 1.09 | 1.33 | PNOPMSE-500/6-8UNI  |

Fractional Tube to Male BSP (parallel) pipe thread are available on request

Dimensions for reference only, subject to change without notice

## PNO - PARALLEL MALE SWIVEL BRANCH TEE (PNOPMSBT)

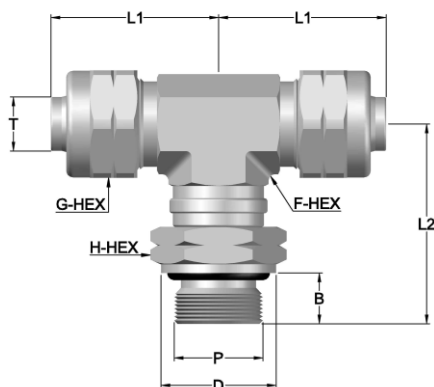
### Metric Tube to Male BSP (Parallel) pipe thread



| TUBE OD/ID | PIPE THREAD | DIMENSIONS IN MILLIMETERS |      |       |       |       |      |      | SEALEXCEL PART NO. |
|------------|-------------|---------------------------|------|-------|-------|-------|------|------|--------------------|
|            |             | B                         | D    | F-HEX | G-HEX | H-HEX | L1   | L2   |                    |
| 6/4 mm     | 1/8" BSP    | 5.8                       | 13.8 | 10.0  | 13.0  | 14.0  | 21.5 | 24.9 | PNOPMSBT-6/4-2EO   |
| 6/4 mm     | 1/4" BSP    | 7.5                       | 16.8 | 10.0  | 13.0  | 17.0  | 21.5 | 26.8 | PNOPMSBT-6/4-4EO   |
| 8/5 mm     | 1/8" BSP    | 5.8                       | 13.8 | 12.0  | 14.0  | 14.0  | 23.7 | 26.0 | PNOPMSBT-8/5-2EO   |
| 8/5 mm     | 1/4" BSP    | 7.5                       | 16.8 | 12.0  | 14.0  | 17.0  | 23.7 | 28.0 | PNOPMSBT-8/5-4EO   |
| 8/5 mm     | 3/8" BSP    | 7.5                       | 20.3 | 12.0  | 14.0  | 20.6  | 23.7 | 28.5 | PNOPMSBT-8/5-6EO   |
| 8/6 mm     | 1/8" BSP    | 5.8                       | 13.8 | 12.0  | 14.0  | 14.0  | 23.7 | 26.0 | PNOPMSBT-8/6-2EO   |
| 8/6 mm     | 1/4" BSP    | 7.5                       | 16.8 | 12.0  | 14.0  | 17.0  | 23.7 | 28.0 | PNOPMSBT-8/6-4EO   |
| 8/6 mm     | 3/8" BSP    | 7.5                       | 20.3 | 12.0  | 14.0  | 20.6  | 23.7 | 28.5 | PNOPMSBT-8/6-6EO   |
| 10/7 mm    | 1/8" BSP    | 7.5                       | 13.8 | 14.0  | 16.0  | 14.0  | 24.8 | 27.0 | PNOPMSBT-10/7-2EO  |
| 10/7 mm    | 1/4" BSP    | 7.5                       | 16.8 | 14.0  | 16.0  | 17.0  | 24.8 | 29.0 | PNOPMSBT-10/7-4EO  |
| 10/7 mm    | 3/8" BSP    | 7.5                       | 20.3 | 14.0  | 16.0  | 20.6  | 24.8 | 29.5 | PNOPMSBT-10/7-6EO  |
| 10/8 mm    | 1/8" BSP    | 7.5                       | 13.8 | 14.0  | 16.0  | 14.0  | 24.8 | 27.0 | PNOPMSBT-10/8-2EO  |
| 10/8 mm    | 1/4" BSP    | 7.5                       | 16.8 | 14.0  | 16.0  | 17.0  | 24.8 | 29.0 | PNOPMSBT-10/8-4EO  |
| 10/8 mm    | 3/8" BSP    | 7.5                       | 20.3 | 14.0  | 16.0  | 20.6  | 24.8 | 29.5 | PNOPMSBT-10/8-6EO  |
| 12/9 mm    | 1/4" BSP    | 7.5                       | 16.8 | 16.0  | 19.0  | 17.0  | 27.6 | 30.3 | PNOPMSBT-12/9-4EO  |
| 12/9 mm    | 3/8" BSP    | 7.5                       | 20.3 | 16.0  | 19.0  | 20.6  | 27.6 | 30.7 | PNOPMSBT-12/9-6EO  |
| 12/9 mm    | 1/2" BSP    | 10.0                      | 23.3 | 16.0  | 19.0  | 22.0  | 27.6 | 33.8 | PNOPMSBT-12/9-8EO  |
| 12/10 mm   | 1/4" BSP    | 7.5                       | 16.8 | 16.0  | 19.0  | 17.0  | 27.6 | 30.3 | PNOPMSBT-12/10-4EO |
| 12/10 mm   | 3/8" BSP    | 7.5                       | 20.3 | 16.0  | 19.0  | 20.6  | 27.6 | 30.7 | PNOPMSBT-12/10-6EO |
| 12/10 mm   | 1/2" BSP    | 10.0                      | 26.6 | 16.0  | 19.0  | 22.0  | 27.6 | 33.8 | PNOPMSBT-12/10-8EO |

## PNO - PARALLEL MALE SWIVEL BRANCH TEE (PNOPMSBT)

### Fractional Tube to Male Universal pipe thread



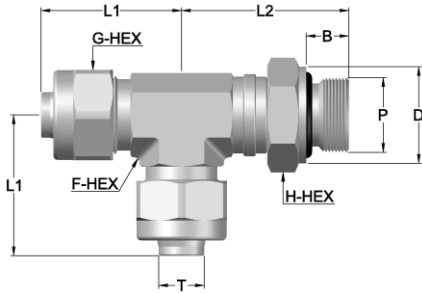
| TUBE OD/ID | PIPE THREAD | DIMENSIONS IN INCHES |       |       |       |       |      |      | SEALEXCEL PART NO.   |
|------------|-------------|----------------------|-------|-------|-------|-------|------|------|----------------------|
|            |             | B                    | D     | F-HEX | G-HEX | H-HEX | L1   | L2   |                      |
| 1/4-1/8    | 1/8 UNI     | 0.23                 | 0.54  | 0.39  | 1/2   | 9/16  | 0.85 | 0.98 | PNOPMSBT-250/2-2UNI  |
| 1/4-1/8    | 1/4 UNI     | 0.30                 | 0.66  | 0.39  | 1/2   | 11/16 | 0.85 | 1.06 | PNOPMSBT-250/2-4UNI  |
| 1/4-0.17   | 1/8 UNI     | 0.23                 | 0.54  | 0.39  | 1/2   | 9/16  | 0.85 | 0.98 | PNOPMSBT-250/17-2UNI |
| 1/4-0.17   | 1/4 UNI     | 0.30                 | 0.66  | 0.39  | 1/2   | 11/16 | 0.85 | 1.06 | PNOPMSBT-250/17-4UNI |
| 5/16-3/16  | 1/8 UNI     | 0.23                 | 0.54  | 0.47  | 9/16  | 9/16  | 0.93 | 1.02 | PNOPMSBT-312/3-2UNI  |
| 5/16-3/16  | 1/4 UNI     | 0.30                 | 0.66  | 0.47  | 9/16  | 11/16 | 0.93 | 1.10 | PNOPMSBT-312/3-4UNI  |
| 5/16-3/16  | 3/8 UNI     | 0.30                 | 0.80  | 0.47  | 9/16  | 13/16 | 0.93 | 1.12 | PNOPMSBT-312/3-6UNI  |
| 3/8-1/4    | 1/8 UNI     | 0.23                 | 0.54  | 0.55  | 5/8   | 9/16  | 0.98 | 1.06 | PNOPMSBT-375/4-2UNI  |
| 3/8-1/4    | 1/4 UNI     | 0.30                 | 0.66  | 0.55  | 5/8   | 11/16 | 0.98 | 1.14 | PNOPMSBT-375/4-4UNI  |
| 3/8-1/4    | 3/8 UNI     | 0.30                 | 0.80  | 0.55  | 5/8   | 13/16 | 0.98 | 1.16 | PNOPMSBT-375/4-6UNI  |
| 1/2-3/8    | 1/4 UNI     | 0.30                 | 0.66  | 0.63  | 3/4   | 11/16 | 1.09 | 1.19 | PNOPMSBT-500/6-4UNI  |
| 1/2-3/8    | 3/8 UNI     | 0.30                 | 0.80  | 0.63  | 3/4   | 13/16 | 1.09 | 1.21 | PNOPMSBT-500/6-6UNI  |
| 1/2-3/8    | 1/2 UNI     | 0.30                 | 1.047 | 0.63  | 3/4   | 7/8   | 1.09 | 1.33 | PNOPMSBT-500/6-8UNI  |

Fractional Tube to Male BSP (parallel) pipe thread are available on request

Dimensions for reference only, subject to change without notice

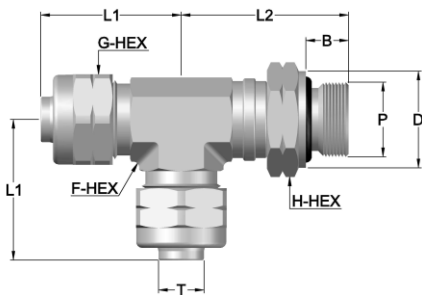


## PNO - PARALLEL MALE SWIVEL RUN TEE (PNOPMSRT) Metric Tube to Male BSP (Parallel) pipe thread



| TUBE<br>OD/ID | PIPE<br>THREAD | DIMENSIONS IN MILLIMETERS |      |       |       |       |      |      | SEALEXCEL<br>PART NO. |
|---------------|----------------|---------------------------|------|-------|-------|-------|------|------|-----------------------|
|               |                | B                         | D    | F-HEX | G-HEX | H-HEX | L1   | L2   |                       |
| 6/4 mm        | 1/8" BSP       | 5.8                       | 13.8 | 10.0  | 13.0  | 14.0  | 21.5 | 24.9 | PNOPMSRT-6/4-2EO      |
| 6/4 mm        | 1/4" BSP       | 7.5                       | 16.8 | 10.0  | 13.0  | 17.0  | 21.5 | 26.8 | PNOPMSRT-6/4-4EO      |
| 8/5 mm        | 1/8" BSP       | 5.8                       | 13.8 | 12.0  | 14.0  | 14.0  | 23.7 | 26.0 | PNOPMSRT-8/5-2EO      |
| 8/5 mm        | 1/4" BSP       | 7.5                       | 16.8 | 12.0  | 14.0  | 17.0  | 23.7 | 28.0 | PNOPMSRT-8/5-4EO      |
| 8/5 mm        | 3/8" BSP       | 7.5                       | 20.3 | 12.0  | 14.0  | 20.6  | 23.7 | 28.5 | PNOPMSRT-8/5-6EO      |
| 8/6 mm        | 1/8" BSP       | 5.8                       | 13.8 | 12.0  | 14.0  | 14.0  | 23.7 | 26.0 | PNOPMSRT-8/6-2EO      |
| 8/6 mm        | 1/4" BSP       | 7.5                       | 16.8 | 12.0  | 14.0  | 17.0  | 23.7 | 28.0 | PNOPMSRT-8/6-4EO      |
| 8/6 mm        | 3/8" BSP       | 7.5                       | 20.3 | 12.0  | 14.0  | 20.6  | 23.7 | 28.5 | PNOPMSRT-8/6-6EO      |
| 10/7 mm       | 1/8" BSP       | 5.8                       | 13.8 | 14.0  | 16.0  | 14.0  | 24.8 | 27.0 | PNOPMSRT-10/7-2EO     |
| 10/7 mm       | 1/4" BSP       | 7.5                       | 16.8 | 14.0  | 16.0  | 17.0  | 24.8 | 29.0 | PNOPMSRT-10/7-4EO     |
| 10/7 mm       | 3/8" BSP       | 7.5                       | 20.3 | 14.0  | 16.0  | 20.6  | 24.8 | 29.5 | PNOPMSRT-10/7-6EO     |
| 10/8 mm       | 1/8" BSP       | 5.8                       | 13.8 | 14.0  | 16.0  | 14.0  | 24.8 | 27.0 | PNOPMSRT-10/8-2EO     |
| 10/8 mm       | 1/4" BSP       | 7.5                       | 16.8 | 14.0  | 16.0  | 17.0  | 24.8 | 29.0 | PNOPMSRT-10/8-4EO     |
| 10/8 mm       | 3/8" BSP       | 7.5                       | 20.3 | 14.0  | 16.0  | 20.6  | 24.8 | 29.5 | PNOPMSRT-10/8-6EO     |
| 12/9 mm       | 1/4" BSP       | 7.5                       | 16.8 | 16.0  | 19.0  | 17.0  | 27.6 | 30.3 | PNOPMSRT-12/9-4EO     |
| 12/9 mm       | 3/8" BSP       | 7.5                       | 20.3 | 16.0  | 19.0  | 20.6  | 27.6 | 30.7 | PNOPMSRT-12/9-6EO     |
| 12/9 mm       | 1/2" BSP       | 10.0                      | 23.3 | 16.0  | 19.0  | 22.0  | 27.6 | 33.8 | PNOPMSRT-12/9-8EO     |
| 12/10 mm      | 1/4" BSP       | 7.5                       | 16.8 | 16.0  | 19.0  | 17.0  | 27.6 | 30.3 | PNOPMSRT-12/10-4EO    |
| 12/10 mm      | 3/8" BSP       | 7.5                       | 20.3 | 16.0  | 19.0  | 20.6  | 27.6 | 30.7 | PNOPMSRT-12/10-6EO    |
| 12/10 mm      | 1/2" BSP       | 10.0                      | 23.3 | 16.0  | 19.0  | 22.0  | 27.6 | 33.8 | PNOPMSRT-12/10-8EO    |

## PNO - PARALLEL MALE SWIVEL RUN TEE (PNOPMSRT) Fractional Tube to Male Universal pipe thread



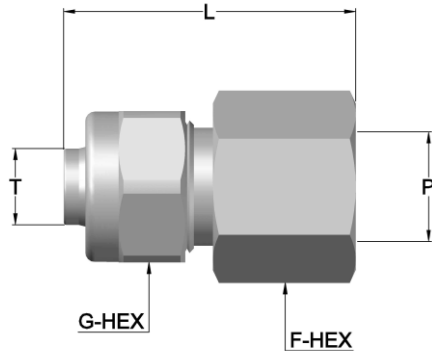
| TUBE<br>OD/ID | PIPE<br>THREAD | DIMENSIONS IN INCHES |      |       |       |       |      |      | SEALEXCEL<br>PART NO. |
|---------------|----------------|----------------------|------|-------|-------|-------|------|------|-----------------------|
|               |                | B                    | D    | F-HEX | G-HEX | H-HEX | L1   | L2   |                       |
| 1/4-1/8       | 1/8 UNI        | 0.23                 | 0.54 | 0.39  | 1/2   | 9/16  | 0.85 | 0.98 | PNOPMSRT-250/2-2UNI   |
| 1/4-1/8       | 1/4 UNI        | 0.30                 | 0.66 | 0.39  | 1/2   | 11/16 | 0.85 | 1.06 | PNOPMSRT-250/2-4UNI   |
| 1/4-0.17      | 1/8 UNI        | 0.23                 | 0.54 | 0.39  | 1/2   | 9/16  | 0.85 | 0.98 | PNOPMSRT-250/17-2UNI  |
| 1/4-0.17      | 1/4 UNI        | 0.30                 | 0.66 | 0.39  | 1/2   | 11/16 | 0.85 | 1.06 | PNOPMSRT-250/17-4UNI  |
| 5/16-3/16     | 1/8 UNI        | 0.23                 | 0.54 | 0.47  | 9/16  | 9/16  | 0.93 | 1.02 | PNOPMSRT-312/3-2UNI   |
| 5/16-3/16     | 1/4 UNI        | 0.30                 | 0.66 | 0.47  | 9/16  | 11/16 | 0.93 | 1.10 | PNOPMSRT-312/3-4UNI   |
| 5/16-3/16     | 3/8 UNI        | 0.30                 | 0.80 | 0.47  | 9/16  | 13/16 | 0.93 | 1.12 | PNOPMSRT-312/3-6UNI   |
| 3/8-1/4       | 1/8 UNI        | 0.23                 | 0.54 | 0.55  | 5/8   | 9/16  | 0.98 | 1.06 | PNOPMSRT-375/4-2UNI   |
| 3/8-1/4       | 1/4 UNI        | 0.30                 | 0.66 | 0.55  | 5/8   | 11/16 | 0.98 | 1.14 | PNOPMSRT-375/4-4UNI   |
| 3/8-1/4       | 3/8 UNI        | 0.30                 | 0.80 | 0.55  | 5/8   | 13/16 | 0.98 | 1.16 | PNOPMSRT-375/4-6UNI   |
| 1/2-3/8       | 1/4 UNI        | 0.30                 | 0.66 | 0.63  | 3/4   | 11/16 | 1.09 | 1.19 | PNOPMSRT-500/6-4UNI   |
| 1/2-3/8       | 3/8 UNI        | 0.30                 | 0.80 | 0.63  | 3/4   | 13/16 | 1.09 | 1.21 | PNOPMSRT-500/6-6UNI   |
| 1/2-3/8       | 1/2 UNI        | 0.30                 | 0.92 | 0.63  | 3/4   | 7/8   | 1.09 | 1.33 | PNOPMSRT-500/6-8UNI   |

Fractional Tube to Male BSP (parallel) pipe thread are available on request

Dimensions for reference only, subject to change without notice

## PNO - TAPER FEMALE CONNECTOR (PNOTFC)

### Metric Tube to Female BSPT pipe thread

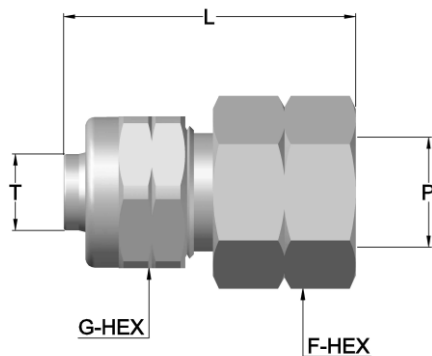


| TUBE OD/ID | PIPE THREAD | DIMENSIONS IN MILLIMETERS |      |       | SEALEXCEL PART NO. |
|------------|-------------|---------------------------|------|-------|--------------------|
|            |             | T                         | P    | F-HEX |                    |
| 6/4 mm     | 1/8" BSPT   | 13.0                      | 13.0 | 26.5  | PNOTFC-6/4-2RT     |
| 6/4 mm     | 1/4" BSPT   | 17.0                      | 13.0 | 29.5  | PNOTFC-6/4-4RT     |
| 8/5 mm     | 1/8" BSPT   | 13.0                      | 14.0 | 27.9  | PNOTFC-8/5-2RT     |
| 8/5 mm     | 1/4" BSPT   | 17.0                      | 14.0 | 31.0  | PNOTFC-8/5-4RT     |
| 8/5 mm     | 3/8" BSPT   | 20.6                      | 14.0 | 31.5  | PNOTFC-8/5-6RT     |
| 8/6 mm     | 1/8" BSPT   | 13.0                      | 14.0 | 27.9  | PNOTFC-8/6-2RT     |
| 8/6 mm     | 1/4" BSPT   | 17.0                      | 14.0 | 31.0  | PNOTFC-8/6-4RT     |
| 8/6 mm     | 3/8" BSPT   | 20.6                      | 14.0 | 31.5  | PNOTFC-8/6-6RT     |
| 10/7 mm    | 1/8" BSPT   | 16.0                      | 16.0 | 27.9  | PNOTFC-10/7-2RT    |
| 10/7 mm    | 1/4" BSPT   | 17.0                      | 16.0 | 30.9  | PNOTFC-10/7-4RT    |
| 10/7 mm    | 3/8" BSPT   | 20.6                      | 16.0 | 31.5  | PNOTFC-10/7-6RT    |
| 10/8 mm    | 1/8" BSPT   | 16.0                      | 16.0 | 27.9  | PNOTFC-10/8-2RT    |
| 10/8 mm    | 1/4" BSPT   | 17.0                      | 16.0 | 30.9  | PNOTFC-10/8-4RT    |
| 10/8 mm    | 3/8" BSPT   | 20.6                      | 16.0 | 31.5  | PNOTFC-10/8-6RT    |
| 12/9 mm    | 1/4" BSPT   | 17.0                      | 19.0 | 32.2  | PNOTFC-12/9-4RT    |
| 12/9 mm    | 3/8" BSPT   | 20.6                      | 19.0 | 33.0  | PNOTFC-12/9-6RT    |
| 12/10 mm   | 1/4" BSPT   | 17.0                      | 19.0 | 32.2  | PNOTFC-12/10-4RT   |
| 12/10 mm   | 3/8" BSPT   | 20.6                      | 19.0 | 33.0  | PNOTFC-12/10-6RT   |

Metric Tube to Female NPT pipe thread are available on request

## PNO - TAPER FEMALE CONNECTOR (PNOTFC)

### Fractional Tube to Female NPT pipe thread



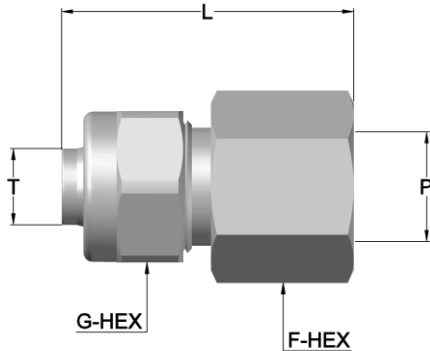
| TUBE OD/ID | PIPE THREAD | DIMENSIONS IN INCHES |      |       | SEALEXCEL PART NO. |
|------------|-------------|----------------------|------|-------|--------------------|
|            |             | T                    | P    | F-HEX |                    |
| 1/4-1/8    | 1/8 NPT     | 1/2                  | 1/2  | 1.08  | PNOTFC-250/2-2N    |
| 1/4-1/8    | 1/4 NPT     | 11/16                | 1/2  | 1.18  | PNOTFC-250/2-4N    |
| 1/4-0.17   | 1/8 NPT     | 1/2                  | 1/2  | 1.08  | PNOTFC-250/17-2N   |
| 1/4-0.17   | 1/4 NPT     | 11/16                | 1/2  | 1.18  | PNOTFC-250/17-4N   |
| 5/16-3/16  | 1/8 NPT     | 1/2                  | 9/16 | 1.14  | PNOTFC-312/3-2N    |
| 5/16-3/16  | 1/4 NPT     | 11/16                | 9/16 | 1.24  | PNOTFC-312/3-4N    |
| 5/16-3/16  | 3/8 NPT     | 13/16                | 9/16 | 1.24  | PNOTFC-312/3-6N    |
| 3/8-1/4    | 1/8 NPT     | 5/8                  | 5/8  | 1.14  | PNOTFC-375/4-2N    |
| 3/8-1/4    | 1/4 NPT     | 11/16                | 5/8  | 1.24  | PNOTFC-375/4-4N    |
| 3/8-1/4    | 3/8 NPT     | 13/16                | 5/8  | 1.24  | PNOTFC-375/4-6N    |
| 1/2-3/8    | 1/4 NPT     | 11/16                | 3/4  | 1.29  | PNOTFC-500/6-4N    |
| 1/2-3/8    | 3/8 NPT     | 13/16                | 3/4  | 1.30  | PNOTFC-500/6-6N    |

Fractional Tube to Female BSP/BSPT pipe thread are available on request

Dimensions for reference only, subject to change without notice

## PNO - PARALLEL FEMALE CONNECTOR (PNOPFC)

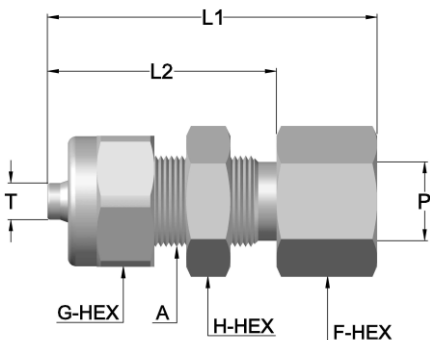
### Metric Tube to Female BSP (Parallel) pipe thread



| TUBE OD/ID | PIPE THREAD | DIMENSIONS IN MILLIMETERS |       |      | SEALEXCEL PART NO. |
|------------|-------------|---------------------------|-------|------|--------------------|
|            |             | F-HEX                     | G-HEX | L    |                    |
| 6/4 mm     | 1/8" BSP    | 13.0                      | 13.0  | 26.0 | PNOPFC-6/4-2RG     |
| 6/4 mm     | 1/4" BSP    | 17.0                      | 13.0  | 28.0 | PNOPFC-6/4-4RG     |
| 8/5 mm     | 1/8" BSP    | 13.0                      | 14.0  | 27.5 | PNOPFC-8/5-2RG     |
| 8/5 mm     | 1/4" BSP    | 17.0                      | 14.0  | 29.5 | PNOPFC-8/5-4RG     |
| 8/5 mm     | 3/8" BSP    | 20.6                      | 14.0  | 29.5 | PNOPFC-8/5-6RG     |
| 8/6 mm     | 1/8" BSP    | 13.0                      | 14.0  | 27.5 | PNOPFC-8/6-2RG     |
| 8/6 mm     | 1/4" BSP    | 17.0                      | 14.0  | 29.5 | PNOPFC-8/6-4RG     |
| 8/6 mm     | 3/8" BSP    | 20.6                      | 14.0  | 29.5 | PNOPFC-8/6-6RG     |
| 10/7 mm    | 1/8" BSP    | 16.0                      | 16.0  | 27.4 | PNOPFC-10/7-2RG    |
| 10/7 mm    | 1/4" BSP    | 17.0                      | 16.0  | 29.5 | PNOPFC-10/7-4RG    |
| 10/7 mm    | 3/8" BSP    | 20.6                      | 16.0  | 29.5 | PNOPFC-10/7-6RG    |
| 10/8 mm    | 1/8" BSP    | 16.0                      | 16.0  | 27.4 | PNOPFC-10/8-2RG    |
| 10/8 mm    | 1/4" BSP    | 17.0                      | 16.0  | 29.5 | PNOPFC-10/8-4RG    |
| 10/8 mm    | 3/8" BSP    | 20.6                      | 16.0  | 29.5 | PNOPFC-10/8-6RG    |
| 12/9 mm    | 1/4" BSP    | 17.0                      | 19.0  | 31.0 | PNOPFC-12/9-4RG    |
| 12/9 mm    | 3/8" BSP    | 20.6                      | 19.0  | 31.0 | PNOPFC-12/9-6RG    |
| 12/10 mm   | 1/4" BSP    | 17.0                      | 19.0  | 31.0 | PNOPFC-12/10-4RG   |
| 12/10 mm   | 3/8" BSP    | 20.6                      | 19.0  | 31.0 | PNOPFC-12/10-6RG   |

## PNO - PARALLEL FEMALE BULKHEAD CONNECTOR (PNOPFBC)

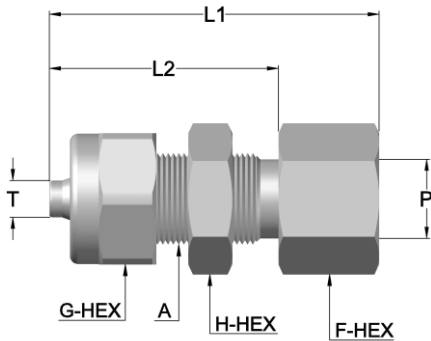
### Metric Tube to Female BSP (Parallel) pipe thread



| TUBE OD/ID | PIPE THREAD | DIMENSIONS IN MILLIMETERS |       |       |       |      |      | SEALEXCEL PART NO. |
|------------|-------------|---------------------------|-------|-------|-------|------|------|--------------------|
|            |             | A                         | F-HEX | G-HEX | H-HEX | L1   | L2   |                    |
| 6/4 mm     | 1/8" BSP    | M10 x 1                   | 14.0  | 13.0  | 14.0  | 36.8 | 25.0 | PNOPFBC-6/4-2RG    |
| 6/4 mm     | 1/4" BSP    | M10 x 1                   | 17.0  | 13.0  | 17.0  | 38.8 | 25.0 | PNOPFBC-6/4-4RG    |
| 8/5 mm     | 1/8" BSP    | M12 x 1                   | 16.0  | 14.0  | 16.0  | 37.8 | 26.0 | PNOPFBC-8/5-2RG    |
| 8/5 mm     | 1/4" BSP    | M12 x 1                   | 17.0  | 14.0  | 17.0  | 39.8 | 26.0 | PNOPFBC-8/5-4RG    |
| 8/5 mm     | 3/8" BSP    | M12 x 1                   | 20.6  | 14.0  | 20.6  | 39.8 | 26.0 | PNOPFBC-8/5-6RG    |
| 8/6 mm     | 1/8" BSP    | M12 x 1                   | 16.0  | 14.0  | 16.0  | 37.8 | 26.0 | PNOPFBC-8/6-2RG    |
| 8/6 mm     | 1/4" BSP    | M12 x 1                   | 17.0  | 14.0  | 17.0  | 39.8 | 26.0 | PNOPFBC-8/6-4RG    |
| 8/6 mm     | 3/8" BSP    | M12 x 1                   | 20.6  | 14.0  | 20.6  | 39.8 | 26.0 | PNOPFBC-8/6-6RG    |
| 10/7 mm    | 1/4" BSP    | M14 x 1                   | 19.0  | 16.0  | 19.0  | 39.8 | 26.0 | PNOPFBC-10/7-4RG   |
| 10/7 mm    | 3/8" BSP    | M14 x 1                   | 20.6  | 16.0  | 20.6  | 39.8 | 26.0 | PNOPFBC-10/7-6RG   |
| 10/8 mm    | 1/4" BSP    | M14 x 1                   | 19.0  | 16.0  | 19.0  | 39.8 | 26.0 | PNOPFBC-10/8-4RG   |
| 10/8 mm    | 3/8" BSP    | M14 x 1                   | 20.6  | 16.0  | 20.6  | 39.8 | 26.0 | PNOPFBC-10/8-6RG   |
| 12/9 mm    | 1/4" BSP    | M16 x 1                   | 20.6  | 19.0  | 20.6  | 41.8 | 28.0 | PNOPFBC-12/9-4RG   |
| 12/9 mm    | 3/8" BSP    | M16 x 1                   | 20.6  | 19.0  | 20.6  | 41.8 | 28.0 | PNOPFBC-12/9-6RG   |
| 12/10 mm   | 1/4" BSP    | M16 x 1                   | 20.6  | 19.0  | 20.6  | 41.8 | 28.0 | PNOPFBC-12/10-4RG  |
| 12/10 mm   | 3/8" BSP    | M16 x 1                   | 20.6  | 19.0  | 20.6  | 41.8 | 28.0 | PNOPFBC-12/10-6RG  |

Dimensions for reference only, subject to change without notice

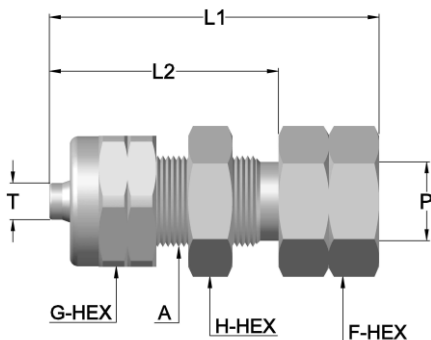
## PNO - TAPER FEMALE BULKHEAD CONNECTOR (PNOTFBC) Metric Tube to Female BSPT pipe thread



| TUBE OD/ID | PIPE THREAD | DIMENSIONS IN MILLIMETERS |      |      |       |       |       | SEALEXCEL PART NO. |
|------------|-------------|---------------------------|------|------|-------|-------|-------|--------------------|
|            |             | T                         | P    | A    | F-HEX | G-HEX | H-HEX |                    |
| 6/4 mm     | 1/8" BSPT   | M10 x 1                   | 14.0 | 13.0 | 14.0  | 37.2  | 25.0  | PNOTFBC-6/4-2RT    |
| 6/4 mm     | 1/4" BSPT   | M10 x 1                   | 17.0 | 13.0 | 17.0  | 40.3  | 25.0  | PNOTFBC-6/4-4RT    |
| 8/5 mm     | 1/8" BSPT   | M12 x 1                   | 16.0 | 14.0 | 16.0  | 38.3  | 26.0  | PNOTFBC-8/5-2RT    |
| 8/5 mm     | 1/4" BSPT   | M12 x 1                   | 17.0 | 14.0 | 17.0  | 41.3  | 26.0  | PNOTFBC-8/5-4RT    |
| 8/5 mm     | 3/8" BSPT   | M12 x 1                   | 20.6 | 14.0 | 20.6  | 41.8  | 26.0  | PNOTFBC-8/5-6RT    |
| 8/6 mm     | 1/8" BSPT   | M12 x 1                   | 16.0 | 14.0 | 16.0  | 38.3  | 26.0  | PNOTFBC-8/6-2RT    |
| 8/6 mm     | 1/4" BSPT   | M12 x 1                   | 17.0 | 14.0 | 17.0  | 41.3  | 26.0  | PNOTFBC-8/6-4RT    |
| 8/6 mm     | 3/8" BSPT   | M12 x 1                   | 20.6 | 14.0 | 20.6  | 41.8  | 26.0  | PNOTFBC-8/6-6RT    |
| 10/7 mm    | 1/4" BSPT   | M14 x 1                   | 19.0 | 16.0 | 19.0  | 41.3  | 26.0  | PNOTFBC-10/7-4RT   |
| 10/7 mm    | 3/8" BSPT   | M14 x 1                   | 20.6 | 16.0 | 20.6  | 41.8  | 26.0  | PNOTFBC-10/7-6RT   |
| 10/8 mm    | 1/4" BSPT   | M14 x 1                   | 19.0 | 16.0 | 19.0  | 41.3  | 26.0  | PNOTFBC-10/8-4RT   |
| 10/8 mm    | 3/8" BSPT   | M14 x 1                   | 20.6 | 16.0 | 20.6  | 41.8  | 26.0  | PNOTFBC-10/8-6RT   |
| 12/9 mm    | 1/4" BSPT   | M16 x 1                   | 20.6 | 19.0 | 20.6  | 43.3  | 28.0  | PNOTFBC-12/9-4RT   |
| 12/9 mm    | 3/8" BSPT   | M16 x 1                   | 20.6 | 19.0 | 20.6  | 43.8  | 28.0  | PNOTFBC-12/9-6RT   |
| 12/10 mm   | 1/4" BSPT   | M16 x 1                   | 20.6 | 19.0 | 20.6  | 43.3  | 28.0  | PNOTFBC-12/10-4RT  |
| 12/10 mm   | 3/8" BSPT   | M16 x 1                   | 20.6 | 19.0 | 20.6  | 43.8  | 28.0  | PNOTFBC-12/10-6RT  |

Metric Tube to Female NPT pipe thread are available on request

## PNO - TAPER FEMALE BULKHEAD CONNECTOR (PNOTFBC) Fractional Tube to Female NPT pipe thread



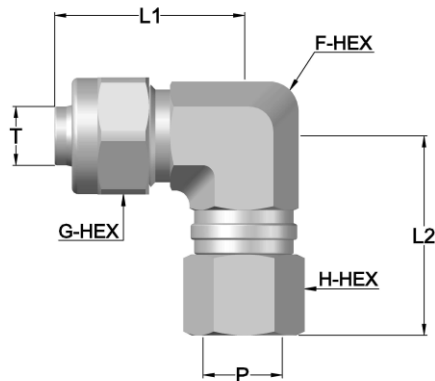
| TUBE OD/ID | PIPE THREAD | DIMENSIONS IN INCHES |       |      |       |       |       | SEALEXCEL PART NO. |
|------------|-------------|----------------------|-------|------|-------|-------|-------|--------------------|
|            |             | T                    | P     | A    | F-HEX | G-HEX | H-HEX |                    |
| 1/4-1/8    | 1/8 NPT     | M10 x 1              | 9/16  | 1/2  | 9/16  | 1.50  | 1.02  | PNOTFBC-250/2-2N   |
| 1/4-1/8    | 1/4 NPT     | M10 x 1              | 11/16 | 1/2  | 11/16 | 1.61  | 1.00  | PNOTFBC-250/2-4N   |
| 1/4-0.17   | 1/8 NPT     | M10 x 1              | 9/16  | 1/2  | 9/16  | 1.50  | 1.02  | PNOTFBC-250/17-2N  |
| 1/4-0.17   | 1/4 NPT     | M10 x 1              | 11/16 | 1/2  | 11/16 | 1.61  | 1.00  | PNOTFBC-250/17-4N  |
| 5/16-3/16  | 1/8 NPT     | M12 x 1              | 5/8   | 9/16 | 5/8   | 1.55  | 1.06  | PNOTFBC-312/3-2N   |
| 5/16-3/16  | 1/4 NPT     | M12 x 1              | 11/16 | 9/16 | 11/16 | 1.65  | 1.04  | PNOTFBC-312/3-4N   |
| 5/16-3/16  | 3/8 NPT     | M12 x 1              | 13/16 | 9/16 | 13/16 | 1.65  | 1.02  | PNOTFBC-312/3-6N   |
| 3/8-1/4    | 1/4 NPT     | M14 x 1              | 3/4   | 5/8  | 3/4   | 1.65  | 1.04  | PNOTFBC-375/4-4N   |
| 3/8-1/4    | 3/8 NPT     | M14 x 1              | 13/16 | 5/8  | 13/16 | 1.65  | 1.02  | PNOTFBC-375/4-6N   |
| 1/2-3/8    | 1/4 NPT     | M16 x 1              | 13/16 | 3/4  | 13/16 | 1.72  | 1.12  | PNOTFBC-500/6-4N   |
| 1/2-3/8    | 3/8 NPT     | M16 x 1              | 13/16 | 3/4  | 13/16 | 1.72  | 1.10  | PNOTFBC-500/6-6N   |

Fractional Tube to Female BSP/BSPT pipe thread are available on request

Dimensions for reference only, subject to change without notice

## PNO - TAPER FEMALE SWIVEL ELBOW (PNOTFSE)

### Metric Tube to Female BSPT pipe thread

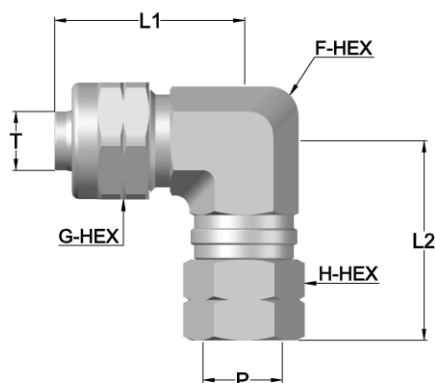


| TUBE OD/ID | PIPE THREAD | DIMENSIONS IN MILLIMETERS |       |       |      |      | SEALEXCEL PART NO. |
|------------|-------------|---------------------------|-------|-------|------|------|--------------------|
|            |             | F-HEX                     | G-HEX | H-HEX | L1   | L2   |                    |
| 6/4 mm     | 1/8" BSPT   | 10.0                      | 13.0  | 13.0  | 21.5 | 25.6 | PNOTFSE-6/4-2RT    |
| 6/4 mm     | 1/4" BSPT   | 10.0                      | 13.0  | 17.0  | 21.5 | 28.8 | PNOTFSE-6/4-4RT    |
| 8/5 mm     | 1/8" BSPT   | 12.0                      | 14.0  | 13.0  | 23.7 | 27.0 | PNOTFSE-8/5-2RT    |
| 8/5 mm     | 1/4" BSPT   | 12.0                      | 14.0  | 17.0  | 23.7 | 30.0 | PNOTFSE-8/5-4RT    |
| 8/5 mm     | 3/8" BSPT   | 12.0                      | 14.0  | 20.6  | 23.7 | 30.8 | PNOTFSE-8/5-6RT    |
| 8/6 mm     | 1/8" BSPT   | 12.0                      | 14.0  | 13.0  | 23.7 | 27.0 | PNOTFSE-8/6-2RT    |
| 8/6 mm     | 1/4" BSPT   | 12.0                      | 14.0  | 17.0  | 23.7 | 30.0 | PNOTFSE-8/6-4RT    |
| 8/6 mm     | 3/8" BSPT   | 12.0                      | 14.0  | 20.6  | 23.7 | 30.8 | PNOTFSE-8/6-6RT    |
| 10/7 mm    | 1/4" BSPT   | 14.0                      | 16.0  | 17.0  | 24.8 | 31.0 | PNOTFSE-10/7-4RT   |
| 10/7 mm    | 3/8" BSPT   | 14.0                      | 16.0  | 20.6  | 24.8 | 31.8 | PNOTFSE-10/7-6RT   |
| 10/8 mm    | 1/4" BSPT   | 14.0                      | 16.0  | 17.0  | 24.8 | 31.0 | PNOTFSE-10/8-4RT   |
| 10/8 mm    | 3/8" BSPT   | 14.0                      | 16.0  | 20.6  | 24.8 | 31.8 | PNOTFSE-10/8-6RT   |
| 12/9 mm    | 1/4" BSPT   | 16.0                      | 19.0  | 17.0  | 27.6 | 32.5 | PNOTFSE-12/9-4RT   |
| 12/9 mm    | 3/8" BSPT   | 16.0                      | 19.0  | 20.6  | 27.6 | 32.8 | PNOTFSE-12/9-6RT   |
| 12/10 mm   | 1/4" BSPT   | 16.0                      | 19.0  | 17.0  | 27.6 | 32.5 | PNOTFSE-12/10-4RT  |
| 12/10 mm   | 3/8" BSPT   | 16.0                      | 19.0  | 20.6  | 27.6 | 32.8 | PNOTFSE-12/10-6RT  |

Metric Tube to Female NPT pipe thread are available on request

## PNO - TAPER FEMALE SWIVEL ELBOW (PNOTFSE)

### Fractional Tube to Female NPT pipe thread

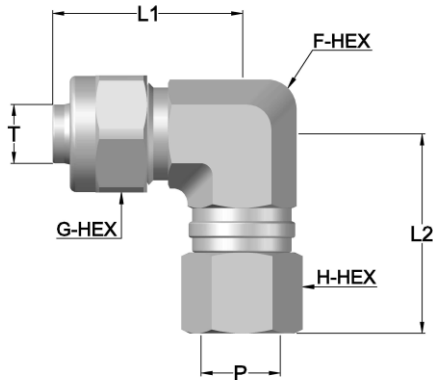


| TUBE OD/ID | PIPE THREAD | DIMENSIONS IN INCHES |       |       |      |      | SEALEXCEL PART NO. |
|------------|-------------|----------------------|-------|-------|------|------|--------------------|
|            |             | F-HEX                | G-HEX | H-HEX | L1   | L2   |                    |
| 1/4-1/8    | 1/8 NPT     | 0.39                 | 1/2   | 1/2   | 0.85 | 1.05 | PNOTFSE-250/2-2N   |
| 1/4-1/8    | 1/4 NPT     | 0.39                 | 1/2   | 11/16 | 0.85 | 1.15 | PNOTFSE-250/2-4N   |
| 1/4-0.17   | 1/8 NPT     | 0.39                 | 1/2   | 1/2   | 0.85 | 1.05 | PNOTFSE-250/17-2N  |
| 1/4-0.17   | 1/4 NPT     | 0.39                 | 1/2   | 11/16 | 0.85 | 1.15 | PNOTFSE-250/17-4N  |
| 5/16-3/16  | 1/8 NPT     | 0.47                 | 9/16  | 1/2   | 0.93 | 1.10 | PNOTFSE-312/3-2N   |
| 5/16-3/16  | 1/4 NPT     | 0.47                 | 9/16  | 11/16 | 0.93 | 1.20 | PNOTFSE-312/3-4N   |
| 5/16-3/16  | 3/8 NPT     | 0.47                 | 9/16  | 13/16 | 0.93 | 1.21 | PNOTFSE-312/3-6N   |
| 3/8-1/4    | 1/4 NPT     | 0.55                 | 5/8   | 11/16 | 0.98 | 1.24 | PNOTFSE-375/4-4N   |
| 3/8-1/4    | 3/8 NPT     | 0.55                 | 5/8   | 13/16 | 0.98 | 1.25 | PNOTFSE-375/4-6N   |
| 1/2-3/8    | 1/4 NPT     | 0.63                 | 3/4   | 11/16 | 1.09 | 1.30 | PNOTFSE-500/6-4N   |
| 1/2-3/8    | 3/8 NPT     | 0.63                 | 3/4   | 20.6  | 1.09 | 1.29 | PNOTFSE-500/6-6N   |

Fractional Tube to Female BSP/BSPT pipe thread are available on request

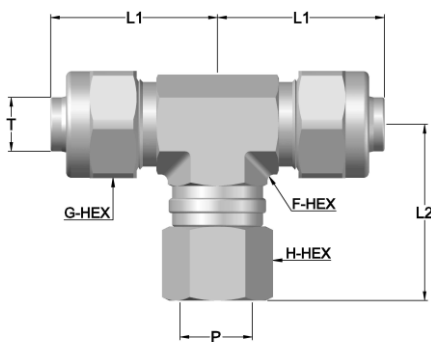
Dimensions for reference only, subject to change without notice

## PNO - PARALLEL FEMALE SWIVEL ELBOW (PNOPFSE) Metric Tube to Female BSP (Parallel) pipe thread



| TUBE OD/ID | PIPE THREAD | DIMENSIONS IN MILLIMETERS |       |       |      |      | SEALEXCEL PART NO. |
|------------|-------------|---------------------------|-------|-------|------|------|--------------------|
|            |             | F-HEX                     | G-HEX | H-HEX | L1   | L2   |                    |
| 6/4 mm     | 1/8" BSP    | 10.0                      | 13.0  | 13.0  | 21.5 | 25.0 | PNOPFSE-6/4-2RG    |
| 6/4 mm     | 1/4" BSP    | 10.0                      | 13.0  | 17.0  | 21.5 | 27.4 | PNOPFSE-6/4-4RG    |
| 8/5 mm     | 1/8" BSP    | 12.0                      | 14.0  | 13.0  | 23.7 | 26.5 | PNOPFSE-8/5-2RG    |
| 8/5 mm     | 1/4" BSP    | 12.0                      | 14.0  | 17.0  | 23.7 | 28.8 | PNOPFSE-8/5-4RG    |
| 8/5 mm     | 3/8" BSP    | 12.0                      | 14.0  | 20.6  | 23.7 | 28.8 | PNOPFSE-8/5-6RG    |
| 8/6 mm     | 1/8" BSP    | 12.0                      | 14.0  | 13.0  | 23.7 | 26.5 | PNOPFSE-8/6-2RG    |
| 8/6 mm     | 1/4" BSP    | 12.0                      | 14.0  | 17.0  | 23.7 | 28.5 | PNOPFSE-8/6-4RG    |
| 8/6 mm     | 3/8" BSP    | 12.0                      | 14.0  | 20.6  | 23.7 | 28.8 | PNOPFSE-8/6-6RG    |
| 10/7 mm    | 1/4" BSP    | 14.0                      | 16.0  | 17.0  | 24.8 | 29.5 | PNOPFSE-10/7-4RG   |
| 10/7 mm    | 3/8" BSP    | 14.0                      | 16.0  | 20.6  | 24.8 | 30.3 | PNOPFSE-10/7-6RG   |
| 10/8 mm    | 1/4" BSP    | 14.0                      | 16.0  | 17.0  | 24.8 | 29.5 | PNOPFSE-10/8-4RG   |
| 10/8 mm    | 3/8" BSP    | 14.0                      | 16.0  | 20.6  | 24.8 | 30.3 | PNOPFSE-10/8-6RG   |
| 12/9 mm    | 1/4" BSP    | 16.0                      | 19.0  | 17.0  | 27.6 | 31.0 | PNOPFSE-12/9-4RG   |
| 12/9 mm    | 3/8" BSP    | 16.0                      | 19.0  | 20.6  | 27.6 | 31.0 | PNOPFSE-12/9-6RG   |
| 12/10 mm   | 1/4" BSP    | 16.0                      | 19.0  | 20.7  | 27.6 | 31.0 | PNOPFSE-12/10-4RG  |
| 12/10 mm   | 3/8" BSP    | 16.0                      | 19.0  | 28.6  | 27.6 | 31.0 | PNOPFSE-12/10-6RG  |

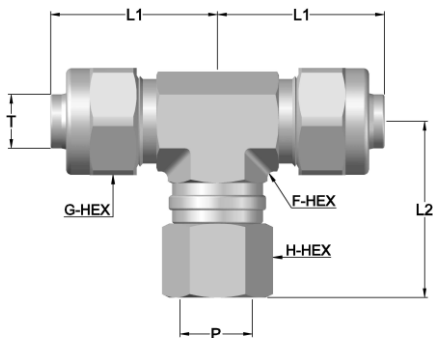
## PNO - PARALLEL FEMALE SWIVEL BRANCH TEE (PNOPFSBT) Metric Tube to Female BSP (Parallel) pipe thread



| TUBE OD/ID | PIPE THREAD | DIMENSIONS IN MILLIMETERS |       |       |      |      | SEALEXCEL PART NO. |
|------------|-------------|---------------------------|-------|-------|------|------|--------------------|
|            |             | F-HEX                     | G-HEX | H-HEX | L1   | L2   |                    |
| 6/4 mm     | 1/8" BSP    | 10.0                      | 13.0  | 13.0  | 21.5 | 25.0 | PNOPFSBT-6/4-2RG   |
| 6/4 mm     | 1/4" BSP    | 10.0                      | 13.0  | 17.0  | 21.5 | 27.4 | PNOPFSBT-6/4-4RG   |
| 8/5 mm     | 1/8" BSP    | 12.0                      | 14.0  | 13.0  | 23.7 | 26.5 | PNOPFSBT-8/5-2RG   |
| 8/5 mm     | 1/4" BSP    | 12.0                      | 14.0  | 17.0  | 23.7 | 28.5 | PNOPFSBT-8/5-4RG   |
| 8/5 mm     | 3/8" BSP    | 12.0                      | 14.0  | 20.6  | 23.7 | 28.8 | PNOPFSBT-8/5-6RG   |
| 8/6 mm     | 1/8" BSP    | 12.0                      | 14.0  | 13.0  | 23.7 | 26.5 | PNOPFSBT-8/6-2RG   |
| 8/6 mm     | 1/4" BSP    | 12.0                      | 14.0  | 17.0  | 23.7 | 28.5 | PNOPFSBT-8/6-4RG   |
| 8/6 mm     | 3/8" BSP    | 12.0                      | 14.0  | 20.6  | 23.7 | 28.8 | PNOPFSBT-8/6-6RG   |
| 10/7 mm    | 1/4" BSP    | 14.0                      | 16.0  | 17.0  | 24.8 | 29.5 | PNOPFSBT-10/7-4RG  |
| 10/7 mm    | 3/8" BSP    | 14.0                      | 16.0  | 20.6  | 24.8 | 30.3 | PNOPFSBT-10/7-6RG  |
| 10/8 mm    | 1/4" BSP    | 14.0                      | 16.0  | 17.0  | 24.8 | 29.5 | PNOPFSBT-10/8-4RG  |
| 10/8 mm    | 3/8" BSP    | 14.0                      | 16.0  | 20.6  | 24.8 | 30.3 | PNOPFSBT-10/8-6RG  |
| 12/9 mm    | 1/4" BSP    | 16.0                      | 19.0  | 17.0  | 27.6 | 30.8 | PNOPFSBT-12/9-4RG  |
| 12/9 mm    | 3/8" BSP    | 16.0                      | 19.0  | 20.6  | 27.6 | 31.0 | PNOPFSBT-12/9-6RG  |
| 12/10 mm   | 1/4" BSP    | 16.0                      | 19.0  | 17.0  | 27.6 | 30.8 | PNOPFSBT-12/10-4RG |
| 12/10 mm   | 3/8" BSP    | 16.0                      | 19.0  | 20.6  | 27.6 | 31.0 | PNOPFSBT-12/10-6RG |

Dimensions for reference only, subject to change without notice

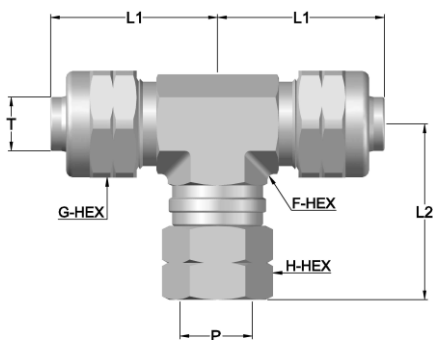
## PNO - TAPER FEMALE SWIVEL BRANCH TEE (PNOTFSBT) Metric Tube to Female BSPT pipe thread



| TUBE OD/ID | PIPE THREAD | DIMENSIONS IN MILLIMETERS |       |       |      |      | SEALEXCEL PART NO. |
|------------|-------------|---------------------------|-------|-------|------|------|--------------------|
|            |             | F-HEX                     | G-HEX | H-HEX | L1   | L2   |                    |
| 6/4 mm     | 1/8" BSPT   | 10.0                      | 13.0  | 13.0  | 21.5 | 25.6 | PNOTFSBT-6/4-2RT   |
| 6/4 mm     | 1/4" BSPT   | 10.0                      | 13.0  | 17.0  | 21.5 | 28.8 | PNOTFSBT-6/4-4RT   |
| 8/5 mm     | 1/8" BSPT   | 12.0                      | 14.0  | 13.0  | 23.7 | 27.0 | PNOTFSBT-8/5-2RT   |
| 8/5 mm     | 1/4" BSPT   | 12.0                      | 14.0  | 17.0  | 23.7 | 30.0 | PNOTFSBT-8/5-4RT   |
| 8/5 mm     | 3/8" BSPT   | 12.0                      | 14.0  | 20.6  | 23.7 | 30.8 | PNOTFSBT-8/5-6RT   |
| 8/6 mm     | 1/8" BSPT   | 12.0                      | 14.0  | 13.0  | 23.7 | 27.0 | PNOTFSBT-8/6-2RT   |
| 8/6 mm     | 1/4" BSPT   | 12.0                      | 14.0  | 17.0  | 23.7 | 30.0 | PNOTFSBT-8/6-4RT   |
| 8/6 mm     | 3/8" BSPT   | 12.0                      | 14.0  | 20.6  | 23.7 | 30.8 | PNOTFSBT-8/6-6RT   |
| 10/7 mm    | 1/4" BSPT   | 14.0                      | 16.0  | 17.0  | 24.8 | 31.0 | PNOTFSBT-10/7-4RT  |
| 10/7 mm    | 3/8" BSPT   | 14.0                      | 16.0  | 20.6  | 24.8 | 31.8 | PNOTFSBT-10/7-6RT  |
| 10/8 mm    | 1/4" BSPT   | 14.0                      | 16.0  | 17.0  | 24.8 | 31.0 | PNOTFSBT-10/8-4RT  |
| 10/8 mm    | 3/8" BSPT   | 14.0                      | 16.0  | 20.6  | 24.8 | 31.8 | PNOTFSBT-10/8-6RT  |
| 12/9 mm    | 1/4" BSPT   | 16.0                      | 19.0  | 17.0  | 27.6 | 32.5 | PNOTFSBT-12/9-4RT  |
| 12/9 mm    | 3/8" BSPT   | 16.0                      | 19.0  | 20.6  | 27.6 | 32.8 | PNOTFSBT-12/9-6RT  |
| 12/10 mm   | 1/4" BSPT   | 16.0                      | 19.0  | 17.0  | 27.6 | 32.5 | PNOTFSBT-12/10-4RT |
| 12/10 mm   | 3/8" BSPT   | 16.0                      | 19.0  | 20.6  | 27.6 | 32.8 | PNOTFSBT-12/10-6RT |

Metric Tube to Female NPT pipe thread are available on request

## PNO - TAPER FEMALE SWIVEL BRANCH TEE (PNOTFSBT) Fractional Tube to Female NPT pipe thread



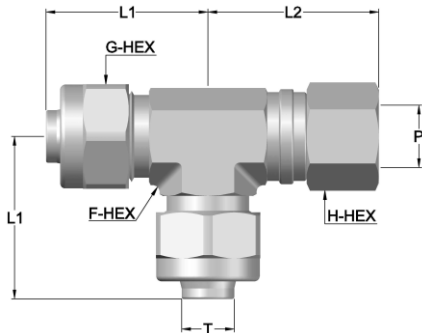
| TUBE OD/ID | PIPE THREAD | DIMENSIONS IN INCHES |       |       |      |      | SEALEXCEL PART NO. |
|------------|-------------|----------------------|-------|-------|------|------|--------------------|
|            |             | F-HEX                | G-HEX | H-HEX | L1   | L2   |                    |
| 1/4-1/8    | 1/8 NPT     | 0.39                 | 1/2   | 1/2   | 0.85 | 1.05 | PNOTFSBT-250/2-2N  |
| 1/4-1/8    | 1/4 NPT     | 0.39                 | 1/2   | 11/16 | 0.85 | 1.15 | PNOTFSBT-250/2-4N  |
| 1/4-0.17   | 1/8 NPT     | 0.39                 | 1/2   | 1/2   | 0.85 | 1.05 | PNOTFSBT-250/17-2N |
| 1/4-0.17   | 1/4 NPT     | 0.39                 | 1/2   | 11/16 | 0.85 | 1.15 | PNOTFSBT-250/17-4N |
| 5/16-3/16  | 1/8 NPT     | 0.47                 | 9/16  | 1/2   | 0.93 | 1.10 | PNOTFSBT-312/3-2N  |
| 5/16-3/16  | 1/4 NPT     | 0.47                 | 9/16  | 11/16 | 0.93 | 1.20 | PNOTFSBT-312/3-4N  |
| 5/16-3/16  | 3/8 NPT     | 0.47                 | 9/16  | 13/16 | 0.93 | 1.21 | PNOTFSBT-312/3-6N  |
| 3/8-1/4    | 1/4 NPT     | 0.55                 | 5/8   | 11/16 | 0.98 | 1.24 | PNOTFSBT-375/4-4N  |
| 3/8-1/4    | 3/8 NPT     | 0.55                 | 5/8   | 13/16 | 0.98 | 1.25 | PNOTFSBT-375/4-6N  |
| 1/2-3/8    | 1/4 NPT     | 0.63                 | 3/4   | 11/16 | 1.09 | 1.30 | PNOTFSBT-500/6-4N  |
| 1/2-3/8    | 3/8 NPT     | 0.63                 | 3/4   | 20.6  | 1.09 | 1.29 | PNOTFSBT-500/6-6N  |

Fractional Tube to Female BSP/BSPT pipe thread are available on request

Dimensions for reference only, subject to change without notice



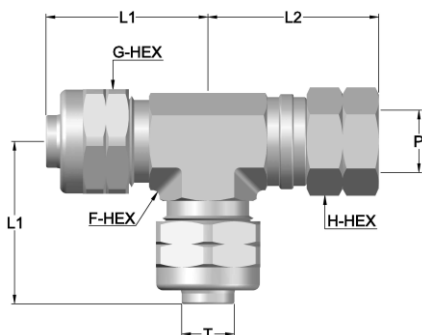
## PNO - TAPER FEMALE SWIVEL RUN TEE (PNOTFSRT) Metric Tube to Female BSPT pipe thread



| TUBE OD/ID | PIPE THREAD | DIMENSIONS IN MILLIMETERS |       |       |      |      | SEALEXCEL PART NO. |
|------------|-------------|---------------------------|-------|-------|------|------|--------------------|
|            |             | F-HEX                     | G-HEX | H-HEX | L1   | L2   |                    |
| 6/4 mm     | 1/8" BSPT   | 10.0                      | 13.0  | 13.0  | 21.5 | 25.6 | PNOTFSRT-6/4-2RT   |
| 6/4 mm     | 1/4" BSPT   | 10.0                      | 13.0  | 17.0  | 21.5 | 28.8 | PNOTFSRT-6/4-4RT   |
| 8/5 mm     | 1/8" BSPT   | 12.0                      | 14.0  | 13.0  | 23.7 | 27.0 | PNOTFSRT-8/5-2RT   |
| 8/5 mm     | 1/4" BSPT   | 12.0                      | 14.0  | 17.0  | 23.7 | 30.0 | PNOTFSRT-8/5-4RT   |
| 8/5 mm     | 3/8" BSPT   | 12.0                      | 14.0  | 20.6  | 23.7 | 30.8 | PNOTFSRT-8/5-6RT   |
| 8/6 mm     | 1/8" BSPT   | 12.0                      | 14.0  | 13.0  | 23.7 | 27.0 | PNOTFSRT-8/6-2RT   |
| 8/6 mm     | 1/4" BSPT   | 12.0                      | 14.0  | 17.0  | 23.7 | 30.0 | PNOTFSRT-8/6-4RT   |
| 8/6 mm     | 3/8" BSPT   | 12.0                      | 14.0  | 20.6  | 23.7 | 30.8 | PNOTFSRT-8/6-6RT   |
| 10/7 mm    | 1/4" BSPT   | 14.0                      | 16.0  | 17.0  | 24.8 | 31.0 | PNOTFSRT-10/7-4RT  |
| 10/7 mm    | 3/8" BSPT   | 14.0                      | 16.0  | 20.6  | 24.8 | 31.8 | PNOTFSRT-10/7-6RT  |
| 10/8 mm    | 1/4" BSPT   | 14.0                      | 16.0  | 17.0  | 24.8 | 31.0 | PNOTFSRT-10/8-4RT  |
| 10/8 mm    | 3/8" BSPT   | 14.0                      | 16.0  | 20.6  | 24.8 | 31.8 | PNOTFSRT-10/8-6RT  |
| 12/9 mm    | 1/4" BSPT   | 16.0                      | 19.0  | 17.0  | 27.6 | 32.5 | PNOTFSRT-12/9-4RT  |
| 12/9 mm    | 3/8" BSPT   | 16.0                      | 19.0  | 20.6  | 27.6 | 32.8 | PNOTFSRT-12/9-6RT  |
| 12/10 mm   | 1/4" BSPT   | 16.0                      | 19.0  | 17.0  | 27.6 | 32.5 | PNOTFSRT-12/10-4RT |
| 12/10 mm   | 3/8" BSPT   | 16.0                      | 19.0  | 20.6  | 27.6 | 32.8 | PNOTFSRT-12/10-6RT |

Metric Tube to Female NPT pipe thread are available on request

## PNO - TAPER FEMALE SWIVEL RUN TEE (PNOTFSRT) Fractional Tube to Female NPT pipe thread

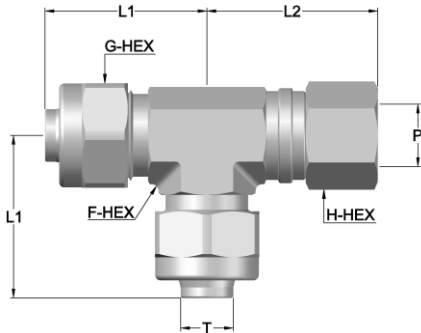


| TUBE OD/ID | PIPE THREAD | DIMENSIONS IN INCHES |       |       |      |      | SEALEXCEL PART NO. |
|------------|-------------|----------------------|-------|-------|------|------|--------------------|
|            |             | F-HEX                | G-HEX | H-HEX | L1   | L2   |                    |
| 1/4-1/8    | 1/8 NPT     | 0.39                 | 1/2   | 1/2   | 0.85 | 1.05 | PNOTFSRT-250/2-2N  |
| 1/4-1/8    | 1/4 NPT     | 0.39                 | 1/2   | 11/16 | 0.85 | 1.15 | PNOTFSRT-250/2-4N  |
| 1/4-0.17   | 1/8 NPT     | 0.39                 | 1/2   | 1/2   | 0.85 | 1.05 | PNOTFSRT-250/17-2N |
| 1/4-0.17   | 1/4 NPT     | 0.39                 | 1/2   | 11/16 | 0.85 | 1.15 | PNOTFSRT-250/17-4N |
| 5/16-3/16  | 1/8 NPT     | 0.47                 | 9/16  | 1/2   | 0.93 | 1.10 | PNOTFSRT-312/3-2N  |
| 5/16-3/16  | 1/4 NPT     | 0.47                 | 9/16  | 11/16 | 0.93 | 1.20 | PNOTFSRT-312/3-4N  |
| 5/16-3/16  | 3/8 NPT     | 0.47                 | 9/16  | 13/16 | 0.93 | 1.21 | PNOTFSRT-312/3-6N  |
| 3/8-1/4    | 1/4 NPT     | 0.55                 | 5/8   | 11/16 | 0.98 | 1.24 | PNOTFSRT-375/4-4N  |
| 3/8-1/4    | 3/8 NPT     | 0.55                 | 5/8   | 13/16 | 0.98 | 1.25 | PNOTFSRT-375/4-6N  |
| 1/2-3/8    | 1/4 NPT     | 0.63                 | 3/4   | 11/16 | 1.09 | 1.30 | PNOTFSRT-500/6-4N  |
| 1/2-3/8    | 3/8 NPT     | 0.63                 | 3/4   | 20.6  | 1.09 | 1.29 | PNOTFSRT-500/6-6N  |

Fractional Tube to Female BSP/BSPT pipe thread are available on request

Dimensions for reference only, subject to change without notice

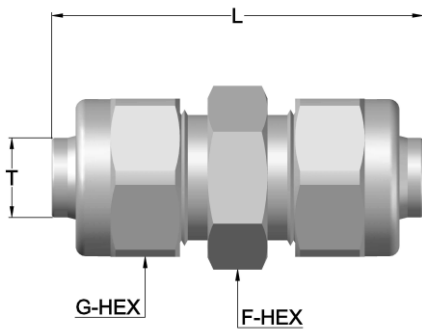
## PNO - PARALLEL FEMALE SWIVEL RUN TEE (PNOPFSRT) Metric Tube to Female BSP (Parallel) pipe thread



| TUBE OD/ID | PIPE THREAD | DIMENSIONS IN MILLIMETERS |       |       |      |      | SEALEXCEL PART NO. |
|------------|-------------|---------------------------|-------|-------|------|------|--------------------|
|            |             | F-HEX                     | G-HEX | H-HEX | L1   | L2   |                    |
| 6/4 mm     | 1/8" BSP    | 10.0                      | 13.0  | 13.0  | 21.5 | 25.0 | PNOPFSRT-6/4-2RG   |
| 6/4 mm     | 1/4" BSP    | 10.0                      | 13.0  | 17.0  | 21.5 | 27.4 | PNOPFSRT-6/4-4RG   |
| 8/5 mm     | 1/8" BSP    | 12.0                      | 14.0  | 13.0  | 23.7 | 26.5 | PNOPFSRT-8/5-2RG   |
| 8/5 mm     | 1/4" BSP    | 12.0                      | 14.0  | 17.0  | 23.7 | 28.5 | PNOPFSRT-8/5-4RG   |
| 8/5 mm     | 3/8" BSP    | 12.0                      | 14.0  | 20.6  | 23.7 | 28.8 | PNOPFSRT-8/5-6RG   |
| 8/6 mm     | 1/8" BSP    | 12.0                      | 14.0  | 13.0  | 23.7 | 26.5 | PNOPFSRT-8/6-2RG   |
| 8/6 mm     | 1/4" BSP    | 12.0                      | 14.0  | 17.0  | 23.7 | 28.5 | PNOPFSRT-8/6-4RG   |
| 8/6 mm     | 3/8" BSP    | 12.0                      | 14.0  | 20.6  | 23.7 | 28.8 | PNOPFSRT-8/6-6RG   |
| 10/7 mm    | 1/4" BSP    | 14.0                      | 16.0  | 17.0  | 24.8 | 29.5 | PNOPFSRT-10/7-4RG  |
| 10/7 mm    | 3/8" BSP    | 14.0                      | 16.0  | 20.6  | 24.8 | 30.3 | PNOPFSRT-10/7-6RG  |
| 10/8 mm    | 1/4" BSP    | 14.0                      | 16.0  | 17.0  | 24.8 | 29.5 | PNOPFSRT-10/8-4RG  |
| 10/8 mm    | 3/8" BSP    | 14.0                      | 16.0  | 20.6  | 24.8 | 30.3 | PNOPFSRT-10/8-6RG  |
| 12/9 mm    | 1/4" BSP    | 16.0                      | 19.0  | 17.0  | 27.6 | 30.8 | PNOPFSRT-12/9-4RG  |
| 12/9 mm    | 3/8" BSP    | 16.0                      | 19.0  | 20.6  | 27.6 | 31.0 | PNOPFSRT-12/9-6RG  |
| 12/10 mm   | 1/4" BSP    | 16.0                      | 19.0  | 17.0  | 27.6 | 30.8 | PNOPFSRT-12/10-4RG |
| 12/10 mm   | 3/8" BSP    | 16.0                      | 19.0  | 20.6  | 27.6 | 31.0 | PNOPFSRT-12/10-6RG |

## PNO - UNION (PNOU)

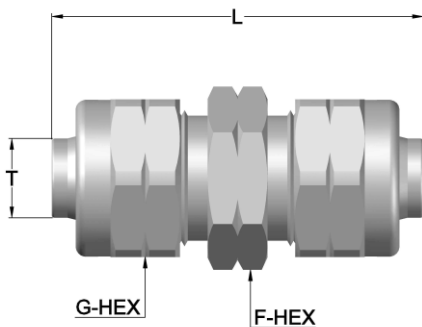
### Metric Tube to Tube connection



| TUBE OD/ID | DIMENSIONS IN MILLIMETERS |       |      | SEALEXCEL PART NO. |
|------------|---------------------------|-------|------|--------------------|
|            | F-HEX                     | G-HEX | L    |                    |
| 6/4 mm     | 13.0                      | 13.0  | 33.7 | PNOU-6/4           |
| 8/5 mm     | 14.0                      | 14.0  | 37.0 | PNOU-8/5           |
| 8/6 mm     | 14.0                      | 14.0  | 37.0 | PNOU-8/6           |
| 10/7 mm    | 16.0                      | 16.0  | 37.4 | PNOU-10/7          |
| 10/8 mm    | 16.0                      | 16.0  | 37.4 | PNOU-10/8          |
| 12/9 mm    | 17.0                      | 19.0  | 41.0 | PNOU-12/9          |
| 12/10 mm   | 17.0                      | 19.0  | 41.0 | PNOU-12/10         |

## PNO - UNION (PNOU)

### Fractional Tube to Tube connection

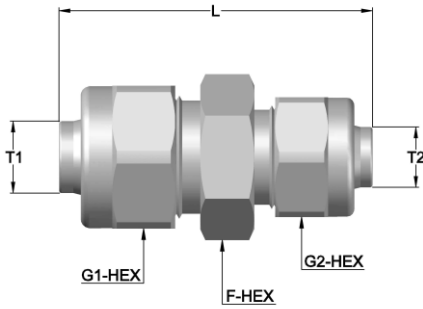


| TUBE OD/ID | DIMENSIONS IN INCHES |       |      | SEALEXCEL PART NO. |
|------------|----------------------|-------|------|--------------------|
|            | F-HEX                | G-HEX | L1   |                    |
| 1/4-1/8    | 1/2                  | 1/2   | 1.33 | PNOU-250/2         |
| 1/4-0.17   | 1/2                  | 1/2   | 1.33 | PNOU-250/17        |
| 5/16-3/16  | 9/16                 | 9/16  | 1.46 | PNOU-312/3         |
| 3/8-1/4    | 5/8                  | 5/8   | 1.47 | PNOU-375/4         |
| 1/2-3/8    | 11/16                | 3/4   | 1.61 | PNOU-500/6         |

Dimensions for reference only, subject to change without notice

## PNO - REDUCING UNION (PNORU)

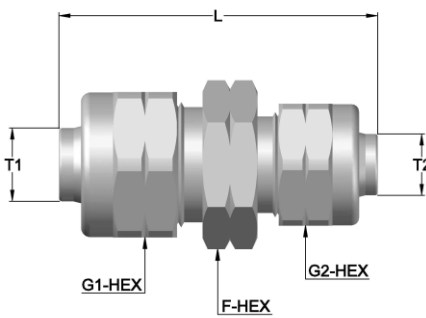
### Metric Tube to Tube connection



| TUBE OD/ID | TUBE OD/ID | DIMENSIONS IN MILLIMETERS |      |       |        | SEALEXCEL PART NO. |
|------------|------------|---------------------------|------|-------|--------|--------------------|
|            |            | T                         | T2   | F-HEX | G1-HEX |                    |
| 8/6 mm     | 6/4        | 14.0                      | 14.0 | 13.0  | 35.0   | PNORU-8/6-6/4      |
| 10/8 mm    | 6/4        | 14.0                      | 16.0 | 13.0  | 36.0   | PNORU-10/8-6/4     |
| 10/7 mm    | 8/5        | 16.0                      | 16.0 | 14.0  | 36.7   | PNORU-10/7-8/5     |
| 10/8 mm    | 8/6        | 16.0                      | 16.0 | 14.0  | 36.7   | PNORU-10/8-8/6     |
| 12/9 mm    | 8/5        | 17.0                      | 19.0 | 14.0  | 38.5   | PNORU-12/9-8/5     |
| 12/9 mm    | 10/7       | 17.0                      | 19.0 | 16.0  | 38.5   | PNORU-12/9-10/7    |
| 12/10 mm   | 8/6        | 17.0                      | 19.0 | 14.0  | 38.5   | PNORU-12/10-8/6    |
| 12/10 mm   | 10/8       | 17.0                      | 19.0 | 16.0  | 38.5   | PNORU-12/10-10/8   |

## PNO - REDUCING UNION (PNORU)

### Fractional Tube to Tube connection

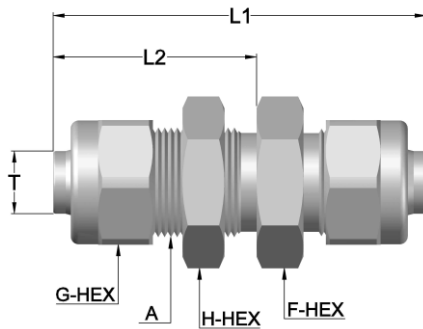


| TUBE OD/ID | TUBE OD/ID | DIMENSIONS IN INCHES |      |       |        | SEALEXCEL PART NO.  |
|------------|------------|----------------------|------|-------|--------|---------------------|
|            |            | T                    | T2   | F-HEX | G1-HEX |                     |
| 5/16-3/16  | 1/4-1/8    | 9/16                 | 9/16 | 1/2   | 1.37   | PNORU-312/3-250/2   |
| 5/16-3/16  | 1/4-0.17   | 9/16                 | 9/16 | 1/2   | 1.37   | PNORU-312/3-250/17  |
| 3/8-1/4    | 1/4-1/8    | 5/8                  | 5/8  | 1/2   | 1.41   | PNO RU-375/4-250/2  |
| 3/8-1/4    | 1/4-0.17   | 5/8                  | 5/8  | 1/2   | 1.41   | PNO RU-375/4-250/17 |
| 3/8-1/4    | 5/16-3/16  | 5/8                  | 5/8  | 9/16  | 1.41   | PNO RU-375/4-312/3  |
| 1/2-3/8    | 5/16-3/16  | 11/16                | 3/4  | 9/16  | 1.51   | PNO RU-500/6-312/3  |
| 1/2-3/8    | 3/8-3/16   | 11/16                | 3/4  | 9/16  | 1.51   | PNO RU-500/6-312/3  |

Dimensions for reference only, subject to change without notice

## PNO - BULKHEAD UNION (PNOBU)

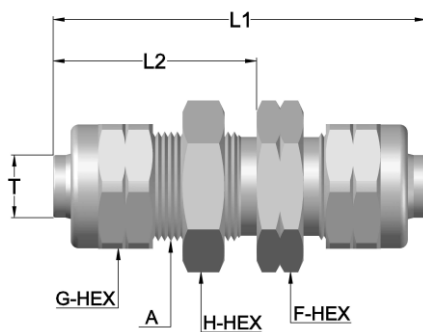
### Metric Tube to Tube connection



| TUBE OD/ID | DIMENSIONS IN MILLIMETERS |      |       |       |       |      | SEALEXCEL PART NO. |
|------------|---------------------------|------|-------|-------|-------|------|--------------------|
|            | T                         | A    | F-HEX | G-HEX | H-HEX | L1   |                    |
| 6/4 mm     | M10 x 1                   | 14.0 | 13.0  | 14.0  | 44.4  | 25.0 | PNOBU-6/4          |
| 8/5 mm     | M12 x 1                   | 16.0 | 14.0  | 16.0  | 47.3  | 26.0 | PNOBU-8/5          |
| 8/6 mm     | M12 x 1                   | 16.0 | 14.0  | 16.0  | 47.3  | 26.0 | PNOBU-8/6          |
| 10/7 mm    | M14 x 1                   | 19.0 | 16.0  | 19.0  | 47.7  | 26.0 | PNOBU-10/7         |
| 10/8 mm    | M14 x 1                   | 19.0 | 16.0  | 19.0  | 47.7  | 26.0 | PNOBU-10/8         |
| 12/9 mm    | M16 x 1                   | 20.6 | 19.0  | 20.6  | 51.5  | 28.0 | PNOBU-12/9         |
| 12/10 mm   | M16 x 1                   | 20.6 | 19.0  | 20.6  | 51.5  | 28.0 | PNOBU-12/10        |

## PNO - BULKHEAD UNION (PNOBU)

### Fractional Tube to Tube connection

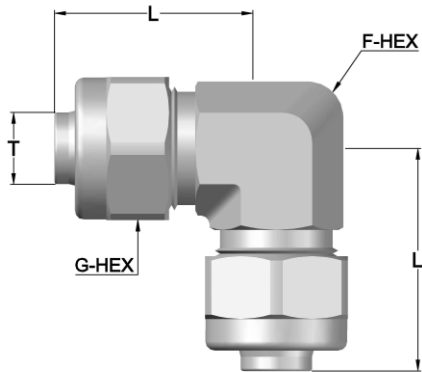


| TUBE OD/ID | DIMENSIONS IN INCHES |       |       |       |      |              | SEALEXCEL PART NO. |
|------------|----------------------|-------|-------|-------|------|--------------|--------------------|
|            | T                    | A     | G-HEX | H-HEX | L1   | L2           |                    |
| 1/4-1/8    | M10 x 1              | 1/2   | 9/16  | 1.75  | 0.98 | PNOBU-250/2  |                    |
| 1/4-0.17   | M10 x 1              | 1/2   | 9/16  | 1.75  | 0.98 | PNOBU-250/17 |                    |
| 5/16-3/16  | M12 x 1              | 9/16  | 5/8   | 1.86  | 1.02 | PNOBU-312/3  |                    |
| 3/8-1/4    | M14 x 1              | 11/16 | 3/4   | 1.88  | 1.02 | PNOBU-375/4  |                    |
| 1/2-3/8    | M16 x 1              | 3/4   | 13/16 | 2.03  | 1.10 | PNOBU-500/6  |                    |

Dimensions for reference only, subject to change without notice

## PNO - UNION ELBOW (PNOUE)

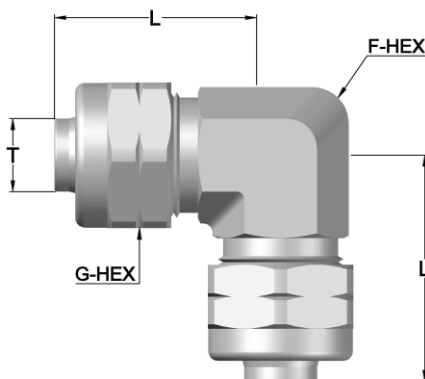
### Metric Tube to Tube connection



| TUBE OD/ID | DIMENSIONS IN MILLIMETERS |       |      | SEALEXCEL PART NO. |
|------------|---------------------------|-------|------|--------------------|
|            | F-HEX                     | G-HEX | L    |                    |
| 6/4 mm     | 10.0                      | 13.0  | 21.5 | PNOUE-6/4          |
| 8/5 mm     | 12.0                      | 14.0  | 23.7 | PNOUE-8/5          |
| 8/6 mm     | 12.0                      | 14.0  | 23.7 | PNOUE-8/6          |
| 10/7 mm    | 14.0                      | 16.0  | 24.8 | PNOUE-10/7         |
| 10/8 mm    | 14.0                      | 16.0  | 24.8 | PNOUE-10/8         |
| 12/9 mm    | 16.0                      | 19.0  | 27.6 | PNOUE-12/9         |
| 12/10 mm   | 16.0                      | 19.0  | 27.6 | PNOUE-12/10        |

## PNO - UNION ELBOW (PNOUE)

### Fractional Tube to Tube connection

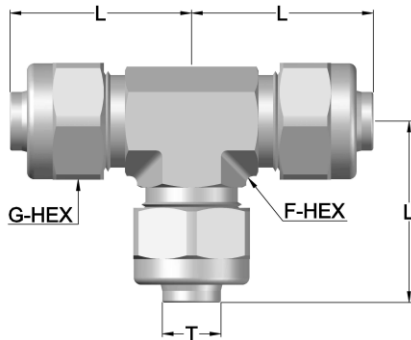


| TUBE OD/ID | DIMENSIONS IN INCHES |       |      | SEALEXCEL PART NO. |
|------------|----------------------|-------|------|--------------------|
|            | F-HEX                | G-HEX | L1   |                    |
| 1/4-1/8    | 0.39                 | 1/2   | 0.85 | PNOUE-250/2        |
| 1/4-0.17   | 0.39                 | 1/2   | 0.85 | PNOUE-250/17       |
| 5/16-3/16  | 0.47                 | 9/16  | 0.93 | PNOUE-312/3        |
| 3/8-1/4    | 0.55                 | 11/16 | 0.98 | PNOUE-375/4        |
| 1/2-3/8    | 0.63                 | 3/4   | 1.09 | PNOUE-500/6        |

Dimensions for reference only, subject to change without notice

## PNO - UNION TEE (PNOUT)

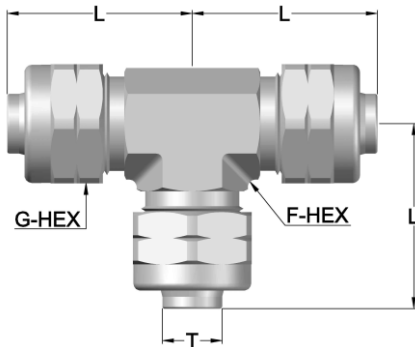
### Metric Tube to Tube connection



| TUBE OD/ID | DIMENSIONS IN MILLIMETERS |       |      | SEALEXCEL PART NO. |
|------------|---------------------------|-------|------|--------------------|
|            | F-HEX                     | G-HEX | L    |                    |
| 6/4 mm     | 10.0                      | 13.0  | 21.5 | PNOUT-6/4          |
| 8/5mm      | 12.0                      | 14.0  | 23.7 | PNOUT-8/5          |
| 8/6 mm     | 12.0                      | 14.0  | 23.7 | PNOUT-8/6          |
| 10/7 mm    | 14.0                      | 16.0  | 24.8 | PNOUT-10/7         |
| 10/8 mm    | 14.0                      | 16.0  | 24.8 | PNOUT-10/8         |
| 12/9 mm    | 16.0                      | 19.0  | 27.6 | PNOUT-12/9         |
| 12/10 mm   | 16.0                      | 19.0  | 27.6 | PNOUT-12/10        |

## PNO - UNION TEE (PNOUT)

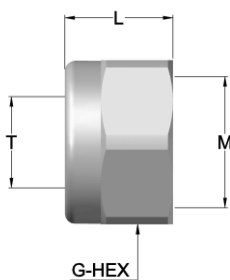
### Fractional Tube to Tube connection



| TUBE OD/ID | DIMENSIONS IN INCHES |       |      | SEALEXCEL PART NO. |
|------------|----------------------|-------|------|--------------------|
|            | F-HEX                | G-HEX | L    |                    |
| 1/4-1/8    | 0.39                 | 1/2   | 0.85 | PNOUT-250/2        |
| 1/4-0.17   | 0.39                 | 1/2   | 0.85 | PNOUT-250/17       |
| 5/16-3/16  | 0.47                 | 9/16  | 0.93 | PNOUT-312/3        |
| 3/8-1/4    | 0.55                 | 11/16 | 0.98 | PNOUT-375/4        |
| 1/2-3/8    | 0.63                 | 3/4   | 1.09 | PNOUT-500/6        |

## PNO - NUT (PNON)

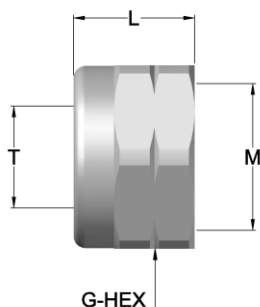
### Metric Tube



| TUBE OD/ID | THREAD SIZE | DIMENSIONS IN MILLIMETERS |      | SEALEXCEL PART NO. |
|------------|-------------|---------------------------|------|--------------------|
|            |             | G-HEX                     | L    |                    |
| 6 mm       | M10 X 1     | 13.0                      | 10.5 | PNON-6             |
| 8 mm       | M12 X 1     | 14.0                      | 11.5 | PNON-8             |
| 10 mm      | M14 X 1     | 16.0                      | 11.5 | PNON-10            |
| 12 mm      | M16 X 1     | 19.0                      | 13.0 | PNON-12            |

## PNO - NUT (PNON)

### Fractional Tube



| TUBE OD/ID | THREAD SIZE | DIMENSIONS IN INCHES |      | SEALEXCEL PART NO. |
|------------|-------------|----------------------|------|--------------------|
|            |             | G-HEX                | L    |                    |
| 1/4        | M10 X 1     | 1/2                  | 0.41 | PNON-250           |
| 5/16       | M12 X 1     | 9/16                 | 0.45 | PNON-312           |
| 3/8        | M14 X 1     | 5/8                  | 0.45 | PNON-375           |
| 1/2        | M16 X 1     | 3/4                  | 0.51 | PNON-500           |

Dimensions for reference only, subject to change without notice