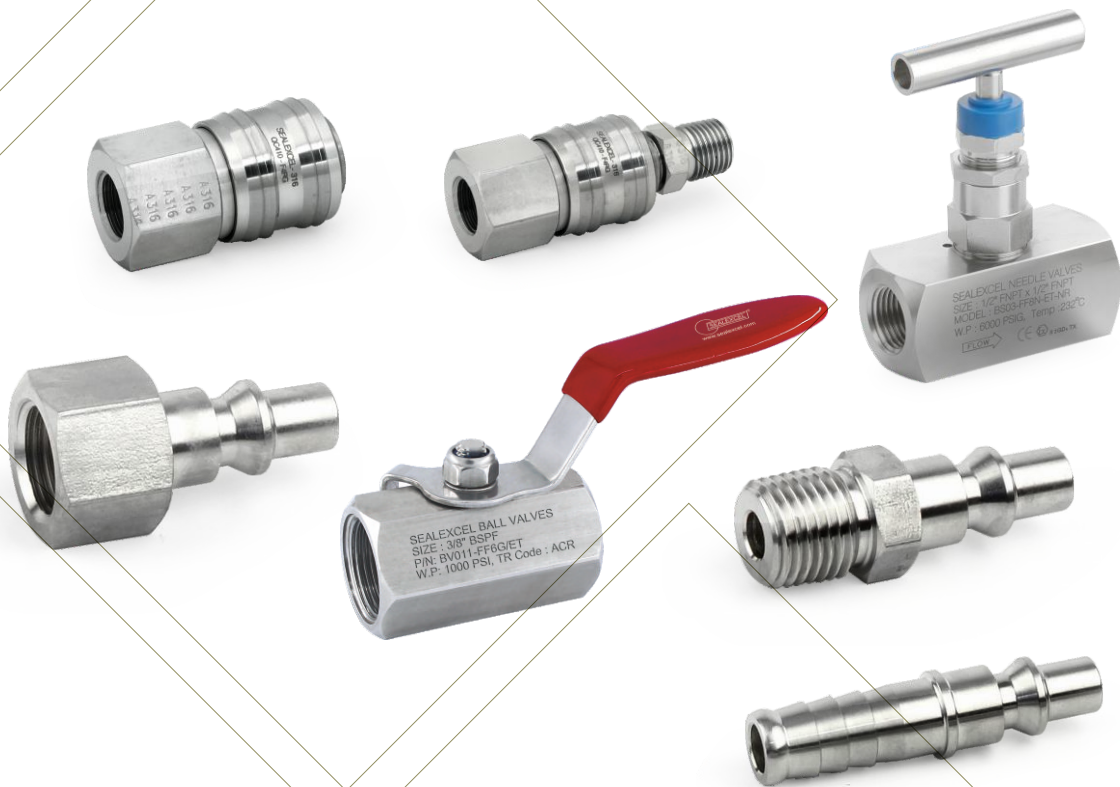


STAINLESS STEEL QUICK CONNECT COUPLINGS & BALL VALVES



Applications

SEALEXCEL® Stainless Steel Single Valve Quick Connect Couplings are resistance to aggressive environments and corrosive fluids etc. and are generally used in many application across a wide sector of industries such as

- Pneumatic Control
- Air Supply to pneumatic machines
- Automation devices
- Robotics
- Portable Equipment (Screw-driving & Drilling machines etc.)
- Machines or equipments with a high air flow rate (Jacks, Pneumatics Wrenches, Compressors etc.)
- Laboratories (Medical, Pharmaceutical etc.)
- Coachwork, Paint shops etc.
- Instrumentation

Features

- Robust in construction
- Easy for manual connection and disconnection
- No tools required for connection and disconnection
- Reliable leak tight Sealing System
- Durable pin-locking mechanism assures reliable Connection
- Valves guide positively aligns valves with seat to prevent leakage
- Available with nominal flow passage size 2.5mm, 5mm, and 7.5mm.
- Available as a standard in a SS316 construction with Fluorocarbon 'O' Ring.

Designs

SEALEXCEL® Stainless Steel Single Valve Quick Connect Couplings have been carefully designed and manufactured to very stringent tolerances under rigid quality control procedures approve to ISO 9001 to provide zero leak connections.

ORDERING INFORMATION

The part number describes the complete Assembly of Quick connect Coupling without Plug.

Example: QC410-25-2FRG/EV

QC410	25	2	FRG	E	V
Series of Coupling	Flow Passage	Size of pipe thread	Type of thread	Material	'O' Ring
QC410	2.5 mm	1/8"	BSP Female	SS316	Viton

For Plugs

Example: P410-25-2FRG/E

P410	25	2	FRG	E
Series of Plug	Flow Passage	Size of pipe thread	Type of thread	Material
P410	2.5 mm	1/8"	BSP Female	SS316

PIPE THREAD SIZE CODE DESCRIPTION

Size	Code
1/8	2
1/4	4
3/8	6
1/2	8

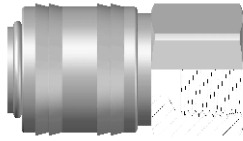
THREAD CODE DESCRIPTION

Type of Thread	Code
BSPT-Male	MRT
BSPT-Female	FRT
Hose Barb	HOSE
NPT-Male	MN
NPT-Female	FN
BSP-Female	FRG

MATERIAL CODE DESCRIPTION

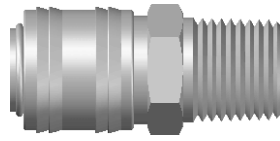
Material	Code
SS316	E
Viton	V
Buna	N

**Female Coupler,
 BSP, BSPT, and NPT pipe thread**



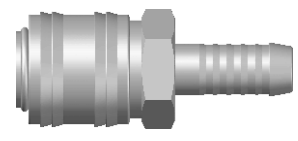
Page 98

**Male Coupler,
 BSPT and NPT pipe thread**



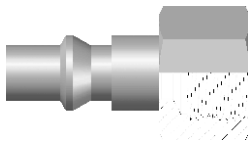
Page 98

**Hose Barb coupler,
 Metric and Fractional Hose**



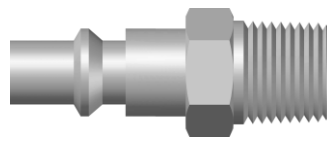
Page 99

**Female Plug,
 BSP, BSPT and NPT Pipe Thread**



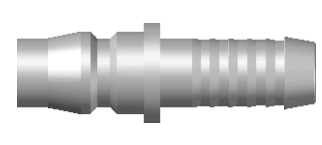
Page 100

**MALE PLUG,
 BSPT and NPT Pipe Thread**



Page 100

**Plug Hose Barb,
 Metric and Fractional Hose**



Page 101

**Low/Medium Pressure
 Bar Stock Body 2/3 Way Ball Valves**



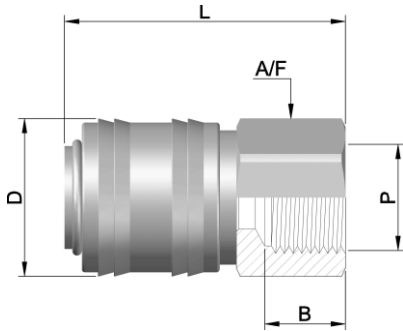
Page 102

Needle Valves



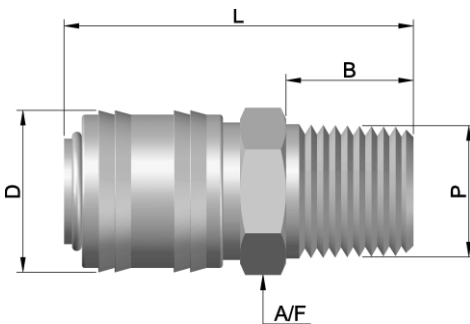
Page 104

Female Coupler BSP, BSPT, and NPT pipe thread



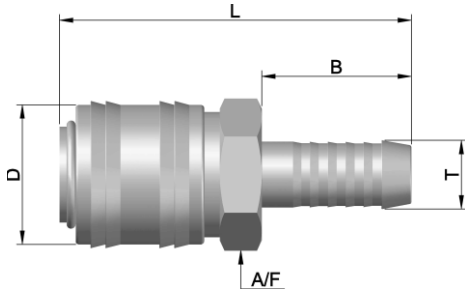
Female Pipe Thread	Flow Passage Ø mm	DIMENSIONS IN MILLIMETERS/INCHES				SEALEXCEL PART NO.
		B	D	L	A/F	
1/8 BSP	2.5	10.0	17.0	38.0	14.0	QC410-25-2FRG
1/4 BSP	2.5	12.0	17.0	44.0	17.0	QC410-25-4FRG
1/8 BSPT	2.5	8.5	17.0	37.0	14.0	QC410-25-2FRT
1/4 BSPT	2.5	12.0	17.0	44.0	17.0	QC410-25-4FRT
1/8 NPT	2.5	9.0	17.0	37.0	9/16"	QC410-25-2FN
1/4 NPT	2.5	12.5	17.0	44.5	11/16"	QC410-25-4FN
1/4 BSP	5.0	12.0	25.0	48.0	22.0	QC410-50-4FRG
3/8 BSP	5.0	12.0	25.0	48.0	22.0	QC410-50-6FRG
1/2 BSP	5.0	15.0	25.0	51.5	27.0	QC410-50-8FRG
1/4 BSPT	5.0	12.0	25.0	48.0	22.0	QC410-50-4FRT
3/8 BSPT	5.0	12.5	25.0	48.5	22.0	QC410-50-6FRT
1/2 BSPT	5.0	16.5	25.0	53.0	27.0	QC410-50-8FRT
1/4 NPT	5.0	12.5	25.0	48.5	7/8	QC410-50-4FN
3/8 NPT	5.0	12.5	25.0	48.5	7/8	QC410-50-6FN
1/2 NPT	5.0	17.5	25.0	53.5	1-1/16	QC410-50-8FN
1/4 BSP	7.5	12.0	28.0	50.0	22.0	QC410-75-4FRG
3/8 BSP	7.5	12.0	28.0	50.0	22.0	QC410-75-6FRG
1/2 BSP	7.5	14.0	28.0	52.0	27.0	QC410-75-8FRG
1/4 BSPT	7.5	12.0	28.0	50.0	22.0	QC410-75-4FRT
3/8 BSPT	7.5	12.5	28.0	50.5	22.0	QC410-75-6FRT
1/2 BSPT	7.5	16.5	28.0	54.5	27.0	QC410-75-8FRT
1/4 NPT	7.5	12.5	28.0	50.0	7/8"	QC410-75-4FN
3/8 NPT	7.5	12.5	28.0	50.5	7/8"	QC410-75-6FN
1/2 NPT	7.5	17.5	28.0	54.5	1-1/16"	QC410-75-8FN

Male Coupler BSPT and NPT pipe thread



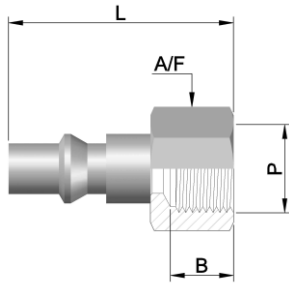
Male Pipe Thread	Flow Passage Ø mm	DIMENSIONS IN MILLIMETERS/INCHES				SEALEXCEL PART NO.
		B	D	L	A/F	
1/8 BSPT	2.5	8.0	17.0	40.0	14.0	QC410-25-2MRT
1/4 BSPT	2.5	11.5	17.0	42.0	14.0	QC410-25-4MRT
1/8 NPT	2.5	8.0	17.0	40.0	9/16"	QC410-25-2MN
1/4 NPT	2.5	12.0	17.0	41.0	9/16"	QC410-25-4MN
1/4 BSPT	5.0	11.5	25.0	47.0	22.0	QC410-50-4MRT
3/8 BSPT	5.0	12.0	25.0	47.5	22.0	QC410-50-6MRT
1/2 BSPT	5.0	16.0	25.0	51.5	22.0	QC410-50-8MRT
1/4 NPT	5.0	12.0	25.0	47.5	7/8"	QC410-50-4MN
3/8 NPT	5.0	12.0	25.0	47.5	7/8"	QC410-50-6MN
1/2 NPT	5.0	17.0	25.0	52.5	7/8"	QC410-50-8MN
1/4 BSPT	7.5	11.5	28.0	48.0	22.0	QC410-75-4MRT
3/8 BSPT	7.5	12.0	28.0	48.5	22.0	QC410-75-6MRT
1/2 BSPT	7.5	16.0	28.0	52.5	22.0	QC410-75-8MRT
1/4 NPT	7.5	12.0	28.0	48.5	7/8"	QC410-75-4MN
3/8 NPT	7.5	12.0	28.0	48.5	7/8"	QC410-75-6MN
1/2 NPT	7.5	17.0	28.0	53.5	7/8"	QC410-75-8MN

Hose Barb coupler Metric and Fractional Hose



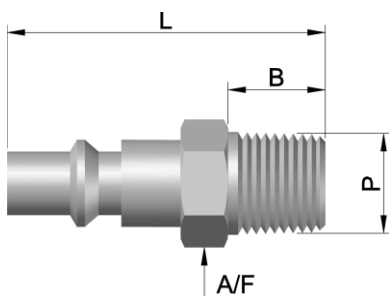
Hose OD/ID	Flow Passage	DIMENSIONS IN MILLIMETERS/INCHES				SEALEXCEL PART NO.
		T	Ø mm	B	D	
6/4 MM	2.5	22.0	17.0	54.0	14.0	QC410-25-6/4HOSE
8/5 MM	2.5	22.0	17.0	54.0	14.0	QC410-25-8/5HOSE
8/6 MM	2.5	22.0	17.0	54.0	14.0	QC410-25-8/6HOSE
5/16-3/16	2.5	22.0	17.0	54.0	9/16	QC410-25-312/3HOSE
3/8-1/4	2.5	22.0	17.0	54.0	9/16	QC410-25-375/4HOSE
1/2-3/8	2.5	22.0	17.0	54.0	5/8	QC410-25-500/6HOSE
8/5 MM	5.0	25.0	25.0	60.5	22.0	QC410-50-8/5HOSE
8/6 MM	5.0	25.0	25.0	60.5	22.0	QC410-50-8/6HOSE
10/7 MM	5.0	25.0	25.0	60.5	22.0	QC410-50-10/7HOSE
10/8 MM	5.0	25.0	25.0	62.5	22.0	QC410-50-10/8HOSE
12/9 MM	5.0	25.0	25.0	62.5	22.0	QC410-50-12/9HOSE
12/10 MM	5.0	25.0	25.0	60.5	22.0	QC410-50-12/10HOSE
14/11 MM	5.0	25.0	25.0	60.5	22.0	QC410-50-14/11HOSE
16/13 MM	5.0	25.0	25.0	60.5	22.0	QC410-50-16/13HOSE
5/16-3/16	5.0	25.0	25.0	61.5	7/8	QC410-50-312/3HOSE
3/8-1/4	5.0	27.0	25.0	61.5	7/8	QC410-50-375/4HOSE
1/2-3/8	5.0	27.0	25.0	62.5	7/8	QC410-50-500/6HOSE
10/7 MM	7.5	25.0	28.0	61.5	22.0	QC410-75-10/7HOSE
10/8 MM	7.5	25.0	28.0	61.5	22.0	QC410-75-10/8HOSE
12/9 MM	7.5	25.0	28.0	61.5	22.0	QC410-75-12/9HOSE
12/10 MM	7.5	25.0	28.0	61.5	22.0	QC410-75-12/10HOSE
14/11 MM	7.5	27.0	28.0	63.5	22.0	QC410-75-14/11HOSE
16/13 MM	7.5	27.0	28.0	63.5	22.0	QC410-75-16/13HOSE
3/8-1/4	7.5	25.0	28.0	61.5	7/8	QC410-75-375/4HOSE
1/2-3/8	7.5	25.0	28.0	61.5	7/8	QC410-75-500/6HOSE

Female Plug BSP, BSPT and NPT Pipe Thread



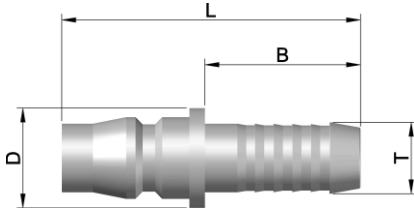
Male Pipe Thread	Flow Passage Ø mm	DIMENSIONS IN MILLIMETERS/INCHES			SEALEXCEL PART NO.
		B	L	A/F	
1/8 BSP	2.5	10.0	26.5	14.0	P410-25-2FRG
1/4 BSP	2.5	12.0	28.5	17.0	P410-25-4FRG
1/8 BSPT	2.5	8.5	25.0	14.0	P410-25-2FRT
1/4 BSPT	2.5	12.0	28.5	17.0	P410-25-4FRT
1/8 NPT	2.5	9.0	25.5	9/16"	P410-25-2FN
1/4 NPT	2.5	12.5	29.0	11/16"	P410-25-4FN
1/4 BSP	5.0	12.0	36.5	17.0	P410-50-4FRG
3/8 BSP	5.0	12.0	36.5	20.6	P410-50-6FRG
1/2 BSP	5.0	15.0	39.5	27.0	P410-50-8FRG
1/4 BSPT	5.0	12.0	36.5	17.45	P410-50-4FRT
3/8 BSPT	5.0	12.5	37.0	20.6	P410-50-6FRT
1/2 BSPT	5.0	16.5	41.0	27.0	P410-50-8FRT
1/4 NPT	5.0	12.5	37.0	11/16	P410-50-4FN
3/8 NPT	5.0	12.5	37.0	13/16	P410-50-6FN
1/2 NPT	5.0	17.5	42.0	1-1/16	P410-50-8FN
1/4 BSP	7.5	12.0	35.0	17.0	P410-75-4FRG
3/8 BSP	7.5	12.0	35.0	20.6	P410-75-6FRG
1/2 BSP	7.5	14.0	37.0	27.0	P410-75-8FRG
1/4 BSPT	7.5	12.0	35.0	17.0	P410-75-4FRT
3/8 BSPT	7.5	12.5	35.5	20.6	P410-75-6FRT
1/2 BSPT	7.5	16.5	39.5	27.0	P410-75-8FRT
1/4 NPT	7.5	12.5	35.5	11/16	P410-75-4FN
3/8 NPT	7.5	12.5	35.5	13/16	P410-75-6FN
1/2 NPT	7.5	17.5	41.0	1-1/16	P410-75-8FN

MALE PLUG BSPT and NPT Pipe Thread



Male Pipe Thread	Flow Passage Ø mm	DIMENSIONS IN MILLIMETERS/INCHES			SEALEXCEL PART NO.
		B	L	A/F	
1/8 BSPT	2.5	8.0	27.5	14.0	P410-25-2MRT
1/4 BSPT	2.5	11.5	31.0	14.0	P410-25-4MRT
1/8 NPT	2.5	8.0	27.5	9/16	P410-25-2MNN
1/4 NPT	2.5	12.0	31.5	9/16	P410-25-4MNN
1/4 BSPT	5.0	11.5	39.5	14.0	P410-50-4MRT
3/8 BSPT	5.0	12.0	40.0	17.0	P410-50-6MRT
1/2 BSPT	5.0	16.0	45.0	22.0	P410-50-8MRT
1/4 NPT	5.0	12.0	40.0	9/16	P410-50-4MNN
3/8 NPT	5.0	12.0	40.0	11/16	P410-50-6MNN
1/2 NPT	5.0	17.0	46.0	7/8	P410-50-8MNN
1/4 BSPT	7.5	11.5	37.5	16.0	P410-75-4MRT
3/8 BSPT	7.5	12.0	38.0	17.0	P410-75-6MRT
1/2 BSPT	7.5	16.0	43.5	22.0	P410-75-8MRT
1/4 NPT	7.5	12.0	38.0	5/8	P410-75-4MNN
3/8 NPT	7.5	12.0	38.0	11/16	P410-75-6MNN
1/2 NPT	7.5	17.0	44.5	7/8	P410-75-8MNN

Plug Hose Barb Metric and Fractional Hose



Hose OD/ID	Flow Passage	DIMENSIONS IN MILLIMETERS/INCHES			SEALEXCEL PART NO.
		T	B	D	
6/4 mm	2.5	22.0	12.0	38.5	P410-25-6/4HOSE
8/5 mm	2.5	22.0	12.0	38.5	P410-25-8/5HOSE
8/6 mm	2.5	22.0	12.0	38.5	P410-25-8/6HOSE
5/16-3/16	2.5	22.0	12.0	38.5	P410-25-312/3HOSE
3/8-1/4	2.5	22.0	12.0	38.5	P410-25-375/4HOSE
8/5 mm	5.0	25.0	14.0	50.0	P410-50-8/5HOSE
8/6 mm	5.0	25.0	14.0	50.0	P410-50-8/6HOSE
10/7 mm	5.0	25.0	14.0	50.0	P410-50-10/7HOSE
10/8 mm	5.0	25.0	14.0	50.0	P410-50-10/8HOSE
12/9 mm	5.0	25.0	14.0	50.0	P410-50-12/9HOSE
12/10 mm	5.0	25.0	14.0	50.0	P410-50-12/10HOSE
14/11 mm	5.0	27.0	16.0	52.0	P410-50-14/11HOSE
16/13 mm	5.0	27.0	18.0	52.0	P410-50-16/13HOSE
5/16-3/16	5.0	25.0	14.27	50.0	P410-50-312/3HOSE
3/8-1/4	5.0	25.0	14.27	50.0	P410-50-375/4HOSE
1/2-3/8	5.0	25.0	14.27	50.0	P410-50-500/6HOSE
10/7 mm	7.5	25.0	16.0	48.5	P410-75-10/7HOSE
10/8 mm	7.5	25.0	16.0	48.5	P410-75-10/8HOSE
12/9 mm	7.5	25.0	16.0	48.5	P410-75-12/9HOSE
12/10 mm	7.5	25.0	16.0	48.5	P410-75-12/10HOSE
14/11 mm	7.5	27.0	16.0	50.5	P410-75-14/11HOSE
16/13 mm	7.5	27.0	18.0	50.5	P410-75-16/13HOSE
3/8-1/4	7.5	25.0	16.0	48.5	P410-75-375/4HOSE
1/2-3/8	7.5	25.0	16.0	48.5	P410-75-500/6HOSE



FEATURES

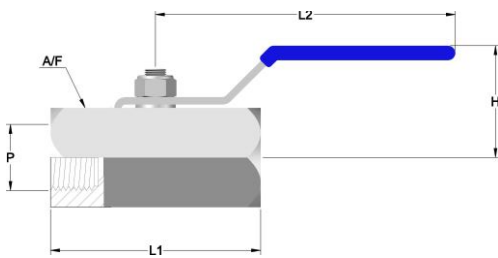
- Available in Material SS316
- Material Traceable to certified material test report
- One piece Hexagon body design, Bi-directional Flow
- PTFE Ball Seat, Bubble tight shut-off
- Anti blow-out stem, Low torque operation
- Floating ball design provides seat wear compensation
- Quarter turn positive stop handle
- Available Size : 1/4" to 1" Male/Female NPT, BSPP, BSPT Pipe Connections
- Every valve is factory tested

OPERATING PARAMETERS

Pressure Rating : Upto 1000 psig (69 bar) at CWP with PTFE packing seat
 Temperature Rating : -45°C to 232°C with PTFE packing and seat

BALL VALVE SERIES : BV011

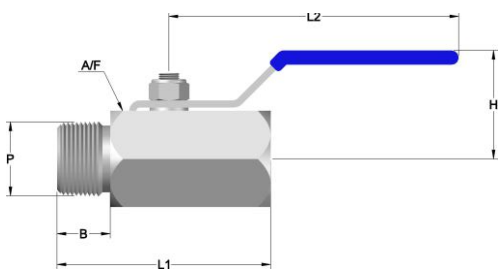
Female to Female Pipe Thread



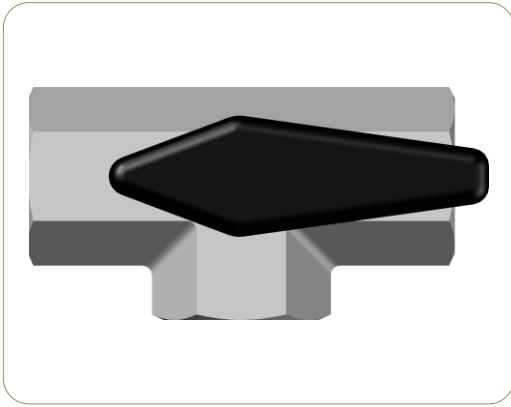
PIPE THREAD-P		DIMENSIONS IN MILLIMETERS/INCHES					SEALEXCEL PART NO.
FEMALE INTET	FEMALE OUTLET	ORIFICE	H	L1	L2	A/F	
1/4 BSP	1/4 BSP	5.0	30.0	45.5	62.5	19.0	BV011-FF4RG
3/8 BSP	3/8 BSP	7.5	38.0	49.0	84.0	22.2	BV011-FF6RG
1/2 BSP	1/2 BSP	9.0	42.0	57.2	84.0	27.0	BV011-FF8RG
3/4 BSP	3/4 BSP	12.5	51.0	64.5	104.0	33.3	BV011-FF12RG
1" BSP	1" BSP	15.5	54.0	80.5	104.0	41.3	BV011-FF16RG
1/4 BSPT	1/4 BSPT	5.0	30.0	49.0	62.5	19.0	BV011-FF4RT
3/8 BSPT	3/8 BSPT	7.5	38.0	52.0	84.0	22.2	BV011-FF6RT
1/2 BSPT	1/2 BSPT	9.0	42.0	63.0	84.0	27.0	BV011-FF8RT
3/4 BSPT	3/4 BSPT	12.5	51.0	68.5	104.0	33.3	BV011-FF12RT
1" BSPT	1" BSPT	15.5	54.0	87.5	104.0	41.3	BV011-FF16RT
1/4 NPT	1/4 NPT	5.0	30.0	49.0	62.5	3/4	BV011-FF4N
3/8 NPT	3/8 NPT	7.5	38.0	52.0	84.0	7/8	BV011-FF6N
1/2 NPT	1/2 NPT	9.0	42.0	63.0	84.0	1-1/16	BV011-FF8N
3/4 NPT	3/4 NPT	12.5	51.0	68.5	104.0	1-5/16	BV011-FF12N
1" NPT	1" NPT	15.5	54.0	87.5	104.0	1-5/8	BV011-FF16N

BALL VALVE SERIES : BV011

Male to Female Pipe Thread



PIPE THREAD-P		DIMENSIONS IN MILLIMETERS/INCHES						SEALEXCEL PART NO.
MALE INTET	FEMALE OUTLET	ORIFICE	B	H	L1	L2	A/F	
1/4 BSPT	1/4 BSPT	5.0	14.3	30.0	45.5	62.5	19.0	BV011-MF4RT
3/8 BSPT	3/8 BSPT	7.5	14.3	38.0	49.0	84.0	22.2	BV011-MF6RT
1/2 BSPT	1/2 BSPT	9.0	19.0	42.0	57.2	84.0	27.0	BV011-MF8RT
3/4 BSPT	3/4 BSPT	12.5	19.0	51.0	64.5	104.0	33.3	BV011-MF12RT
1" BSPT	1" BSPT	15.5	24.0	54.0	80.5	104.0	41.3	BV011-MF16RT
1/4 NPT	1/4 NPT	5.0	14.3	30.0	45.5	62.5	3/4	BV011-MF4N
3/8 NPT	3/8 NPT	7.5	14.3	38.0	49.0	84.0	7/8	BV011-MF6N
1/2 NPT	1/2 NPT	9.0	19.0	42.0	57.2	84.0	1-1/16	BV011-MF8N
3/4 NPT	3/4 NPT	12.5	19.0	51.0	64.5	104.0	1-5/16	BV011-MF12N
1" NPT	1" NPT	15.5	24.0	54.0	80.5	104.0	1-5/8	BV011-MF16N



FEATURES

- Three way compact Floating Ball design.
- Spring loaded PTFE Seat ensure bubble light sealing and compensate for wear.
- Low torque operation.
- Positive handle stop.
- Available in SS316 material.
- Every valve is factory tested.

ORDERING PART NO. : 3BV013-8-6RG/ETV

OPERATING PARAMETERS

Pressure Rating : Upto 1000 psig (69 bar) at CWP with PTFE packing seat

Temperature Rating : Up to 180°C with PTFE packing, seat and Viton® O-Ring.

MATERIAL OF CONSTRUCTION.

Body, Ball and Valve components : SS316

Valve Seat : PTFE

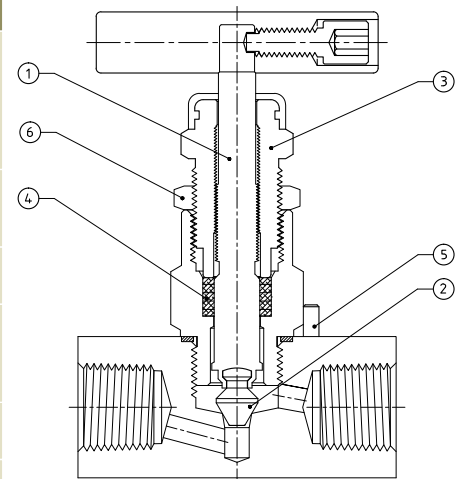
'O' Ring : Viton®

FEATURES

- Available in SS316, all wetted parts in accordance with NACE MR01-75
- Heat Code Traceable to certified material test report
- Low operating torques
- Bar stock Body in Straight Patterns
- Anti Blow-out stem, Variety of stem tips
- PTFE packing standard
- Flow coefficient (Cv) From 0.35 to 1.8
- Orifice size : 0.156" (4.0 mm), 0.250" (6.4mm), 0.375" (9.5mm)
- Variety of end configuration includes SEALEXCEL[®] Well-Lok[®] Tube Fittings, Male / Female NPT, BSPT, BSPP pipe and tube socket weld connections
- Every valve is factory tested.



Description	Features and Benefits
1. Anti Blow-out Stem	i) Rolled and plated stem threads for excellent Stem performance & extended service life. II) Non Rotating self centering stem tip for superior & repeatable perfect sealing. III) Burnished stem at packing area to ensure low torque operation of the valve & reduction in packing wear.
2. Stem Tip	Burnished to achieve high grade surface finish and work hardness for excellence performance and extended service life
3. Packing Bolt	Allows packing adjustment in open or close position.
4. Packing	Packing below the threads protects the flow stream from lubricant contamination on the threads or wash out and also protect the stem threads from potential damaging effects of the media.
5. Locking Pin	To prevent accidental loosening / disassembly of valve.
6. Bonnet Lock Nut	For safety to prevent accidental loosening of packing bolt



OPERATING PARAMETERS

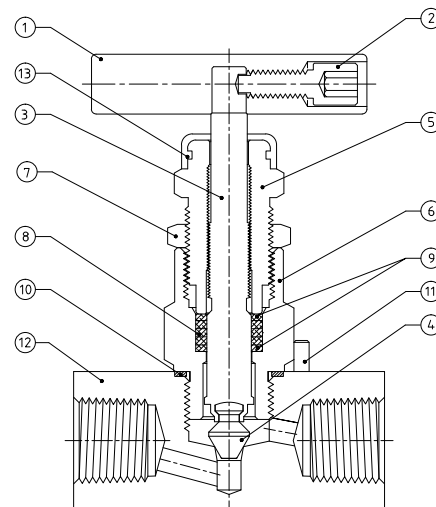
Pressure Rating : upto 6000 psig (408 bar) at CWP
 Temperature Rating : -54°C to 232°C with standard PTFE packing
 upto 426°C with optional Graphite packing

APPLICATIONS

- General Plant Service
- Instrument Isolation
- Hydraulic and Pneumatic
- Pressure measurement devices
- Venting

MATERIAL OF CONSTRUCTIONS

Sr. No.	Part Description	Material
1.	Bar Handle	SS316
2.	Screw	SS316
3.	Stem	SS316
4.	Stem Tip	SS316
5.	Packing Bolt	SS316
6.	Bonnet	SS316
7.	Bonnet Lock Nut	SS316
8.	Packing	PTFE
9.	Packing Support	GFT
10.	Washer	SS316
11.	Bonnet Safety Pin	SS316
12.	Valve Body	SS316
13.	Dust Cap	PVC



STEM TYPE :

SEALEXCEL[®] Needle Valves are available with choice of optional stem to provide greater flexibility.

NON-ROTATING (NR) : It is Standard self centering non rotating stem tip typically used in high cycle application to extend the valve life.

V-STEM (VS) : It is used for general purpose liquid and gases.

SOFT SEAT (SS) : A soft seat stem requires a lower sealing torque, It is replaceable and suitable for temperature upto 120°C

REGULATING STEM (RS) : It is used where some degree of flow control required.

TECHNICAL DATA : The Temperature and Pressure rating for a standard valve with PTFE packing

Temperature	Pressure	
	psig	bar
-54°C to 38°C	6000	408
-54°C to 93°C	5160	351
-54°C to 148°C	4660	317
-54°C to 204°C	4280	291
-54°C to 232°C	4130	289

TESTING

- Standard Test : Each valve is factory tested with nitrogen at 1000 psig (69 bar) for leakage at the seat and packing.
- Optional Hydrostatic test : This test is performed with de-ionised water at 1.5 time the working pressure.

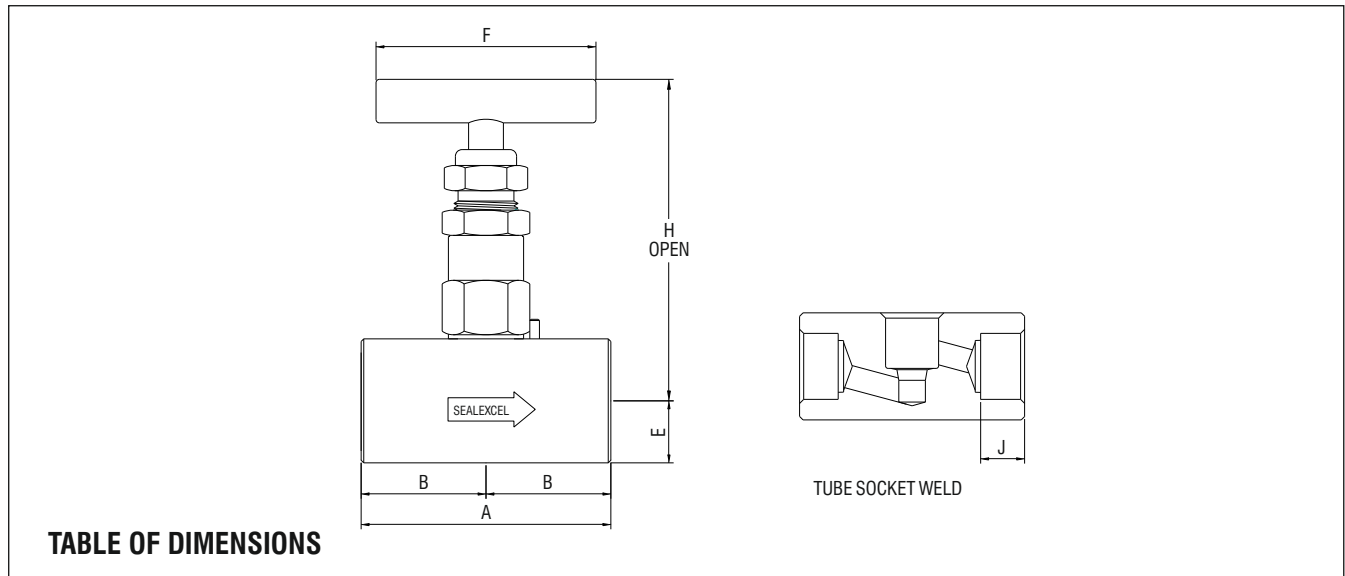


TABLE OF DIMENSIONS

End Connections		Orifice	Cv	Dimensions (mm)						Ordering Number
Inlet	Outlet			A	B	E	F	H Straight	J	
1/4" Well-Lok	1/4" Well-Lok	4.0	0.35	62.0	31.0	12.7	52.5	73.0	-	BS03-TT4
3/8" Well-Lok	3/8" Well-Lok	6.4	0.86	73.0	36.5	14.3	63.5	88.0	-	BS03-TT6
1/2" Well-Lok	1/2" Well-Lok	6.4	0.86	77.8	38.9	14.3	63.5	88.0	-	BS03-TT8
3/4" Well-Lok	3/4" Well-Lok	11.0	2.2	100.0	50.0	15.9	69.9	114.0	-	BS03-TT12
6mm Well-Lok	6mm Well-Lok	4.0	0.35	62.0	31.0	12.7	52.5	73.0	-	BS03-TT6M
8mm Well-Lok	8mm Well-Lok	4.0	0.35	62.0	31.0	12.7	52.5	73.0	-	BS03-TT8M
10mm Well-Lok	10mm Well-Lok	6.4	0.86	73.0	36.5	14.3	63.5	88.0	-	BS03-TT10M
12mm Well-Lok	12mm Well-Lok	6.4	0.86	77.8	38.9	14.3	63.5	88.0	-	BS03-TT12M
1/8" Female NPT	1/8" Female NPT	4.0	0.35	50.8	25.4	12.7	47.6	73.0	-	BS03-FF2N
1/4" Female NPT	1/4" Female NPT	4.0	0.35	57.2	28.6	12.7	52.5	73.0	-	BS03-FF4N
3/8" Female NPT	3/8" Female NPT	6.4	0.86	60.4	30.2	14.3	63.5	88.0	-	BS03-FF6N
1/2" Female NPT	1/2" Female NPT	11.0	2.2	79.4	39.7	15.9	69.9	113.0	-	BS03-FF8N
3/4" Female NPT	3/4" Female NPT	11.0	2.2	79.4	39.7	17.5	69.9	115.0	-	BS03-FF12N
1" Female NPT	1" Female NPT	11.0	2.2	92.0	46.0	22.5	69.9	122.0	-	BS03-FF16N
1/4" Male NPT	1/4" Male NPT	4.0	0.35	57.2	28.6	12.7	52.5	73.0	-	BS03-MM4N
1/4" Male NPT	1/4" Female NPT	4.0	0.35	57.2	28.6	12.7	52.5	73.0	-	BS03-MF4N
1/2" Male NPT	1/2" Female NPT	11.0	2.2	79.4	39.7	15.9	69.9	113.0	-	BS03-MF8N
3/4" Male NPT	3/4" Female NPT	11.0	2.2	79.4	39.7	17.5	69.9	115.0	-	BS03-MF12N
1" Male NPT	1" Female NPT	11.0	2.2	92.0	46.0	22.5	69.9	122.0	-	BS03-MF16N
1/4" TSW	1/4" TSW	4.0	0.35	46.0	23.0	12.7	52.5	73.0	7.2	BS03-TSW4
3/8" TSW	3/8" TSW	6.4	0.86	57.2	28.6	14.3	63.5	88.0	8.0	BS03-TSW6
1/2" TSW	1/2" TSW	6.4	0.86	57.2	28.6	14.3	63.5	88.0	9.6	BS03-TSW8
3/4" TSW	3/4" TSW	11.0	2.2	79.4	39.7	15.9	69.9	113.0	11.1	BS03-TSW12

Dimensions shown with SEALEXCEL® Well-Lok™ Nut are finger tight

Dimensions are for reference only and subject to change without notice



*SEALEXCEL's commitment to upgrading
it's product range by way of continuous
research and development programme with advanced
technology and cutting edge solutions to ensure
best quality products at competitive price
and also best delivery schedule for it's customer*

A TOTAL CUSTOMER SATISFACTIONS



SEALEXCEL[®] (INDIA) PVT. LTD.

Registered Office : 56 & 61, Veena Dalvai Industrial Estate,
S. V. Road, Oshiwara, Jogeshwari (West), Mumbai - 400 102. India.
Phone :+91-22-26786885, 26788534, 66944124
Fax : +91-22-26781426, 66944126
E-mail : sales@sealexcel.com, Website : <http://www.sealexcel.com>

Manufacturing Plant : At Post - Mahi, Pirojpura - Mahi Road,
Via Chhapi, Taluka-vadgam, Dist-Banaskantha,
North-Gujarat, Pin-385210. India