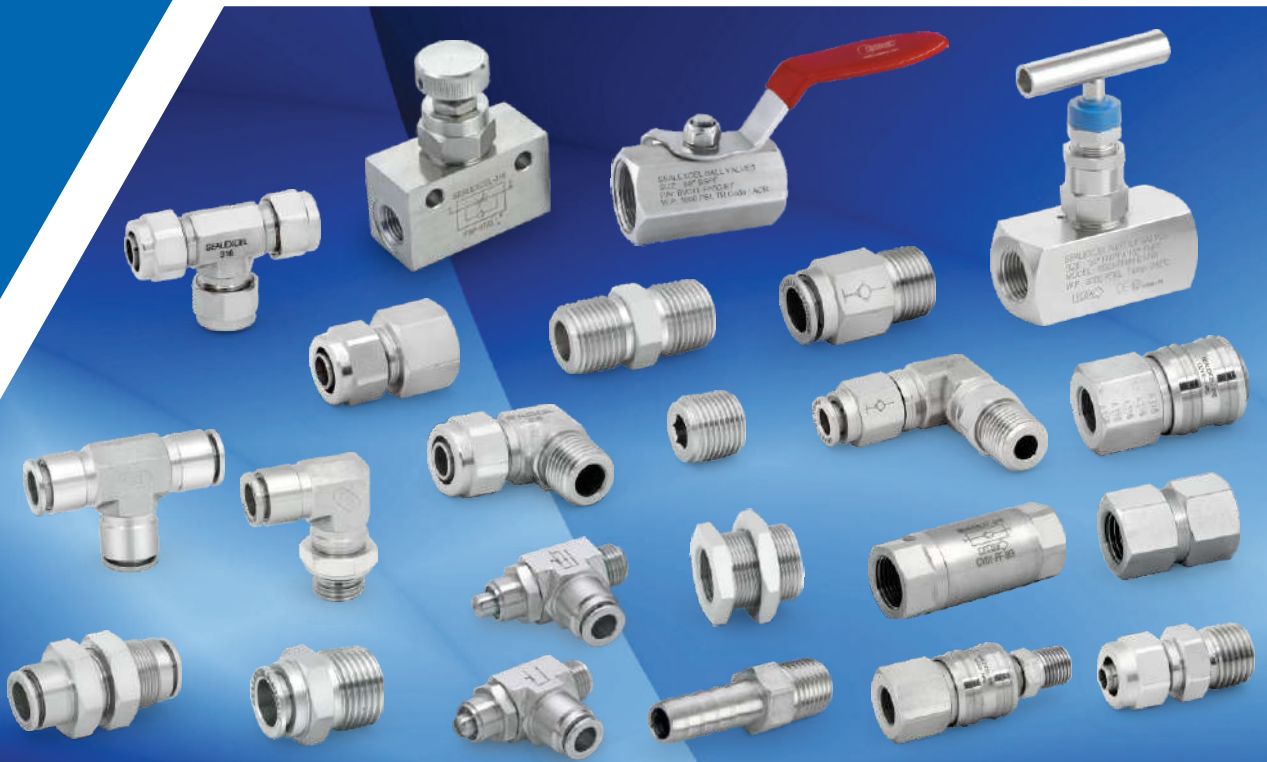




Cost Effective & High Quality
Stainless Steel
Fittings & Valves for
Pneumatic Applications



INNOVATION
TEAMWORK
CREATIVE



COMPONENT

*...Make the leak free connections with
Sealexcel products at economical price...*

The secret of our success is our engineering expertise, product accuracy, consistency, timely delivery and prompt communications

Unit-II, Gujarat (Plant-1)



Unit-II, Gujarat (Plant-2)



ABOUT US

SEALEXCEL® (INDIA) PVT. LTD. A fast growing manufacturing company having over 4 decades of experience and expertise in manufacturing and supplying high quality Fittings and Valves suitable for Instrumentation, Hydraulic and Pneumatic applications, used in industries like Automobile, Chemical, Petrochemical, oil & Gas, nuclear, Power Plant, Pharmaceutical, Marine, Packaging, Printing Industries etc.

We have three fully well equipped modern inhouse manufacturing facilities in India with highly motivated team of employees and up to date technology assisting us to achieve reliable products at competitive price with better product flexibility, consistency and optimum service.

DESIGN, RESEARCH AND DEVELOPMENTS

With our long experience and expertise, we carefully study the applications and criticality of each and every component of all our products specially for surface finish, run out, sharp edges, critical dimensions etc. With due care, we design our products using the latest Cad and Cam System with continuous Research and Development Programme to withstand the need of high performance world class consistent quality products and tested to rigid testing procedures including helium leak detection and Hydrostatistics Burst Pressure test to check and verify the maximum safety and reliability of our products in deep vacuum and high pressure applications.



Our manufacturing expertise, capability and commitment for quality allows us to meet the most stringent demands of our customers



MANUFACTURING

We manufacture each and every component of our products in our own manufacturing facilities using various CNC Lathes, VMC Lathes, Auto screw machines etc. to very close tolerances by closely monitoring critical dimensions, surface finishes, run out, sharp edges etc. after referring and meeting the requirements as per drawing, under rigid quality controlled procedures approved to ISO 9001, ISO 14001, 45001, ISO 22000 and PED which ensures consistent quality and high performance products.



Manufacturing Facilities



Precision Profile Projector



Raw Material Stand

QUALITY

SEALEXCEL® has total quality management culture from the incoming high quality traceable raw material to finish products ensuring our commitment to efficient and high quality products compatible with ISO 9001, ISO 14001, 45001, ISO 22000 and PED 2014/68/EU. This is achieved by continuously improving the products, process and systems.

At every stage, we have controlled quality checks with sophisticated checking Instruments so that all our supplies reaches to our customers with zero defect.



Quality Check Department

Our Aim is to satisfy our customers with our World Class quality products combined with competitive price.



Testing Laboratory

TESTING FACILITES

We manufacture wide range of Fittings and Valves for which we have following Inhouse product performance testing facilities including Helium leak detection and Hydrostatic Burst pressure test to ensure high quality, maximum safety and reliability of our products in Deep Vacuum, high pressure, Temperature and Vibration Applications.

- Helium leak Test.
- Hydro Static Proof Pressure Test.
- Pneumatic (Nitrogen) Proof Pressure Test.
- Pressure Impulse and Vibration Test.
- Burst Pressure Test.
- Temperature Cycling Test.
- Rotary Flex Test.
- Flexure and Fatigue Test.
- Make and Remake Test.

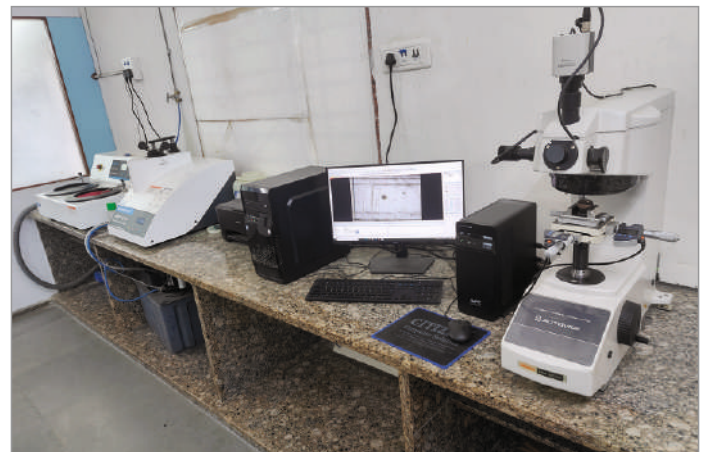
The above tests are carried out on regular basis.



Helium Leak Detector

PACKAGING

All exposed thread of the products are protected with plastic caps to prevent damage, each assembly is packed in sealed and clear polyethylene bag for cleanliness and carefully packed in cardboard boxes to prevent transit damage. Each and every package is labeled for proper and easy identification.



Computerised Micro Hardness Tester



Packing & Dispatch Department

The Total quality and innovation are our strength for future business with you.

QUALITY CERTIFICATIONS

SEALEXCEL's total quality management and culture associated with Design, Research & Development, world class production practices inclusive of rigid quality check with sophisticated checking Instruments at every stage of production and requisite inhouse product performance testing facilities ensure high quality and reliable products.

Our total quality system, control and culture has earned us various quality and type approval certifications as shown below.



ISO 9001:2015



ISO 14001:2015



ISO 45001:2018



PED 2014/68/EU



ASTM F 1387-19



NFS International



ARAI



Helium Leak Test

We manufacture wide range of high quality Fittings and Valves which are used in Instrumentation, Hydraulic and Pneumatic applications in wide range of Industries including Petrochemicals, Energy, Food, Biotechnology, CNG, Pharmaceutical, Pulp and Paper, Mining, Packaging, Automobile and Printing Industries.

- The Features of SEALEXCEL Tube Fittings and Valves meets the international technical specifications requirements.
- The Advantage is World Class consistent high quality products ensuring maximum reliability, safety and high performance.
- The Benefit is Best quality Tube Fittings and Valves at competitive price and Best Delivery schedule.

PNEUMATIC PRODUCT INDEX

Stainless Steel Push-in-fittings



Page 7 - 43

Stainless Steel Push-on-fittings



Page 45 - 72

Pipe Fittings



Page 73 - 86

Flow Control Regulators



Page 87- 90

Check Valves



Page 91 - 93

Quick Exhaust Valves & Quick Connect Couplings



Page 95 - 101

Low/Medium Pressure Bar Stock Body 2/3 Way Ball Valves



Page 102 - 103

Needle Valves



Page 104-105

Application:

SEALEXCEL Stainless Steel Push-in-Fittings are resistance to aggressive environments and corrosive fluids etc., which are generally used in Chemical, Food, Printing, Packaging, marine, Pharmaceutical Industries etc.,

SEALEXCEL Stainless Steel Push-in-Fittings are compatible with,

- Semi-rigid nylon tube
- Flexible polyurethane tube
- Low density polyethylene tube
- Fluoropolymer FEP140 tube
- Stainless Steel and copper tube (when grooved)

Design:

SEALEXCEL Stainless Steel Push-in-Fittings consist of Six precision components such as Body, Releasing Sleeve, Washer, Gripping Collet, Guide Ring and 'O' Ring.

These components have been carefully designed and manufactured to very stringent tolerances under rigid quality control procedures approved to ISO 9001 to provide a zero leak at all tubing connection in Instrumentation and process tubing.

Advantages:

- SEALEXCEL Stainless Steel Push-in-Fittings are,
- Easy for manual connection and disconnection.
 - No tools required for connection and disconnection.
 - Full Flow without pressure drop.
 - Automatic tube sealing with 'O' Ring and locking with gripping collet.

Surface treatment:

Each and every Stainless Steel components of SEALEXCEL Push-in-fittings are electropolished to ensure a corrosion resistant surface layer of chromium oxide which is passive.

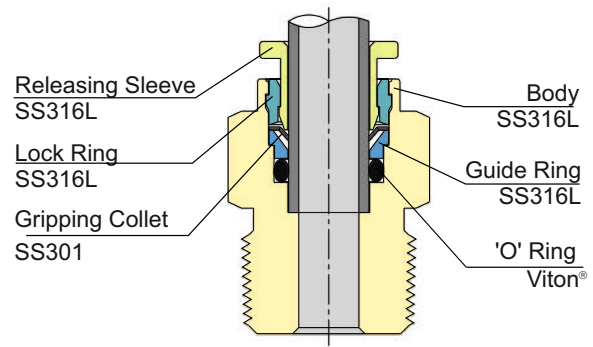
Operating parameters:

Pressure : upto 290 PSI (20 bar)
 Temperature : upto 150° C

Available sizes:

Metric size : 4mm to 16mm Tube OD
 Fractional size : 3/16" to 5/8" Tube OD.
 Recommended tolerance on tube : ±0.05 mm

Material of Construction:



'O' Ring EPDM are available on request

The Stainless Steel 316L raw material meets the following specifications.

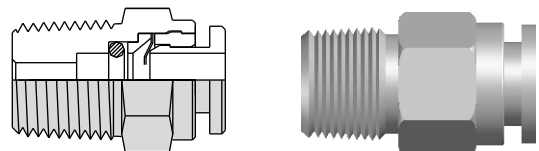
- SS-316L BAR STOCK : ASTM A-479
- SS-316L FORGING : ASTM A-182

Identifications:

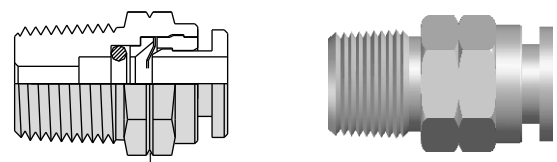
SEALEXCEL Metric and Fractional size Stainless Steel Push-in-Fittings are similar in appearances.

The significant difference is in the internal diameter of the Push-in-Fittings components, hence for easy identifications between metric and fractional sizes. SEALEXCEL provided 'V' Groove on Fractional sizes Push-in-Fittings as shown below.

SEALEXCEL Metric size stainless steel Push-In-Fittings

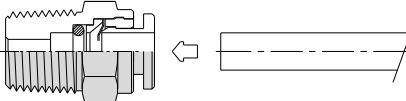
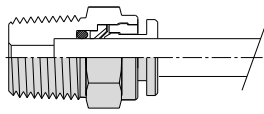
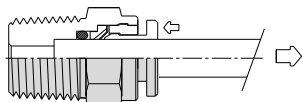


SEALEXCEL Fractional size stainless steel Push-In-Fittings



Identification mark for Fractional size of Push-in-fittings

INSTALLATION INSTRUCTIONS:

<p>1) For Tube : Semi-rigid Nylon Tube Flexible polyurethane tube Low density polyethylene tube Fluoropolymer FEP140 tube</p> <p>Ensure that the end of tube is cut square (90°) and free from burrs and sharp edges.</p> <p>FOR TUBE : Stainless steel and Copper tube</p> <p>Ensure that the end of the tube is cut square (90°) and chamfer the outer corner of tube, remove the burs and sharp edges to prevent the damages of 'O' Ring. Provide groove for tube gripping and locking.</p>	
<p>2) Insert the tube by hand into the fitting assembly resting it firmly against internal shoulder of the fittings. The Gripping collet hold the tube firmly in place, without deforming the tube or restriction flow.</p>	
<p>3) To release the Tube : Press the Releasing Sleeve and pull out the tube from fitting.</p>	

ORDERING INFORMATION:

The part Number describes complete assembly of SEALEXCEL Push-in Fittings.

Example: For Metric size : PIFTMC-6-250RT-ELV

PIFTMC	6	250	RT	EL	V
Type of Fitting	Tube OD	Pipe Thread	Type of Pipe Thread	Material	'O' RING
Taper Male Connector	6mm	1/4"	BSPT	SS 316L	VITON®

Example: For Fractional size : PIFTMC-250-250N-ELV

PIFTMC	250	250	N	EL	V
Type of Fitting	Tube OD	Pipe Thread	Type of Pipe Thread	Material	'O' RING
Taper Male Connector	1/4"	1/4"	NPT	SS 316L	VITON®

SIZE CODE DESCRIPTION:

Metric		Fractional	
Size	Code	Size	Code
4mm	4	3/16	187
6mm	6	1/4	250
8mm	8	5/16	312
10mm	10	3/8	375
12mm	12	1/2	500
14mm	14	5/8	625
16mm	16		

THREAD CODE DESCRIPTION:


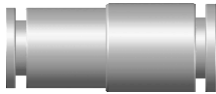
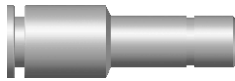
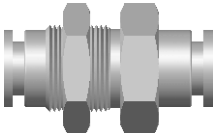
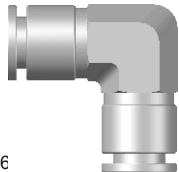
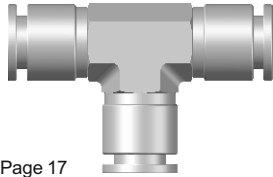
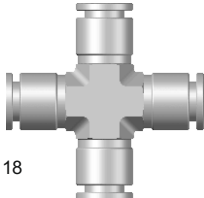
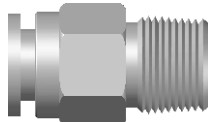
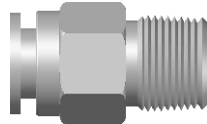
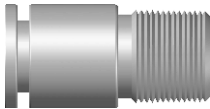
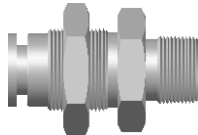
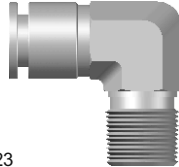
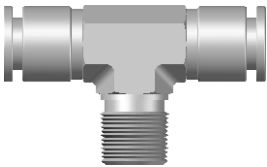
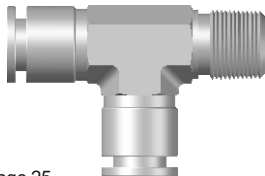
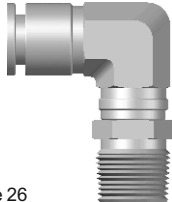
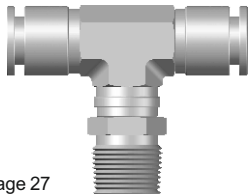
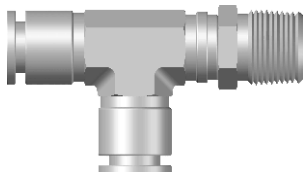
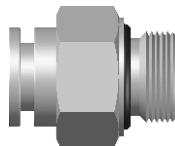
Thread Type	Code
NPT Thread	N
ISO Tapered Thread (BSPT)	RT
ISO Parallel Thread (BSP) with Elastomeric 'O' Ring	EO
Metric Thread with Elastomeric 'O' Ring	MEO
Universal Thread with 'O' Ring	UNI

MATERIAL CODE DESCRIPTION:

Description of Material	Code
SS 316L	EL
'O' Ring Viton®	V
'O' Ring EPDM	P

VITON® - is the Registered Trademark of Dupont.

INDEX

<p>PIF-Union</p> <p>Metric Tube To Tube Connection Fractional Tube To Tube Connection</p>  <p>Page 12</p>	<p>PIF-Reducing Union</p> <p>Metric Tube To Tube Connection Fractional Tube To Tube Connection</p>  <p>Page 13</p>	<p>PIF-Reducer</p> <p>Metric Tube To Tube Connection Fractional Tube To Tube Connection</p>  <p>Page 14</p>
<p>PIF-Bulkhead Union</p> <p>Metric Tube To Tube Connection Fractional Tube To Tube Connection</p>  <p>Page 15</p>	<p>PIF-Union Elbow</p> <p>Metric Tube To Tube Connection Fractional Tube To Tube Connection</p>  <p>Page 16</p>	<p>PIF-Union Tee</p> <p>Metric Tube To Tube Connection Fractional Tube To Tube Connection</p>  <p>Page 17</p>
<p>PIF-Union Cross</p> <p>Metric Tube To Tube Connection Fractional Tube To Tube Connection</p>  <p>Page 18</p>	<p>PIF-Taper Male Connector</p> <p>METRIC Tube to Male BSPT pipe thread FRACTIONAL Tube to Male NPT pipe thread</p>  <p>Page 19</p>	<p>PIF-Key Way Taper Male Connector</p> <p>METRIC Tube to Male BSPT pipe thread FRACTIONAL Tube to Male NPT pipe thread</p>  <p>Page 20</p>
<p>PIF-Key Way Compact Taper Male Connector</p> <p>METRIC Tube to Male BSPT pipe thread FRACTIONAL Tube to Male NPT pipe thread</p>  <p>Page 21</p>	<p>PIF-Taper Male Bulkhead Connector</p> <p>METRIC Tube to Male BSPT pipe thread FRACTIONAL Tube to Male NPT pipe thread</p>  <p>Page 22</p>	<p>PIF-Taper Male Elbow</p> <p>METRIC Tube to Male BSPT pipe thread FRACTIONAL Tube to Male NPT pipe thread</p>  <p>Page 23</p>
<p>PIF-Taper Male Branch Tee</p> <p>METRIC Tube to Male BSPT pipe thread FRACTIONAL Tube to Male NPT pipe thread</p>  <p>Page 24</p>	<p>PIF-Taper Male Run Tee</p> <p>METRIC Tube to Male BSPT pipe thread FRACTIONAL Tube to Male NPT pipe thread</p>  <p>Page 25</p>	<p>PIF-Taper Male Swivel Elbow</p> <p>METRIC Tube to Male BSPT pipe thread FRACTIONAL Tube to Male NPT pipe thread</p>  <p>Page 26</p>
<p>PIF-Taper Male Swivel Branch Tee</p> <p>METRIC Tube to Male BSPT pipe thread FRACTIONAL Tube to Male NPT pipe thread</p>  <p>Page 27</p>	<p>PIF-Taper Male Swivel Run Tee</p> <p>METRIC Tube to Male BSPT pipe thread FRACTIONAL Tube to Male NPT pipe thread</p>  <p>Page 28</p>	<p>PIF-Parallel Male Connector</p> <p>METRIC Tube to Male BSP/Metric pipe thread FRACTIONAL Tube to Male UNI/UN pipe thread</p>  <p>Page 29</p>

INDEX

PIF-Key Way Parallel Male Connector

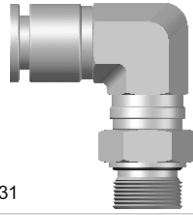
METRIC Tube to Male BSP pipe thread
FRACTIONAL Tube to Male UNI pipe thread



Page 30

PIF-Parallel Male Swivel Elbow

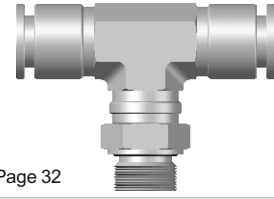
METRIC Tube to Male BSP/Metric pipe thread
FRACTIONAL Tube to Male UNI/UN pipe thread



Page 31

PIF-Parallel Male Swivel Branch Tee

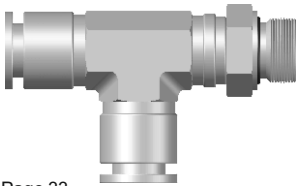
METRIC Tube to Male BSP/Metric pipe thread
FRACTIONAL Tube to Male UNI/UN pipe thread



Page 32

PIF-Parallel Male Swivel Run Tee

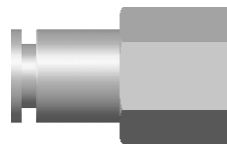
METRIC Tube to Male BSP/Metric pipe thread
FRACTIONAL Tube to Male UNI/UN pipe thread



Page 33

PIF-Taper Female Connector

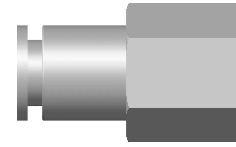
METRIC Tube to Female BSPT pipe thread
FRACTIONAL Tube to Female NPT pipe thread



Page 34

PIF-Parallel Female Connector

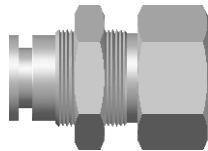
METRIC Tube to Female BSP pipe thread



Page 35

PIF-Taper Female Bulkhead Connector

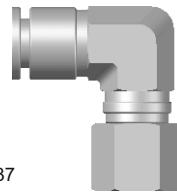
METRIC Tube to Female BSP/BSPT pipe thread
FRACTIONAL Tube to Female NPT pipe thread



Page 35-36

PIF-Taper Female Swivel Elbow

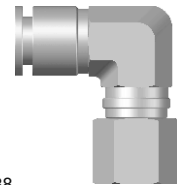
METRIC Tube to Female BSPT pipe thread
FRACTIONAL Tube to Female NPT pipe thread



Page 37

PIF-Parallel Female Swivel Elbow

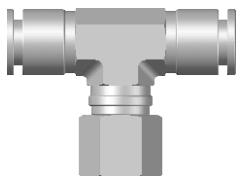
METRIC Tube to Female BSP pipe thread



Page 38

PIF-Parallel Female Swivel Branch Tee

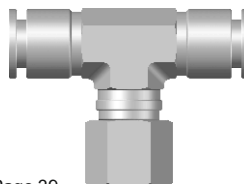
METRIC Tube to Female BSP pipe thread



Page 38

PIF-Taper Female Swivel Branch Tee

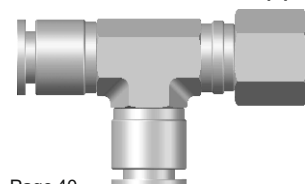
METRIC Tube to Female BSPT pipe thread
FRACTIONAL Tube to Female NPT pipe thread



Page 39

PIF-Taper Female Swivel Run Tee

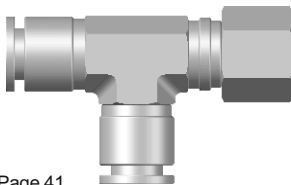
METRIC Tube to Female BSPT pipe thread
FRACTIONAL Tube to Female NPT pipe thread



Page 40

PIF-Parallel Female Swivel Run Tee

METRIC Tube to Female BSP pipe thread



Page 41

PIF-Tube Plug

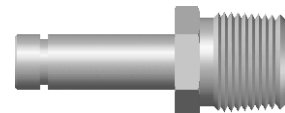
METRIC Tube Plug
FRACTIONAL Tube Plug



Page 41

PIF-Taper Male Adapter

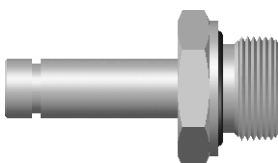
METRIC Tube to Male BSPT pipe thread
FRACTIONAL Tube to Male NPT pipe thread



Page 42

PIF-Parallel Male Adapter

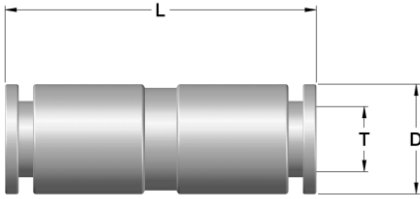
METRIC Tube to Male BSP pipe thread
FRACTIONAL Tube to Male UNI Thread



Page 43

PIF - Union (PIFU)

METRIC Tube to Tube Connection

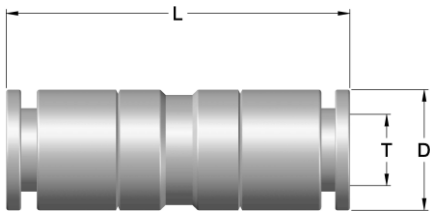


Dimensions are for reference only,
subject to change without notice.

TUBE OD	DIMENSIONS IN MILLIMETERS		SEALEXCEL PART NO.	
	T	D		L
4 mm		10.0	33.6	PIFU - 4
6 mm		12.4	34.6	PIFU - 6
8 mm		14.0	34.6	PIFU - 8
10 mm		16.5	34.6	PIFU - 10
12 mm		19.0	37.8	PIFU - 12
14 mm		21.8	47.2	PIFU - 14
16 mm		23.3	47.2	PIFU - 16

PIF - Union (PIFU)

FRACTIONAL Tube to Tube Connection

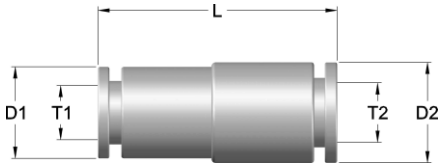


Dimensions are for reference only,
subject to change without notice.

TUBE OD	DIMENSIONS IN INCHES		SEALEXCEL PART NO.	
	T	D		L
3/16		0.42	1.33	PIFU-187
1/4		0.49	1.36	PIFU-250
5/16		0.56	1.36	PIFU-312
3/8		0.63	1.36	PIFU-375
1/2		0.78	1.49	PIFU-500
5/8		0.93	1.89	PIFU-625

Metric to Inch connection are available on request.

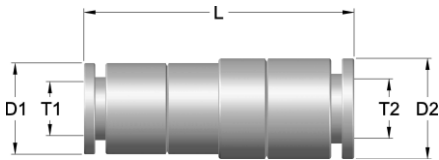
PIF — Reducing Union (PIFRU) METRIC Tube to Tube Connection



Dimensions are for reference only,
subject to change without notice.

TUBE OD		DIMENSIONS IN MILLIMETERS			SEALEXCEL PART NO.
T1	T2	D1	D2	L	
4 mm	6 mm	10.0	12.4	34.5	PIFRU - 4 - 6
6 mm	8 mm	12.4	14.0	35.0	PIFRU - 6 - 8
6 mm	10 mm	12.4	16.5	35.0	PIFRU - 6 - 10
6 mm	12 mm	12.4	19.0	36.4	PIFRU - 6 - 12
8 mm	10 mm	14.0	16.5	35.0	PIFRU - 8 - 10
8 mm	12 mm	14.0	19.0	36.4	PIFRU - 8 - 12
10 mm	12 mm	16.5	19.0	36.4	PIFRU - 10 - 12
10 mm	14 mm	16.5	21.8	42.4	PIFRU - 10 - 14
12 mm	14 mm	19.0	21.8	43.8	PIFRU - 12 - 14
12 mm	16 mm	19.0	23.3	43.4	PIFRU - 12 - 16

PIF — Reducing Union (PIFRU) FRACTIONAL Tube to Tube Connection

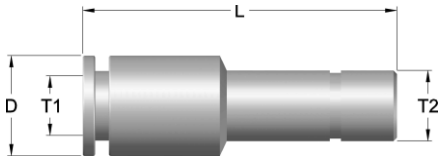


Dimensions are for reference only,
subject to change without notice.

TUBE OD		DIMENSIONS IN INCHES			SEALEXCEL PART NO.
T1	T2	D1	D2	L	
3/16	1/4	0.42	0.49	1.36	PIFRU-187-250
1/4	5/16	0.49	0.56	1.38	PIFRU-250-312
1/4	3/8	0.49	0.63	1.38	PIFRU-250-375
1/4	1/2	0.49	0.78	1.43	PIFRU-250-500
5/16	3/8	0.56	0.63	1.38	PIFRU-312-375
5/16	1/2	0.56	0.75	1.43	PIFRU-312-500
3/8	1/2	0.63	0.75	1.43	PIFRU-375-500
3/8	5/8	0.63	0.92	1.65	PIFRU-375-625
1/2	5/8	0.78	0.92	1.84	PIFRU-500-625

PIF - Reducer (PIFR)

METRIC Tube to Tube Connection

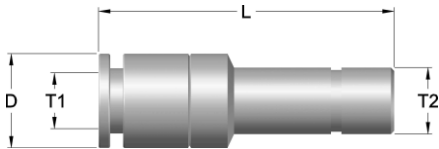


Dimensions are for reference only,
subject to change without notice.

TUBE OD		DIMENSIONS IN MILLIMETERS		SEALEXCEL PART NO.
T1	T2	D	L	
4 mm	6.0	10.0	41.3	PIFR - 4 - 6
4 mm	8.0	10.0	41.3	PIFR - 4 - 8
4 mm	10.0	10.0	42.3	PIFR - 4 - 10
6 mm	8.0	12.4	41.3	PIFR - 6 - 8
6 mm	10.0	12.4	42.3	PIFR - 6 - 10
6 mm	12.0	12.4	42.3	PIFR - 6 - 12
8 mm	10.0	14.0	42.3	PIFR - 8 - 10
8 mm	12.0	14.0	45.3	PIFR - 8 - 12
10 mm	12.0	16.5	45.8	PIFR - 10 - 12
12 mm	14.0	19.0	50.8	PIFR - 12 - 14
12 mm	16.0	19.0	50.8	PIFR - 14 - 16

PIF - Reducer (PIFR)

FRACTIONAL Tube to Tube Connection

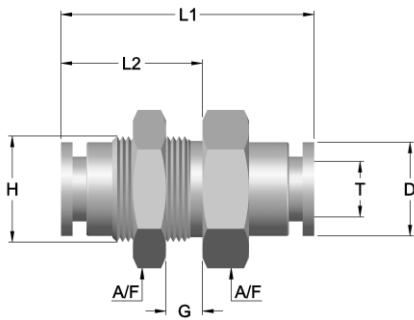


Dimensions are for reference only,
subject to change without notice.

TUBE OD		DIMENSIONS IN INCHES		SEALEXCEL PART NO.
T1	T2	D	L	
3/16	1/4	0.42	1.63	PIFR-187-250
3/16	5/16	0.42	1.63	PIFR-187-312
1/4	5/16	0.49	1.63	PIFR-250-312
1/4	3/8	0.49	1.67	PIFR-250-375
5/16	3/8	0.56	1.67	PIFR-312-375
5/16	1/2	0.56	1.78	PIFR-312-500
3/8	1/2	0.63	1.80	PIFR-375-500
3/8	5/8	0.63	1.93	PIFR-375-625
1/2	5/8	0.78	2.01	PIFR-500-625

PIF - Bulkhead Union (PIFBU)

METRIC Tube to Tube Connection

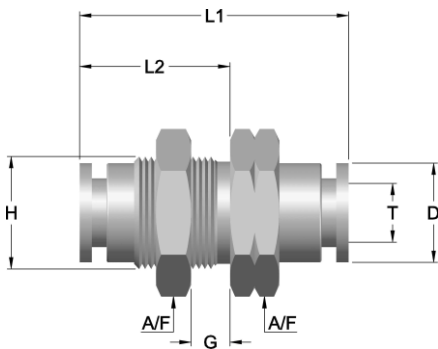


Dimensions are for reference only,
subject to change without notice.

TUBE OD	DIMENSIONS IN MILLIMETERS						SEALEXCEL PART NO.
	T	D	L1	L2	G	H	
4 mm	10.0	32.0	18.3	6.0	M12x1	16.0	PIFBU - 4
6 mm	12.4	34.0	18.8	6.0	M14x1	19.0	PIFBU - 6
8 mm	14.0	35.0	19.8	6.0	M16x1	20.6	PIFBU - 8
10 mm	16.5	41.0	24.3	8.0	M18x1	22.0	PIFBU - 10
12 mm	19.0	45.4	24.7	10.0	M22x1.5	27.0	PIFBU - 12
14 mm	21.8	55.4	30.2	10.0	M24x1.5	28.6	PIFBU - 14
16 mm	23.3	55.4	30.2	10.0	M26x1.5	30.0	PIFBU - 16

PIF - Bulkhead Union (PIFBU)

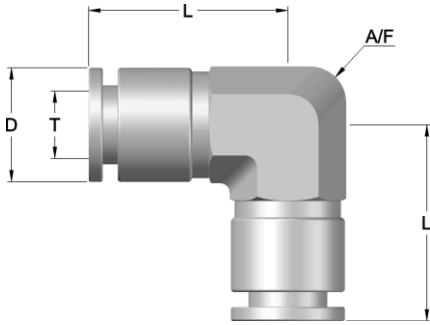
FRACTIONAL Tube to Tube Connection



Dimensions are for reference only,
subject to change without notice.

TUBE OD	DIMENSIONS IN INCHES						SEALEXCEL PART NO.
	T	D	L1	L2	G	H	
3/16	0.42	1.26	0.72	0.24	1/2 X 20UN	5/8	PIFBU-187
1/4	0.49	1.34	0.74	0.24	9/16 X 20UN	3/4	PIFBU-250
5/16	0.56	1.38	0.78	0.24	5/8 X 20UN	13/16	PIFBU-312
3/8	0.63	1.61	0.96	0.31	3/4 X 20UN	7/8	PIFBU-375
1/2	0.78	1.79	0.97	0.40	7/8 X 20UN	1-1/16	PIFBU-500
5/8	0.93	2.05	1.21	0.40	1" X 20UN	1-1/8	PIFBU-625

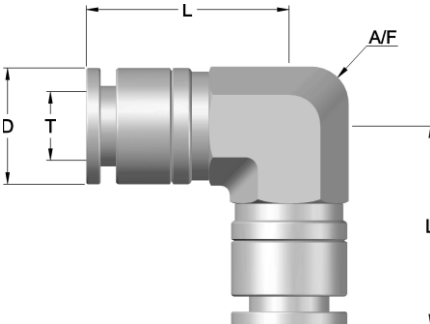
PIF — Union Elbow (PIFUE)
METRIC Tube to Tube Connection



TUBE OD	DIMENSIONS IN MILLIMETERS			SEALEXCEL PART NO.
	T	D	L	
4 mm	10.0	19.8	10.0	PIFUE - 4
6 mm	12.4	21.5	12.0	PIFUE - 6
8 mm	14.0	22.7	14.0	PIFUE - 8
10 mm	16.5	23.8	16.0	PIFUE - 10
12 mm	19.5	26.2	19.0	PIFUE - 12
14 mm	21.8	30.3	22.0	PIFUE - 14
16 mm	23.3	31.6	24.0	PIFUE - 16

Dimensions are for reference only, subject to change without notice.

PIF — Union Elbow (PIFUE)
FRACTIONAL Tube to Tube Connection

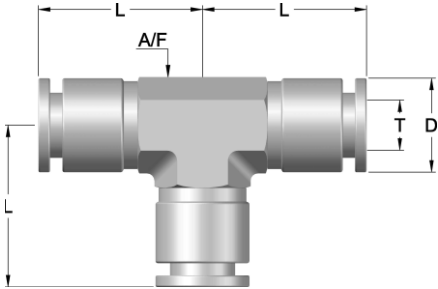


TUBE OD	DIMENSIONS IN INCHES			SEALEXCEL PART NO.
	T	D	L	
3/16	0.42	0.78	0.39 (10mm)	PIFUE-187
1/4	0.49	0.85	0.47 (12mm)	PIFUE-250
5/16	0.56	0.89	0.55 (14mm)	PIFUE-312
3/8	0.63	0.94	0.63 (16mm)	PIFUE-375
1/2	0.78	1.03	0.75 (19mm)	PIFUE-500
5/8	0.93	1.25	0.94 (24mm)	PIFUE-625

Dimensions are for reference only, subject to change without notice.

PIF - Union Tee (PIFUT)

METRIC Tube to Tube Connection

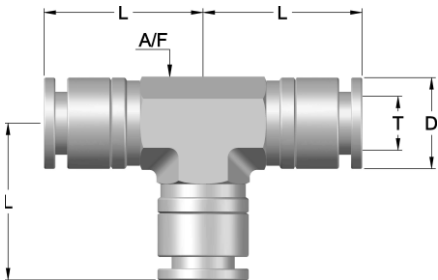


TUBE OD	DIMENSIONS IN MILLIMETERS			SEALEXCEL PART NO.
	T	D	L	
4 mm	10.0	19.8	10.0	PIFUT - 4
6 mm	12.4	21.5	12.0	PIFUT - 6
8 mm	14.0	22.7	14.0	PIFUT - 8
10 mm	16.5	23.8	16.0	PIFUT - 10
12 mm	19.0	26.2	19.0	PIFUT - 12
14 mm	21.8	30.3	22.0	PIFUT - 14
16 mm	23.3	31.6	24.0	PIFUT - 16

Dimensions are for reference only, subject to change without notice.

PIF - Union Tee (PIFUT)

FRACTIONAL Tube to Tube Connection

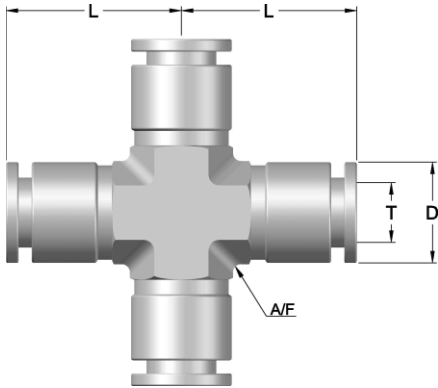


TUBE OD	DIMENSIONS IN INCHES			SEALEXCEL PART NO.
	T	D	L	
3/16	0.42	0.78	0.39 (10mm)	PIFUT-187
1/4	0.49	0.85	0.47 (12mm)	PIFUT-250
5/16	0.56	0.89	0.55 (14mm)	PIFUT-312
3/8	0.63	0.94	0.63 (16mm)	PIFUT-375
1/2	0.78	1.03	0.75 (19mm)	PIFUT-500
5/8	0.93	1.25	0.94 (24mm)	PIFUT-625

Dimensions are for reference only, subject to change without notice.

PIF - Union Cross (PIFUC)

METRIC Tube to Tube Connection

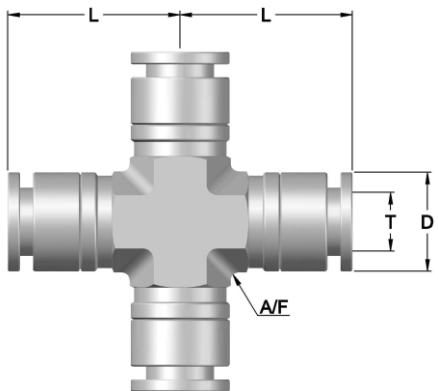


TUBE OD	DIMENSIONS IN MILLIMETERS			SEALEXCEL PART NO.
	T	D	L	
4 mm	10.0	19.8	10.0	PIFUC - 4
6 mm	12.4	21.5	12.0	PIFUC - 6
8 mm	14.0	22.7	14.0	PIFUC - 8
10 mm	16.5	23.8	16.0	PIFUC - 10
12 mm	19.0	26.2	19.0	PIFUC - 12
14 mm	21.8	30.3	22.0	PIFUC - 14
16 mm	23.3	31.6	24.0	PIFUC - 16

Dimensions are for reference only, subject to change without notice.

PIF - Union Cross (PIFUC)

FRACTIONAL Tube to Tube Connection

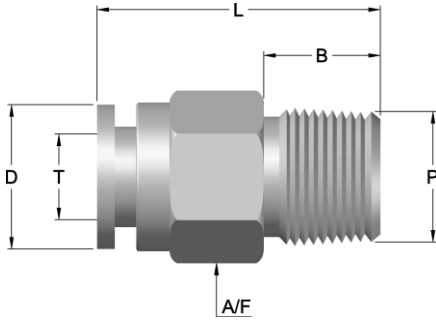


TUBE OD	DIMENSIONS IN INCHES			SEALEXCEL PART NO.
	T	D	L	
3/16	0.42	0.78	0.39 (10mm)	PIFUC-187
1/4	0.49	0.85	0.47 (12mm)	PIFUC-250
5/16	0.56	0.89	0.55 (14mm)	PIFUC-312
3/8	0.63	0.94	0.63 (16mm)	PIFUC-375
1/2	0.78	1.03	0.75 (19mm)	PIFUC-500
5/8	0.93	1.25	0.94 (24mm)	PIFUC-625

Dimensions are for reference only, subject to change without notice.

PIF - Taper Male Connector (PIFTMC)

METRIC Tube to Male BSPT pipe thread



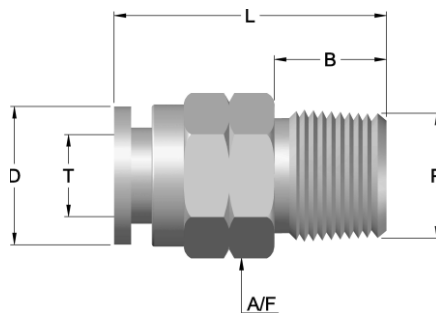
TUBE OD	PIPE THREAD	DIMENSIONS IN MILLIMETERS				SEALEXCEL PART NO.
		T	P	B	D	
4 mm	1/8 BSPT	7.5	10.0	22.1	11.0	PIFTMC - 4 - 125RT
4 mm	1/4 BSPT	11.0	10.0	22.8	14.0	PIFTMC - 4 - 250RT
6 mm	1/8 BSPT	7.5	12.4	22.8	13.0	PIFTMC - 6 - 125RT
6 mm	1/4 BSPT	11.0	12.4	22.3	14.0	PIFTMC - 6 - 250RT
6 mm	3/8 BSPT	11.5	12.4	22.8	17.0	PIFTMC - 6 - 375RT
8 mm	1/8 BSPT	7.5	14.0	25.8	14.0	PIFTMC - 8 - 125RT
8 mm	1/4 BSPT	11.0	14.0	25.8	14.0	PIFTMC - 8 - 250RT
8 mm	3/8 BSPT	11.5	14.0	23.8	17.0	PIFTMC - 8 - 375RT
8 mm	1/2 BSPT	15.0	14.0	26.3	22.0	PIFTMC - 8 - 500RT
10 mm	1/8 BSPT	11.0	16.5	25.3	17.0	PIFTMC - 10 - 125RT
10 mm	1/4 BSPT	11.0	16.5	28.8	17.0	PIFTMC - 10 - 250RT
10 mm	3/8 BSPT	11.5	16.5	26.3	17.0	PIFTMC - 10 - 375RT
10 mm	1/2 BSPT	15.0	16.5	27.3	22.0	PIFTMC - 10 - 500RT
12 mm	1/4 BSPT	11.0	19.0	30.5	19.0	PIFTMC - 12 - 250RT
12 mm	3/8 BSPT	11.5	19.0	27.7	19.0	PIFTMC - 12 - 375RT
12 mm	1/2 BSPT	15.0	19.0	27.7	22.0	PIFTMC - 12 - 500RT
14 mm	3/8 BSPT	11.5	21.8	36.2	22.0	PIFTMC - 14 - 375RT
14 mm	1/2 BSPT	15.0	21.8	35.7	22.0	PIFTMC - 14 - 500RT
16 mm	3/8 BSPT	11.5	23.3	35.7	24.0	PIFTMC - 16 - 375RT
16 mm	1/2 BSPT	15.0	23.3	36.7	24.0	PIFTMC - 16 - 500RT

Dimensions are for reference only, subject to change without notice.

Metric Tube to Male NPT pipe thread are available on request.

PIF - Taper Male Connector (PIFTMC)

FRACTIONAL Tube to Male NPT pipe thread



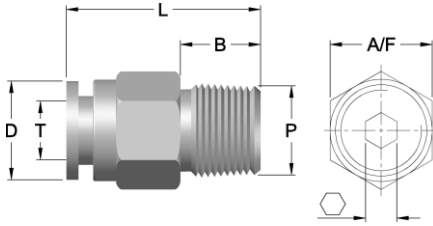
TUBE OD	PIPE THREAD	DIMENSIONS IN INCHES				SEALEXCEL PART NO.
		T	P	B	D	
3/16	1/8 NPT	0.33	0.42	0.91	7/16	PIFTMC-187-125N
3/16	1/4 NPT	0.47	0.42	0.94	9/16	PIFTMC-187-250N
1/4	1/8 NPT	0.33	0.49	0.94	1/2	PIFTMC-250-125N
1/4	1/4 NPT	0.47	0.49	1.00	9/16	PIFTMC-250-250N
1/4	3/8 NPT	0.47	0.49	0.96	11/16	PIFTMC-250-375N
5/16	1/8 NPT	0.33	0.56	1.04	9/16	PIFTMC-312-125N
5/16	1/4 NPT	0.47	0.56	1.05	9/16	PIFTMC-312-250N
5/16	3/8 NPT	0.47	0.56	1.0	11/16	PIFTMC-312-375N
5/16	1/2 NPT	0.63	0.56	1.13	7/8	PIFTMC-312-500N
3/8	1/8 NPT	0.33	0.63	1.04	11/16	PIFTMC-375-125N
3/8	1/4 NPT	0.47	0.63	1.17	11/16	PIFTMC-375-250N
3/8	3/8 NPT	0.47	0.63	1.05	11/16	PIFTMC-375-375N
3/8	1/2 NPT	0.63	0.63	1.13	7/8	PIFTMC-375-500N
1/2	1/4 NPT	0.47	0.78	1.22	13/16	PIFTMC-500-250N
1/2	3/8 NPT	0.47	0.78	1.19	13/16	PIFTMC-500-375N
1/2	1/2 NPT	0.63	0.78	1.15	7/8	PIFTMC-500-500N
5/8	3/8 NPT	0.47	0.93	1.42	15/16	PIFTMC-625-375N
5/8	1/2 NPT	0.63	0.93	1.44	15/16	PIFTMC-625-500N

Dimensions are for reference only, subject to change without notice.

Fractional Tube to Male BSPT pipe thread are available on request.

PIF - Key Way Taper Male Connector (PIFKTMC)

METRIC Tube to Male BSPT pipe thread



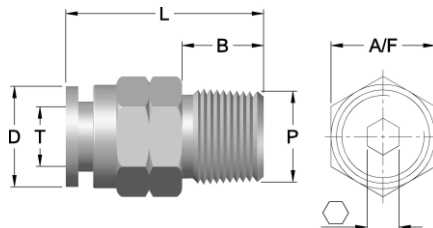
TUBE OD	PIPE THREAD	DIMENSIONS IN MILLIMETERS					SEALEXCEL PART NO.
		T	P	B	D	L	
4 mm	1/8 BSPT	7.5	10.0	22.1	3.0	11.0	PIFKTMC - 4 - 125RT
4 mm	1/4 BSPT	11.0	10.0	22.8	3.0	14.0	PIFKTMC - 4 - 250RT
6 mm	1/8 BSPT	7.5	12.4	22.8	4.0	13.0	PIFKTMC - 6 - 125RT
6 mm	1/4 BSPT	11.0	12.4	22.3	4.0	14.0	PIFKTMC - 6 - 250RT
6 mm	3/8 BSPT	11.5	12.4	22.8	4.0	17.0	PIFKTMC - 6 - 375RT
8 mm	1/8 BSPT	7.5	14.0	25.5	4.0	14.0	PIFKTMC - 8 - 125RT
8 mm	1/4 BSPT	11.0	14.0	25.8	6.0	14.0	PIFKTMC - 8 - 250RT
8 mm	3/8 BSPT	11.5	14.0	23.8	6.0	17.0	PIFKTMC - 8 - 375RT
8 mm	1/2 BSPT	15.0	14.0	26.3	6.0	22.0	PIFKTMC - 8 - 500RT
10 mm	1/8 BSPT	7.5	16.5	25.3	4.0	17.0	PIFKTMC - 10 - 125RT
10 mm	1/4 BSPT	11.0	16.5	28.8	6.0	17.0	PIFKTMC - 10 - 250RT
10 mm	3/8 BSPT	11.5	16.5	26.3	8.0	17.0	PIFKTMC - 10 - 375RT
10 mm	1/2 BSPT	15.0	16.5	27.3	8.0	22.0	PIFKTMC - 10 - 500RT
12 mm	1/4 BSPT	11.0	19.0	30.5	6.0	20.6	PIFKTMC - 12 - 250RT
12 mm	3/8 BSPT	11.5	19.0	27.7	8.0	20.6	PIFKTMC - 12 - 375RT
12 mm	1/2 BSPT	15.0	19.0	27.7	10.0	22.0	PIFKTMC - 12 - 500RT
14 mm	3/8 BSPT	11.5	21.8	36.2	10.0	22.0	PIFKTMC - 14 - 375RT
14 mm	1/2 BSPT	15.0	21.8	35.7	10.0	22.0	PIFKTMC - 14 - 500RT
16 mm	3/8 BSPT	11.5	23.3	35.7	10.0	24.0	PIFKTMC - 16 - 375RT
16 mm	1/2 BSPT	15.0	23.3	36.7	12.0	24.0	PIFKTMC - 16 - 500RT

Dimensions are for reference only, subject to change without notice.

Metric Tube to Male NPT pipe thread are available on request.

PIF - Key Way Taper Male Connector (PIFKTMC)

FRACTIONAL Tube to Male NPT pipe thread

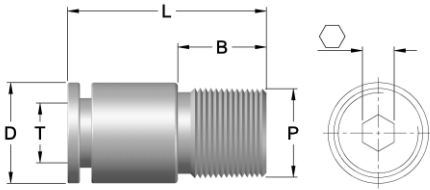


TUBE OD	PIPE THREAD	DIMENSIONS IN INCHES					SEALEXCEL PART NO.
		T	P	B	D	L	
3/16	1/8 NPT	0.33	0.42	0.91	7/16	1/8 A/F	PIFKTMC-187-125N
3/16	1/4 NPT	0.47	0.42	0.94	9/16	1/8 A/F	PIFKTMC-187-250N
1/4	1/8 NPT	0.33	0.49	0.94	1/2	5/32 A/F	PIFKTMC-250-125N
1/4	1/4 NPT	0.47	0.49	1.0	9/16	5/32 A/F	PIFKTMC-250-250N
1/4	3/8 NPT	0.47	0.49	0.96	11/16	5/32 A/F	PIFKTMC-250-375N
5/16	1/8 NPT	0.33	0.56	1.04	9/16	3/16 A/F	PIFKTMC-312-125N
5/16	1/4 NPT	0.47	0.56	1.05	9/16	7/32 A/F	PIFKTMC-312-250N
5/16	3/8 NPT	0.47	0.56	0.96	11/16	7/32 A/F	PIFKTMC-312-375N
5/16	1/2 NPT	0.63	0.56	1.13	7/8	7/32 A/F	PIFKTMC-312-500N
3/8	1/8 NPT	0.33	0.63	1.04	11/16	3/16 A/F	PIFKTMC-375-125N
3/8	1/4 NPT	0.47	0.63	1.17	11/16	1/4 A/F	PIFKTMC-375-250N
3/8	3/8 NPT	0.47	0.63	1.05	11/16	1/4 A/F	PIFKTMC-375-375N
3/8	1/2 NPT	0.63	0.63	1.13	7/8	1/4 A/F	PIFKTMC-375-500N
1/2	1/4 NPT	0.47	0.78	1.22	13/16	1/4 A/F	PIFKTMC-500-250N
1/2	3/8 NPT	0.47	0.78	1.19	13/16	5/16 A/F	PIFKTMC-500-375N
1/2	1/2 NPT	0.63	0.78	1.15	7/8	3/8 A/F	PIFKTMC-500-500N
5/8	3/8 NPT	0.47	0.93	1.42	15/16	3/8 A/F	PIFKTMC-625-375N
5/8	1/2 NPT	0.63	0.93	1.44	15/16	3/8 A/F	PIFKTMC-625-500N

Dimensions are for reference only, subject to change without notice.

Fractional Tube to Male BSPT pipe thread are available on request.

PIF - Key Way Compact Taper Male Connector (PIFKRTMC)
METRIC Tube to Male BSPT pipe thread

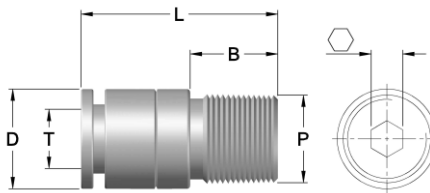


TUBE OD	PIPE THREAD	DIMENSIONS IN MILLIMETERS				SEALEXCEL PART NO.
		T	P	B	D	
4 mm	1/8 BSPT	7.5	10.0	22.3	3.0	PIFKRTMC - 4 - 125RT
4 mm	1/4 BSPT	11.0	10.0	22.8	3.0	PIFKRTMC - 4 - 250RT
6 mm	1/8 BSPT	7.5	12.4	22.5	4.0	PIFKRTMC - 6 - 125RT
6 mm	1/4 BSPT	11.0	12.4	22.5	4.0	PIFKRTMC - 6 - 250RT
6 mm	3/8 BSPT	11.5	12.4	22.8	4.0	PIFKRTMC - 6 - 375RT
8 mm	1/8 BSPT	7.5	14.0	25.3	4.0	PIFKRTMC - 8 - 125RT
8 mm	1/4 BSPT	11.0	14.0	25.8	6.0	PIFKRTMC - 8 - 250RT
8 mm	3/8 BSPT	11.5	14.0	23.8	6.0	PIFKRTMC - 8 - 375RT
8 mm	1/2 BSPT	15.0	14.0	26.3	6.0	PIFKRTMC - 8 - 500RT
10 mm	1/8 BSPT	7.5	16.5	25.3	4.0	PIFKRTMC - 10 - 125RT
10 mm	1/4 BSPT	11.0	16.5	28.8	6.0	PIFKRTMC - 10 - 250RT
10 mm	3/8 BSPT	11.5	16.5	26.3	8.0	PIFKRTMC - 10 - 375RT
10 mm	1/2 BSPT	15.0	16.5	27.3	8.0	PIFKRTMC - 10 - 500RT
12 mm	1/4 BSPT	11.0	19.0	30.5	6.0	PIFKRTMC - 12 - 250RT
12 mm	3/8 BSPT	11.5	19.0	27.2	8.0	PIFKRTMC - 12 - 375RT
12 mm	1/2 BSPT	15.0	19.0	27.7	10.0	PIFKRTMC - 12 - 500RT
14 mm	3/8 BSPT	11.5	21.8	36.0	10.0	PIFKRTMC - 14 - 375RT
14 mm	1/2 BSPT	15.0	21.8	35.5	10.0	PIFKRTMC - 14 - 500RT
16 mm	3/8 BSPT	11.5	23.3	35.2	10.0	PIFKRTMC - 16 - 375RT
16 mm	1/2 BSPT	15.0	23.3	35.2	12.0	PIFKRTMC - 16 - 500RT

Dimensions are for reference only, subject to change without notice.

Metric Tube to Male NPT pipe thread are available on request.

PIF - Key Way Compact Taper Male Connector (PIFKRTMC)
FRACTIONAL Tube to Male NPT pipe thread



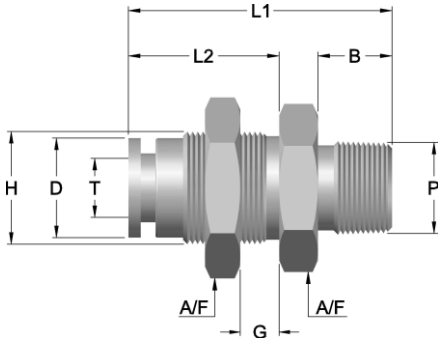
TUBE OD	PIPE THREAD	DIMENSIONS IN INCHES				SEALEXCEL PART NO.
		T	P	B	D	
3/16	1/8 NPT	0.33	0.42	0.91	1/8	PIFKRTMC-187-125N
3/16	1/4 NPT	0.47	0.42	0.94	1/8	PIFKRTMC-187-250N
1/4	1/8 NPT	0.33	0.49	0.92	5/32	PIFKRTMC-250-125N
1/4	1/4 NPT	0.47	0.49	1.0	5/32	PIFKRTMC-250-250N
1/4	3/8 NPT	0.47	0.49	0.92	5/32	PIFKRTMC-250-375N
5/16	1/8 NPT	0.33	0.56	1.04	3/16	PIFKRTMC-312-125N
5/16	1/4 NPT	0.47	0.56	1.05	7/32	PIFKRTMC-312-250N
5/16	3/8 NPT	0.47	0.56	1.01	7/32	PIFKRTMC-312-375N
5/16	1/2 NPT	0.63	0.56	1.03	7/32	PIFKRTMC-312-500N
3/8	1/8 NPT	0.33	0.63	1.04	3/16	PIFKRTMC-375-125N
3/8	1/4 NPT	0.47	0.63	1.13	1/4	PIFKRTMC-375-250N
3/8	3/8 NPT	0.47	0.63	1.05	1/4	PIFKRTMC-375-375N
3/8	1/2 NPT	0.63	0.63	1.15	1/4	PIFKRTMC-375-500N
1/2	1/4 NPT	0.47	0.78	1.24	1/4	PIFKRTMC-500-250N
1/2	3/8 NPT	0.47	0.78	1.21	5/16	PIFKRTMC-500-375N
1/2	1/2 NPT	0.63	0.78	1.18	3/8	PIFKRTMC-500-500N
5/8	3/8 NPT	0.47	0.93	1.41	3/8	PIFKRTMC-625-375N
5/8	1/2 NPT	0.63	0.93	1.52	3/8	PIFKRTMC-625-500N

Dimensions are for reference only, subject to change without notice.

Fractional Tube to Male BSPT pipe thread are available on request.

PIF - Taper Male Bulkhead Connector (PIFTMBC)

METRIC Tube to Male BSPT pipe thread



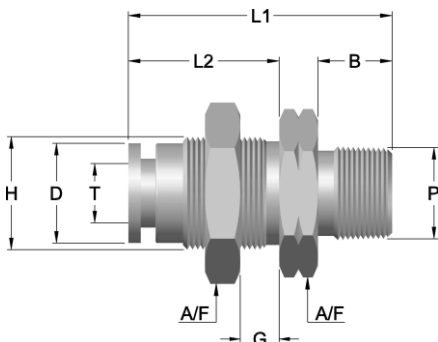
TUBE OD	PIPE THREAD	DIMENSIONS IN MILLIMETERS							SEALEXCEL PART NO.
		T	P	B	D	L1	L2	G	
4 mm	1/8 BSPT	7.5	10.0	31.1	18.3	6.0	M12x1	16.0	PIFTMBC - 4 - 125RT
4 mm	1/4 BSPT	11.0	10.0	34.8	18.3	6.0	M12x1	16.0	PIFTMBC - 4 - 250RT
6 mm	1/8 BSPT	7.5	12.4	31.8	18.8	6.0	M14x1	19.0	PIFTMBC - 6 - 125RT
6 mm	1/4 BSPT	11.0	12.4	35.3	18.8	6.0	M14x1	19.0	PIFTMBC - 6 - 250RT
6 mm	3/8 BSPT	11.5	12.4	35.8	18.8	6.0	M14x1	19.0	PIFTMBC - 6 - 375RT
8 mm	1/8 BSPT	7.5	14.0	32.8	19.8	6.0	M16x1	20.6	PIFTMBC - 8 - 125RT
8 mm	1/4 BSPT	11.0	14.0	33.7	19.8	6.0	M16x1	20.6	PIFTMBC - 8 - 250RT
8 mm	3/8 BSPT	11.5	14.0	37.1	19.8	6.0	M16x1	20.6	PIFTMBC - 8 - 375RT
8 mm	1/2 BSPT	15.0	14.0	40.5	19.8	6.0	M16x1	20.6	PIFTMBC - 8 - 500RT
10 mm	1/8 BSPT	7.5	16.5	37.5	24.5	8.0	M18x1	22.0	PIFTMBC - 10 - 125RT
10 mm	1/4 BSPT	11.0	16.5	41.0	24.3	8.0	M18x1	22.0	PIFTMBC - 10 - 250RT
10 mm	3/8 BSPT	11.5	16.5	41.5	24.3	8.0	M18x1	22.0	PIFTMBC - 10 - 375RT
10 mm	1/2 BSPT	15.0	16.5	45.3	24.3	8.0	M18x1	22.0	PIFTMBC - 10 - 500RT
12 mm	1/4 BSPT	11.0	19.0	41.5	24.7	10.0	M22x1.5	27.0	PIFTMBC - 12 - 250RT
12 mm	3/8 BSPT	11.5	19.0	42.0	24.7	10.0	M22x1.5	27.0	PIFTMBC - 12 - 375RT
12 mm	1/2 BSPT	15.0	19.0	45.7	24.7	10.0	M22x1.5	27.0	PIFTMBC - 12 - 500RT
14 mm	3/8 BSPT	11.5	21.8	48.3	30.7	10.0	M24x1.5	28.6	PIFTMBC - 14 - 375RT
14 mm	1/2 BSPT	15.0	21.8	51.9	30.7	10.0	M24x1.5	28.6	PIFTMBC - 14 - 500RT
16 mm	3/8 BSPT	11.5	23.3	48.3	30.7	10.0	M26x1.5	30.0	PIFTMBC - 16 - 375RT
16 mm	1/2 BSPT	15.0	23.3	51.9	30.7	10.0	M26x1.5	30.0	PIFTMBC - 16 - 500RT

Dimensions are for reference only, subject to change without notice.

Metric Tube to Male NPT pipe thread are available on request.

PIF - Taper Male Bulkhead Connector (PIFTMBC)

FRACTIONAL Tube to Male NPT pipe thread



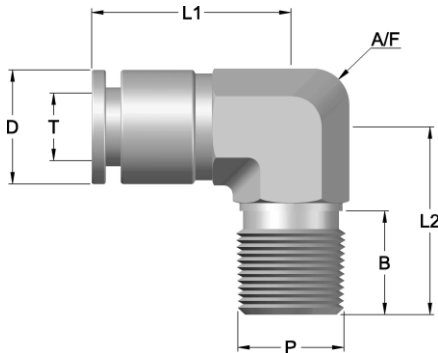
TUBE OD	PIPE THREAD	DIMENSIONS IN INCHES							SEALEXCEL PART NO.
		T	P	B	D	L1	L2	G	
3/16	1/8 NPT	0.33	0.42	1.26	0.72	0.24	1/2 X 20UN	5/8	PIFTMBC-187-125N
3/16	1/4 NPT	0.47	0.42	1.41	0.72	0.24	1/2 X 20UN	5/8	PIFTMBC-187-250N
1/4	1/8 NPT	0.33	0.49	1.28	0.74	0.24	9/16 X 20UN	3/4	PIFTMBC-250-125N
1/4	1/4 NPT	0.47	0.49	1.43	0.74	0.24	9/16 X 20UN	3/4	PIFTMBC-250-250N
1/4	3/8 NPT	0.47	0.49	1.43	0.74	0.24	9/16 X 20UN	3/4	PIFTMBC-250-375N
5/16	1/8 NPT	0.33	0.56	1.33	0.78	0.24	5/8 X 20UN	13/16	PIFTMBC-312-125N
5/16	1/4 NPT	0.47	0.56	1.37	0.78	0.24	5/8 X 20UN	13/16	PIFTMBC-312-250N
5/16	3/8 NPT	0.47	0.56	1.48	0.78	0.24	5/8 X 20UN	13/16	PIFTMBC-312-375N
5/16	1/2 NPT	0.63	0.56	1.63	0.78	0.24	5/8 X 20UN	7/8	PIFTMBC-312-500N
3/8	1/8 NPT	0.33	0.63	1.52	0.96	0.31	3/4 X 20UN	15/16	PIFTMBC-375-125N
3/8	1/4 NPT	0.47	0.63	1.65	0.96	0.31	3/4 X 20UN	15/16	PIFTMBC-375-250N
3/8	3/8 NPT	0.47	0.63	1.65	0.96	0.31	3/4 X 20UN	15/16	PIFTMBC-375-375N
3/8	1/2 NPT	0.63	0.63	1.82	0.96	0.31	3/4 X 20UN	15/16	PIFTMBC-375-500N
1/2	1/4 NPT	0.47	0.78	1.67	0.97	0.40	7/8 X 20UN	1-1/16	PIFTMBC-500-250N
1/2	3/8 NPT	0.47	0.78	1.67	0.97	0.40	7/8 X 20UN	1-1/16	PIFTMBC-500-375N
1/2	1/2 NPT	0.63	0.78	1.84	0.97	0.40	7/8 X 20UN	1-1/16	PIFTMBC-500-500N
5/8	3/8 NPT	0.47	0.93	1.91	1.2	0.40	1" X 20UN	1-1/8	PIFTMBC-625-375N
5/8	1/2 NPT	0.63	0.93	2.07	1.2	0.40	1" X 20UN	1-1/8	PIFTMBC-625-500N

Dimensions are for reference only, subject to change without notice.

Fractional Tube to Male BSPT pipe thread are available on request.

PIF - Taper Male Elbow (PIFTME)

METRIC Tube to Male BSPT pipe thread



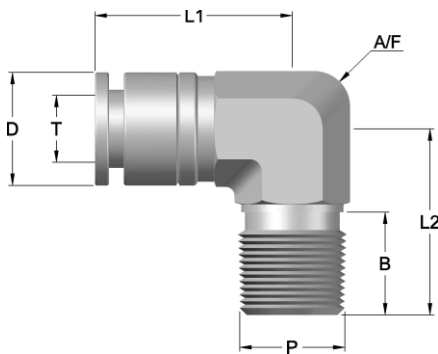
TUBE OD	PIPE THREAD	DIMENSIONS IN MILLIMETERS					SEALEXCEL PART NO.
		T	P	B	D	L1	
4 mm	1/8 BSPT	7.5	10.0	19.8	16.0	10.0	PIFTME - 4 - 125RT
4 mm	1/4 BSPT	11.0	10.0	22.1	21.7	14.0	PIFTME - 4 - 250RT
6 mm	1/8 BSPT	7.5	12.4	21.5	17.2	12.0	PIFTME - 6 - 125RT
6 mm	1/4 BSPT	11.0	12.4	22.7	22.0	14.0	PIFTME - 6 - 250RT
6 mm	3/8 BSPT	11.5	12.4	23.8	23.6	16.0	PIFTME - 6 - 375RT
8 mm	1/8 BSPT	7.5	14.0	22.7	18.2	14.0	PIFTME - 8 - 125RT
8 mm	1/4 BSPT	11.0	14.0	22.7	21.7	14.0	PIFTME - 8 - 250RT
8 mm	3/8 BSPT	11.5	14.0	23.8	23.3	16.0	PIFTME - 8 - 375RT
8 mm	1/2 BSPT	15.0	14.0	26.5	29.5	20.6	PIFTME - 8 - 500RT
10 mm	1/8 BSPT	7.5	16.5	23.8	19.2	16.0	PIFTME - 10 - 125RT
10 mm	1/4 BSPT	11.0	16.5	23.8	23.0	16.0	PIFTME - 10 - 250RT
10 mm	3/8 BSPT	11.5	16.5	23.8	23.5	16.0	PIFTME - 10 - 375RT
10 mm	1/2 BSPT	15.0	16.5	26.2	29.5	20.6	PIFTME - 10 - 500RT
12 mm	1/4 BSPT	11.0	19.0	26.2	24.5	19.0	PIFTME - 12 - 250RT
12 mm	3/8 BSPT	11.5	19.0	26.2	25.0	19.0	PIFTME - 12 - 375RT
12 mm	1/2 BSPT	15.0	19.0	26.2	29.5	20.6	PIFTME - 12 - 500RT
14 mm	3/8 BSPT	11.5	21.8	29.6	26.0	20.6	PIFTME - 14 - 375RT
14 mm	1/2 BSPT	15.0	21.8	29.6	29.5	20.6	PIFTME - 14 - 500RT
16 mm	3/8 BSPT	11.5	23.6	31.8	28.0	24.0	PIFTME - 16 - 375RT
16 mm	1/2 BSPT	15.0	23.6	31.8	31.5	24.0	PIFTME - 16 - 500RT

Dimensions are for reference only, subject to change without notice.

Metric Tube to Male NPT pipe thread are available on request.

PIF - Taper Male Elbow (PIFTME)

FRACTIONAL Tube to Male NPT pipe thread



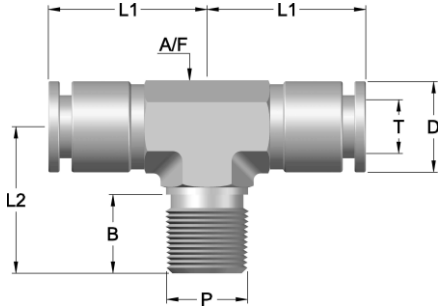
TUBE OD	PIPE THREAD	DIMENSIONS IN INCHES					SEALEXCEL PART NO.
		T	P	B	D	L1	
3/16	1/8 NPT	0.33	0.42	0.78	0.67	0.39 (10mm)	PIFTME-187-125N
3/16	1/4 NPT	0.47	0.42	0.87	0.89	0.55 (14mm)	PIFTME-187-250N
1/4	1/8 NPT	0.33	0.49	0.85	0.72	0.47 (12mm)	PIFTME-250-125N
1/4	1/4 NPT	0.47	0.49	0.89	0.89	0.55 (14mm)	PIFTME-250-250N
1/4	3/8 NPT	0.47	0.49	0.94	0.93	0.63 (16mm)	PIFTME-250-375N
5/16	1/8 NPT	0.33	0.56	0.89	0.75	0.55 (14mm)	PIFTME-312-125N
5/16	1/4 NPT	0.47	0.56	0.89	0.89	0.55 (14mm)	PIFTME-312-250N
5/16	3/8 NPT	0.47	0.56	0.94	0.93	0.63 (16mm)	PIFTME-312-375N
5/16	1/2 NPT	0.63	0.56	1.03	1.20	0.81 (20.6mm)	PIFTME-312-500N
3/8	1/8 NPT	0.33	0.63	0.94	0.76	0.63 (16mm)	PIFTME-375-125N
3/8	1/4 NPT	0.47	0.63	0.94	0.93	0.63 (16mm)	PIFTME-375-250N
3/8	3/8 NPT	0.47	0.63	0.94	0.93	0.63 (16mm)	PIFTME-375-375N
3/8	1/2 NPT	0.63	0.63	1.03	1.20	0.81 (20.6mm)	PIFTME-375-500N
1/2	1/4 NPT	0.47	0.78	1.03	1.00	0.75 (19mm)	PIFTME-500-250N
1/2	3/8 NPT	0.47	0.78	1.03	1.00	0.75 (19mm)	PIFTME-500-375N
1/2	1/2 NPT	0.63	0.78	1.07	1.20	0.81 (20.6mm)	PIFTME-500-500N
5/8	3/8 NPT	0.47	0.93	1.25	1.12	0.94 (24mm)	PIFTME-625-375N
5/8	1/2 NPT	0.63	0.93	1.25	1.26	0.94 (24mm)	PIFTME-625-500N

Dimensions are for reference only, subject to change without notice.

Fractional Tube to Male BSPT pipe thread are available on request.

PIF - Taper Male Branch Tee (PIFTMBT)

METRIC Tube to Male BSPT pipe thread



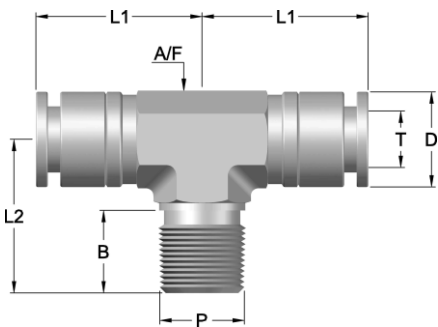
TUBE OD	PIPE THREAD	DIMENSIONS IN MILLIMETERS					SEALEXCEL PART NO.
		T	P	B	D	L1	
4 mm	1/8 BSPT	7.5	10.0	19.8	16.0	10.00	PIFTMBT - 4 - 125RT
4 mm	1/4 BSPT	11.0	10.0	22.1	21.7	14.00	PIFTMBT - 4 - 250RT
6 mm	1/8 BSPT	7.5	12.4	21.5	17.2	12.00	PIFTMBT - 6 - 125RT
6 mm	1/4 BSPT	11.0	12.4	22.7	22.0	14.00	PIFTMBT - 6 - 250RT
6 mm	3/8 BSPT	11.5	12.4	23.8	23.6	16.00	PIFTMBT - 6 - 375RT
8 mm	1/8 BSPT	7.5	14.0	22.7	18.5	14.00	PIFTMBT - 8 - 125RT
8 mm	1/4 BSPT	11.0	14.0	22.7	21.7	14.00	PIFTMBT - 8 - 250RT
8 mm	3/8 BSPT	11.5	14.0	23.8	23.3	16.00	PIFTMBT - 8 - 375RT
8 mm	1/2 BSPT	15.0	14.0	26.5	29.5	20.60	PIFTMBT - 8 - 500RT
10 mm	1/8 BSPT	7.5	16.5	23.8	19.2	16.00	PIFTMBT - 10 - 125RT
10 mm	1/4 BSPT	11.0	16.5	23.8	23.0	16.00	PIFTMBT - 10 - 250RT
10 mm	3/8 BSPT	11.5	16.5	23.8	23.5	16.00	PIFTMBT - 10 - 375RT
10 mm	1/2 BSPT	15.0	16.5	26.2	29.5	20.60	PIFTMBT - 10 - 500RT
12 mm	1/4 BSPT	11.0	19.0	26.2	24.5	19.00	PIFTMBT - 12 - 250RT
12 mm	3/8 BSPT	11.5	19.0	26.2	25.0	19.00	PIFTMBT - 12 - 375RT
12 mm	1/2 BSPT	15.0	19.0	27.2	29.5	20.60	PIFTMBT - 12 - 500RT
14 mm	3/8 BSPT	11.5	21.8	29.6	26.0	20.60	PIFTMBT - 14 - 375RT
14 mm	1/2 BSPT	15.0	21.8	29.6	29.5	20.60	PIFTMBT - 14 - 500RT
16 mm	3/8 BSPT	11.5	23.6	31.8	28.0	24.00	PIFTMBT - 16 - 375RT
16 mm	1/2 BSPT	15.0	23.6	31.8	31.5	24.00	PIFTMBT - 16 - 500RT

Dimensions are for reference only, subject to change without notice.

Metric Tube to Male NPT pipe thread are available on request.

PIF - Taper Male Branch Tee (PIFTMBT)

FRACTIONAL Tube to Male NPT pipe thread



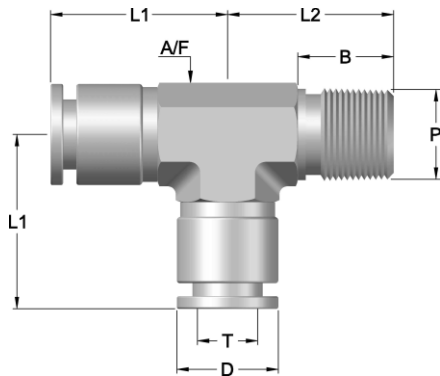
TUBE OD	PIPE THREAD	DIMENSIONS IN INCHES					SEALEXCEL PART NO.
		T	P	B	D	L1	
3/16	1/8 NPT	0.33	0.42	0.78	0.67	0.39 (10mm)	PIFTMBT-187-125N
3/16	1/4 NPT	0.47	0.42	0.87	0.89	0.55 (14mm)	PIFTMBT-187-250N
1/4	1/8 NPT	0.33	0.49	0.85	0.72	0.47 (12mm)	PIFTMBT-250-125N
1/4	1/4 NPT	0.47	0.49	0.89	0.89	0.55 (14mm)	PIFTMBT-250-250N
1/4	3/8 NPT	0.47	0.49	0.94	0.93	0.63 (16mm)	PIFTMBT-250-375N
5/16	1/8 NPT	0.33	0.56	0.89	0.75	0.55 (14mm)	PIFTMBT-312-125N
5/16	1/4 NPT	0.47	0.56	0.89	0.89	0.55 (14mm)	PIFTMBT-312-250N
5/16	3/8 NPT	0.47	0.56	0.94	0.93	0.63 (16mm)	PIFTMBT-312-375N
5/16	1/2 NPT	0.63	0.56	1.03	1.20	0.81 (20.6mm)	PIFTMBT-312-500N
3/8	1/8 NPT	0.33	0.63	0.94	0.76	0.63 (16mm)	PIFTMBT-375-125N
3/8	1/4 NPT	0.47	0.63	0.94	0.93	0.63 (16mm)	PIFTMBT-375-250N
3/8	3/8 NPT	0.47	0.63	0.94	0.93	0.63 (16mm)	PIFTMBT-375-375N
3/8	1/2 NPT	0.63	0.63	1.03	1.20	0.81 (20.6mm)	PIFTMBT-375-500N
1/2	1/4 NPT	0.47	0.78	1.03	1.00	0.75 (19mm)	PIFTMBT-500-250N
1/2	3/8 NPT	0.47	0.78	1.03	1.00	0.75 (19mm)	PIFTMBT-500-375N
1/2	1/2 NPT	0.63	0.78	1.07	1.20	0.81 (20.6mm)	PIFTMBT-500-500N
5/8	3/8 NPT	0.47	0.93	1.25	1.12	0.94 (24mm)	PIFTMBT-625-375N
5/8	1/2 NPT	0.63	0.93	1.25	1.26	0.94 (24mm)	PIFTMBT-625-500N

Dimensions are for reference only, subject to change without notice.

Fractional Tube to Male BSPT pipe thread are available on request.

PIF - Taper Male Run Tee (PIFTMRT)

METRIC Tube to Male BSPT pipe thread



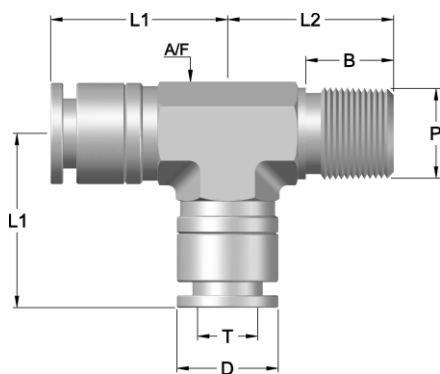
TUBE OD	PIPE THREAD	DIMENSIONS IN MILLIMETERS					SEALEXCEL PART NO.
		T	P	B	D	L1	
4 mm	1/8 BSPT	7.5	10.0	19.8	16.0	10.00	PIFTMRT - 4 - 125RT
4 mm	1/4 BSPT	11.0	10.0	22.1	21.7	14.00	PIFTMRT - 4 - 250RT
6 mm	1/8 BSPT	7.5	12.4	21.5	17.2	12.00	PIFTMRT - 6 - 125RT
6 mm	1/4 BSPT	11.0	12.4	22.7	22.0	14.00	PIFTMRT - 6 - 250RT
6 mm	3/8 BSPT	11.5	12.4	23.8	23.6	16.00	PIFTMRT - 6 - 375RT
8 mm	1/8 BSPT	7.5	14.0	22.7	18.5	14.00	PIFTMRT - 8 - 125RT
8 mm	1/4 BSPT	11.0	14.0	22.7	21.7	14.00	PIFTMRT - 8 - 250RT
8 mm	3/8 BSPT	11.5	14.0	23.8	23.3	16.00	PIFTMRT - 8 - 375RT
8 mm	1/2 BSPT	15.0	14.0	26.5	29.5	20.60	PIFTMRT - 8 - 500RT
10 mm	1/8 BSPT	7.5	16.5	23.8	19.2	10.00	PIFTMRT - 10 - 125RT
10 mm	1/4 BSPT	11.0	16.5	23.8	23.0	16.00	PIFTMRT - 10 - 250RT
10 mm	3/8 BSPT	11.5	16.5	23.8	23.5	16.00	PIFTMRT - 10 - 375RT
10 mm	1/2 BSPT	15.0	16.5	26.2	29.5	20.60	PIFTMRT - 10 - 500RT
12 mm	1/4 BSPT	11.0	19.0	26.2	24.5	19.00	PIFTMRT - 12 - 250RT
12 mm	3/8 BSPT	11.5	19.0	26.2	25.0	19.00	PIFTMRT - 12 - 375RT
12 mm	1/2 BSPT	15.0	19.0	27.2	29.5	20.60	PIFTMRT - 12 - 500RT
14 mm	3/8 BSPT	11.5	21.8	29.6	26.0	20.60	PIFTMRT - 14 - 375RT
14 mm	1/2 BSPT	15.0	21.8	29.6	29.5	20.60	PIFTMRT - 14 - 500RT
16 mm	3/8 BSPT	11.5	23.6	31.8	28.0	24.00	PIFTMRT - 16 - 375RT
16 mm	1/2 BSPT	15.0	23.6	31.8	31.5	24.00	PIFTMRT - 16 - 500RT

Dimensions are for reference only, subject to change without notice.

Metric Tube to Male NPT pipe thread are available on request.

PIF - Taper Male Run Tee (PIFTMRT)

FRACTIONAL Tube to Male NPT pipe thread



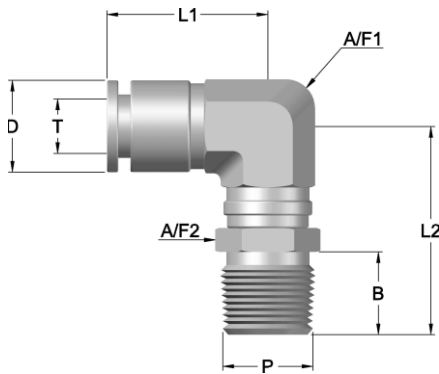
TUBE OD	PIPE THREAD	DIMENSIONS IN INCHES					SEALEXCEL PART NO.
		T	P	B	D	L1	
3/16	1/8 NPT	0.33	0.42	0.78	0.67	0.39 (10mm)	PIFTMRT-187-125N
3/16	1/4 NPT	0.47	0.42	0.87	0.89	0.55 (14mm)	PIFTMRT-187-250N
1/4	1/8 NPT	0.33	0.49	0.85	0.72	0.47 (12mm)	PIFTMRT-250-125N
1/4	1/4 NPT	0.47	0.49	0.89	0.89	0.55 (14mm)	PIFTMRT-250-250N
1/4	3/8 NPT	0.47	0.49	0.94	0.93	0.63 (16mm)	PIFTMRT-250-375N
5/16	1/8 NPT	0.33	0.56	0.89	0.75	0.55 (14mm)	PIFTMRT-312-125N
5/16	1/4 NPT	0.47	0.56	0.89	0.89	0.55 (14mm)	PIFTMRT-312-250N
5/16	3/8 NPT	0.47	0.56	0.94	0.93	0.63 (16mm)	PIFTMRT-312-375N
5/16	1/2 NPT	0.63	0.56	1.03	1.20	0.81 (20.6mm)	PIFTMRT-312-500N
3/8	1/8 NPT	0.33	0.63	0.94	0.76	0.63 (16mm)	PIFTMRT-375-125N
3/8	1/4 NPT	0.47	0.63	0.94	0.93	0.63 (16mm)	PIFTMRT-375-250N
3/8	3/8 NPT	0.47	0.63	0.94	0.93	0.63 (16mm)	PIFTMRT-375-375N
3/8	1/2 NPT	0.63	0.63	1.03	1.20	0.81 (19mm)	PIFTMRT-375-500N
1/2	1/4 NPT	0.47	0.78	1.03	1.00	0.75 (19mm)	PIFTMRT-500-250N
1/2	3/8 NPT	0.47	0.78	1.03	1.00	0.75 (19mm)	PIFTMRT-500-375N
1/2	1/2 NPT	0.63	0.78	1.07	1.20	0.81 (19mm)	PIFTMRT-500-500N
5/8	3/8 NPT	0.47	0.93	1.25	1.12	0.94 (24mm)	PIFTMRT-625-375N
5/8	1/2 NPT	0.63	0.93	1.25	1.26	0.94 (24mm)	PIFTMRT-625-500N

Dimensions are for reference only, subject to change without notice.

Fractional Tube to Male BSPT pipe thread are available on request.

PIF - Taper Male Swivel Elbow (PIFTMSE)

METRIC Tube to Male BSPT pipe thread



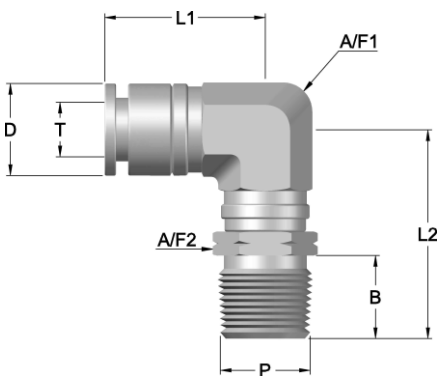
TUBE OD	PIPE THREAD	DIMENSIONS IN MILLIMETERS						SEALEXCEL PART NO.
		T	P	B	D	L1	L2	
4 mm	1/8 BSPT	7.5	10.0	19.8	25.6	10.0	11.0	PIFTMSE - 4 - 125RT
4 mm	1/4 BSPT	11.0	10.0	19.8	29.3	10.0	14.0	PIFTMSE - 4 - 250RT
6 mm	1/8 BSPT	7.5	12.4	21.5	26.8	12.0	13.0	PIFTMSE - 6 - 125RT
6 mm	1/4 BSPT	11.0	12.4	21.5	30.5	12.0	14.0	PIFTMSE - 6 - 250RT
6 mm	3/8 BSPT	11.5	12.4	21.5	31.3	12.0	17.0	PIFTMSE - 6 - 375RT
8 mm	1/8 BSPT	7.5	14.0	22.7	27.8	14.0	14.0	PIFTMSE - 8 - 125RT
8 mm	1/4 BSPT	11.0	14.0	22.7	31.5	14.0	14.0	PIFTMSE - 8 - 250RT
8 mm	3/8 BSPT	11.5	14.0	22.7	32.3	14.0	17.0	PIFTMSE - 8 - 375RT
8 mm	1/2 BSPT	15.0	14.0	22.7	36.3	14.0	22.0	PIFTMSE - 8 - 500RT
10 mm	1/8 BSPT	7.5	16.5	23.8	29.2	16.0	16.0	PIFTMSE - 10 - 125RT
10 mm	1/4 BSPT	11.0	16.5	23.8	33.0	16.0	16.0	PIFTMSE - 10 - 250RT
10 mm	3/8 BSPT	11.5	16.5	23.8	33.7	16.0	17.0	PIFTMSE - 10 - 375RT
10 mm	1/2 BSPT	15.0	16.5	23.8	37.5	16.0	22.0	PIFTMSE - 10 - 500RT
12 mm	1/4 BSPT	11.0	19.0	26.2	35.0	19.0	19.0	PIFTMSE - 12 - 250RT
12 mm	3/8 BSPT	11.5	19.0	26.2	35.6	19.0	19.0	PIFTMSE - 12 - 375RT
12 mm	1/2 BSPT	15.0	19.0	26.2	39.4	19.0	22.0	PIFTMSE - 12 - 500RT
14 mm	3/8 BSPT	11.5	21.8	30.3	38.5	22.0	22.0	PIFTMSE - 14 - 375RT
14 mm	1/2 BSPT	15.0	21.8	30.3	42.2	22.0	22.0	PIFTMSE - 14 - 500RT
16 mm	3/8 BSPT	11.5	23.3	31.8	40.0	24.0	24.0	PIFTMSE - 16 - 375RT
16 mm	1/2 BSPT	15.0	23.3	31.8	43.5	24.0	24.0	PIFTMSE - 16 - 500RT

Dimensions are for reference only, subject to change without notice.

Metric Tube to Male NPT pipe thread are available on request.

PIF - Taper Male Swivel Elbow (PIFTMSE)

FRACTIONAL Tube to Male NPT pipe thread



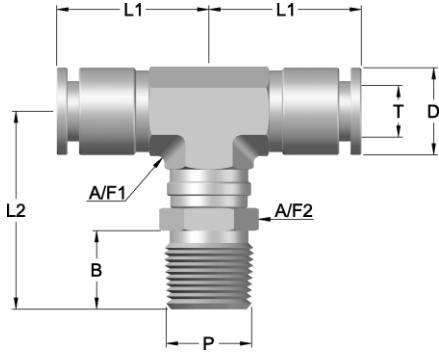
TUBE OD	PIPE THREAD	DIMENSIONS IN INCHES						SEALEXCEL PART NO.
		T	P	B	D	L1	L2	
3/16	1/8 NPT	0.33	0.42	0.78	1.05	0.39 (10mm)	7/16	PIFTMSE-187-125N
3/16	1/4 NPT	0.47	0.42	0.78	1.19	0.39 (10mm)	9/16	PIFTMSE-187-250N
1/4	1/8 NPT	0.33	0.49	0.85	1.09	0.47 (12mm)	1/2	PIFTMSE-250-125N
1/4	1/4 NPT	0.47	0.49	0.85	1.24	0.47 (12mm)	9/16	PIFTMSE-250-250N
1/4	3/8 NPT	0.47	0.49	0.85	1.25	0.47 (12mm)	11/16	PIFTMSE-250-375N
5/16	1/8 NPT	0.33	0.56	0.89	1.13	0.55 (14mm)	9/16	PIFTMSE-312-125N
5/16	1/4 NPT	0.47	0.56	0.89	1.28	0.55 (14mm)	9/16	PIFTMSE-312-250N
5/16	3/8 NPT	0.47	0.56	0.89	1.29	0.55 (14mm)	11/16	PIFTMSE-312-375N
5/16	1/2 NPT	0.63	0.56	0.89	1.47	0.55 (14mm)	7/8	PIFTMSE-312-500N
3/8	1/8 NPT	0.33	0.63	0.94	1.22	0.63 (16mm)	11/16	PIFTMSE-375-125N
3/8	1/4 NPT	0.47	0.63	0.94	1.34	0.63 (16mm)	5/8	PIFTMSE-375-250N
3/8	3/8 NPT	0.47	0.63	0.94	1.35	0.63 (16mm)	11/16	PIFTMSE-375-375N
3/8	1/2 NPT	0.63	0.63	0.94	1.52	0.63 (16mm)	7/8	PIFTMSE-375-500N
1/2	1/4 NPT	0.47	0.78	1.03	1.42	0.75 (19mm)	13/16	PIFTMSE-500-250N
1/2	3/8 NPT	0.47	0.78	1.03	1.42	0.75 (19mm)	13/16	PIFTMSE-500-375N
1/2	1/2 NPT	0.63	0.78	1.03	1.59	0.75 (19mm)	7/8	PIFTMSE-500-500N
5/8	3/8 NPT	0.47	0.93	1.25	1.59	0.94 (24mm)	15/16	PIFTMSE-625-375N
5/8	1/2 NPT	0.63	0.93	1.25	1.75	0.94 (24mm)	15/16	PIFTMSE-625-500N

Dimensions are for reference only, subject to change without notice.

Fractional Tube to Male BSPT pipe thread are available on request.

PIF - Taper Male Swivel Branch Tee (PIFTMSBT)

METRIC Tube to Male BSPT pipe thread



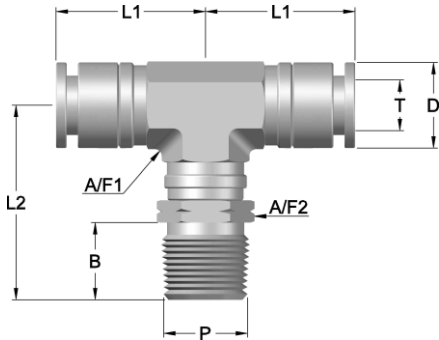
TUBE OD	PIPE THREAD	DIMENSIONS IN MILLIMETERS						SEALEXCEL PART NO.
		T	P	B	D	L1	L2	
4 mm	1/8 BSPT	7.5	10.0	19.8	25.6	10.0	11.0	PIFTMSBT - 4 - 125RT
4 mm	1/4 BSPT	11.0	10.0	19.8	29.3	10.0	14.0	PIFTMSBT - 4 - 250RT
6 mm	1/8 BSPT	7.5	12.4	21.5	26.8	12.0	13.0	PIFTMSBT - 6 - 125RT
6 mm	1/4 BSPT	11.0	12.4	21.5	30.5	12.0	14.0	PIFTMSBT - 6 - 250RT
6 mm	3/8 BSPT	11.5	12.4	21.5	31.3	12.0	17.0	PIFTMSBT - 6 - 375RT
8 mm	1/8 BSPT	7.5	14.0	22.7	27.8	14.0	14.0	PIFTMSBT - 8 - 125RT
8 mm	1/4 BSPT	11.0	14.0	22.7	31.5	14.0	14.0	PIFTMSBT - 8 - 250RT
8 mm	3/8 BSPT	11.5	14.0	22.7	32.3	14.0	17.0	PIFTMSBT - 8 - 375RT
8 mm	1/2 BSPT	15.0	14.0	22.7	36.3	14.0	22.0	PIFTMSBT - 8 - 500RT
10 mm	1/8 BSPT	7.5	16.5	23.8	29.2	16.0	16.0	PIFTMSBT - 10 - 125RT
10 mm	1/4 BSPT	11.0	16.5	23.8	33.0	16.0	16.0	PIFTMSBT - 10 - 250RT
10 mm	3/8 BSPT	11.5	16.5	23.8	33.7	16.0	17.0	PIFTMSBT - 10 - 375RT
10 mm	1/2 BSPT	15.0	16.5	23.8	37.5	16.0	22.0	PIFTMSBT - 10 - 500RT
12 mm	1/4 BSPT	11.0	19.0	26.2	35.0	19.0	19.0	PIFTMSBT - 12 - 250RT
12 mm	3/8 BSPT	11.5	19.0	26.2	35.6	19.0	19.0	PIFTMSBT - 12 - 375RT
12 mm	1/2 BSPT	15.0	19.0	26.2	39.4	19.0	22.0	PIFTMSBT - 12 - 500RT
14 mm	3/8 BSPT	11.5	21.8	30.3	38.5	22.0	22.0	PIFTMSBT - 14 - 375RT
14 mm	1/2 BSPT	15.0	21.8	30.3	42.2	22.0	22.0	PIFTMSBT - 14 - 500RT
16 mm	3/8 BSPT	11.5	23.3	31.8	40.0	24.0	24.0	PIFTMSBT - 16 - 375RT
16 mm	1/2 BSPT	15.0	23.3	31.8	43.5	24.0	24.0	PIFTMSBT - 16 - 500RT

Dimensions are for reference only, subject to change without notice.

Metric Tube to Male NPT pipe thread are available on request.

PIF - Taper Male Swivel Branch Tee (PIFTMSBT)

FRACTIONAL Tube to Male NPT pipe thread



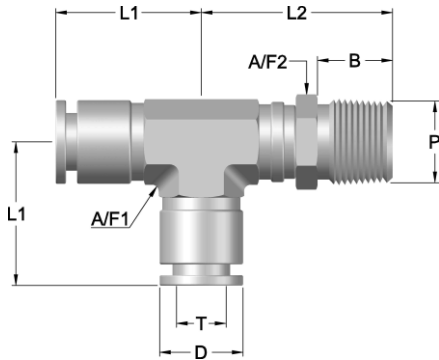
TUBE OD	PIPE THREAD	DIMENSIONS IN INCHES						SEALEXCEL PART NO.
		T	P	B	D	L1	L2	
3/16	1/8 NPT	0.33	0.42	0.78	1.05	0.39 (10mm)	7/16	PIFTMSBT-187-125N
3/16	1/4 NPT	0.47	0.42	0.78	1.19	0.39 (10mm)	9/16	PIFTMSBT-187-250N
1/4	1/8 NPT	0.33	0.49	0.85	1.09	0.47 (12mm)	1/2	PIFTMSBT-250-125N
1/4	1/4 NPT	0.47	0.49	0.85	1.24	0.47 (12mm)	9/16	PIFTMSBT-250-250N
1/4	3/8 NPT	0.47	0.49	0.85	1.25	0.47 (12mm)	11/16	PIFTMSBT-250-375N
5/16	1/8 NPT	0.33	0.56	0.89	1.13	0.55 (14mm)	9/16	PIFTMSBT-312-125N
5/16	1/4 NPT	0.47	0.56	0.89	1.28	0.55 (14mm)	9/16	PIFTMSBT-312-250N
5/16	3/8 NPT	0.47	0.56	0.89	1.29	0.55 (14mm)	11/16	PIFTMSBT-312-375N
5/16	1/2 NPT	0.63	0.56	0.89	1.47	0.55 (14mm)	7/8	PIFTMSBT-312-500N
3/8	1/8 NPT	0.33	0.63	0.94	1.22	0.63 (16mm)	11/16	PIFTMSBT-375-125N
3/8	1/4 NPT	0.47	0.63	0.94	1.34	0.63 (16mm)	5/8	PIFTMSBT-375-250N
3/8	3/8 NPT	0.47	0.63	0.94	1.35	0.63 (16mm)	11/16	PIFTMSBT-375-375N
3/8	1/2 NPT	0.63	0.63	0.94	1.52	0.63 (16mm)	7/8	PIFTMSBT-375-500N
1/2	1/4 NPT	0.47	0.78	1.03	1.42	0.75 (19mm)	13/16	PIFTMSBT-500-250N
1/2	3/8 NPT	0.47	0.78	1.03	1.42	0.75 (19mm)	13/16	PIFTMSBT-500-375N
1/2	1/2 NPT	0.63	0.78	1.03	1.59	0.75 (19mm)	7/8	PIFTMSBT-500-500N
5/8	3/8 NPT	0.47	0.93	1.25	1.59	0.94 (24mm)	15/16	PIFTMSBT-625-375N
5/8	1/2 NPT	0.63	0.93	1.25	1.75	0.94 (24mm)	15/16	PIFTMSBT-625-500N

Dimensions are for reference only, subject to change without notice.

Fractional Tube to Male BSPT pipe thread are available on request.

PIF - Taper Male Swivel Run Tee (PIFTMSRT)

METRIC Tube to Male BSPT pipe thread



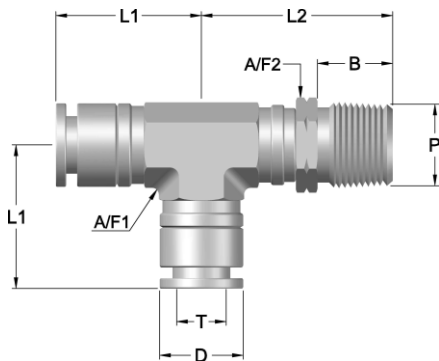
TUBE OD	PIPE THREAD	DIMENSIONS IN MILLIMETERS						SEALEXCEL PART NO.
		T	P	B	D	L1	L2	
4 mm	1/8 BSPT	7.5	10.0	19.8	25.6	10.0	11.0	PIFTMSRT - 4 - 125RT
4 mm	1/4 BSPT	11.0	10.0	19.8	29.3	10.0	14.0	PIFTMSRT - 4 - 250RT
6 mm	1/8 BSPT	7.5	12.4	21.5	26.8	12.0	13.0	PIFTMSRT - 6 - 125RT
6 mm	1/4 BSPT	11.0	12.4	21.5	30.5	12.0	14.0	PIFTMSRT - 6 - 250RT
6 mm	3/8 BSPT	11.5	12.4	21.5	31.3	12.0	17.0	PIFTMSRT - 6 - 375RT
8 mm	1/8 BSPT	7.5	14.0	22.7	27.8	14.0	14.0	PIFTMSRT - 8 - 125RT
8 mm	1/4 BSPT	11.0	14.0	22.7	31.5	14.0	14.0	PIFTMSRT - 8 - 250RT
8 mm	3/8 BSPT	11.5	14.0	22.7	32.3	14.0	17.0	PIFTMSRT - 8 - 375RT
8 mm	1/2 BSPT	15.0	14.0	22.7	36.3	14.0	22.0	PIFTMSRT - 8 - 500RT
10 mm	1/8 BSPT	7.5	16.5	23.8	29.2	16.0	16.0	PIFTMSRT - 10 - 125RT
10 mm	1/4 BSPT	11.0	16.5	23.8	33.0	16.0	16.0	PIFTMSRT - 10 - 250RT
10 mm	3/8 BSPT	11.5	16.5	23.8	33.7	16.0	17.0	PIFTMSRT - 10 - 375RT
10 mm	1/2 BSPT	15.0	16.5	23.8	37.5	16.0	22.0	PIFTMSRT - 10 - 500RT
12 mm	1/4 BSPT	11.0	19.0	26.2	35.0	19.0	19.0	PIFTMSRT - 12 - 250RT
12 mm	3/8 BSPT	11.5	19.0	26.2	35.6	19.0	19.0	PIFTMSRT - 12 - 375RT
12 mm	1/2 BSPT	15.0	19.0	26.2	39.4	19.0	22.0	PIFTMSRT - 12 - 500RT
14 mm	3/8 BSPT	11.5	21.8	30.3	38.5	22.0	22.0	PIFTMSRT - 14 - 375RT
14 mm	1/2 BSPT	15.0	21.8	30.3	42.2	22.0	22.0	PIFTMSRT - 14 - 500RT
16 mm	3/8 BSPT	11.5	23.3	31.8	40.0	24.0	24.0	PIFTMSRT - 16 - 375RT
16 mm	1/2 BSPT	15.0	23.3	31.8	43.5	24.0	24.0	PIFTMSRT - 16 - 500RT

Dimensions are for reference only, subject to change without notice.

Metric Tube to Male NPT pipe thread are available on request.

PIF - Taper Male Swivel Run Tee (PIFTMSRT)

FRACTIONAL Tube to Male NPT pipe thread



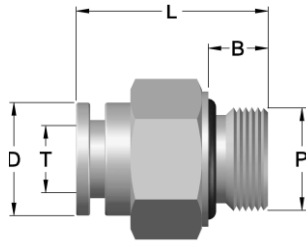
TUBE OD	PIPE THREAD	DIMENSIONS IN INCHES						SEALEXCEL PART NO.
		T	P	B	D	L1	L2	
3/16	1/8 NPT	0.33	0.42	0.78	1.05	0.39 (10mm)	7/16	PIFTMSRT-187-125N
3/16	1/4 NPT	0.47	0.42	0.78	1.19	0.39 (10mm)	9/16	PIFTMSRT-187-250N
1/4	1/8 NPT	0.33	0.49	0.85	1.09	0.47 (12mm)	1/2	PIFTMSRT-250-125N
1/4	1/4 NPT	0.47	0.49	0.85	1.24	0.47 (12mm)	9/16	PIFTMSRT-250-250N
1/4	3/8 NPT	0.47	0.49	0.85	1.25	0.47 (12mm)	11/16	PIFTMSRT-250-375N
5/16	1/8 NPT	0.33	0.56	0.89	1.13	0.55 (14mm)	9/16	PIFTMSRT-312-125N
5/16	1/4 NPT	0.47	0.56	0.89	1.28	0.55 (14mm)	9/16	PIFTMSRT-312-250N
5/16	3/8 NPT	0.47	0.56	0.89	1.29	0.55 (14mm)	11/16	PIFTMSRT-312-375N
5/16	1/2 NPT	0.63	0.56	0.89	1.47	0.55 (14mm)	7/8	PIFTMSRT-312-500N
3/8	1/8 NPT	0.33	0.63	0.94	1.20	0.63 (16mm)	11/16	PIFTMSRT-375-125N
3/8	1/4 NPT	0.47	0.63	0.94	1.34	0.63 (16mm)	5/8	PIFTMSRT-375-250N
3/8	3/8 NPT	0.47	0.63	0.94	1.35	0.63 (16mm)	11/16	PIFTMSRT-375-375N
3/8	1/2 NPT	0.63	0.63	0.94	1.52	0.63 (16mm)	7/8	PIFTMSRT-375-500N
1/2	1/4 NPT	0.47	0.78	1.03	1.42	0.75 (19mm)	13/16	PIFTMSRT-500-250N
1/2	3/8 NPT	0.47	0.78	1.03	1.42	0.75 (19mm)	13/16	PIFTMSRT-500-375N
1/2	1/2 NPT	0.63	0.78	1.03	1.59	0.75 (19mm)	7/8	PIFTMSRT-500-500N
5/8	3/8 NPT	0.47	0.93	1.25	1.59	0.94 (24mm)	15/16	PIFTMSRT-625-375N
5/8	1/2 NPT	0.63	0.93	1.25	1.75	0.94 (24mm)	15/16	PIFTMSRT-625-500N

Dimensions are for reference only, subject to change without notice.

Fractional Tube to Male BSPT pipe thread are available on request.

PIF - Parallel Male Connector (PIFPMC)

METRIC Tube to Male BSP/Metric pipe thread

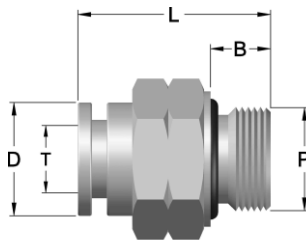


TUBE OD	PIPE THREAD	DIMENSIONS IN MILLIMETERS				SEALEXCEL PART NO.
		T	P	B	D	
4 mm	M5	5.0	10.0	23.3	11.0	PIFPMC - 4 - 5MEO
4 mm	M6	5.3	10.0	22.8	11.0	PIFPMC - 4 - 6MEO
4 mm	M7	5.3	10.0	22.8	13.0	PIFPMC - 4 - 7MEO
4 mm	M8	5.8	10.0	23.3	13.0	PIFPMC - 4 - 8MEO
4 mm	M10	5.8	10.0	23.3	14.0	PIFPMC - 4 - 10MEO
4 mm	1/8 BSP	5.8	10.0	22.3	14.0	PIFPMC - 4 - 125EO
4 mm	1/4 BSP	7.5	10.0	23.3	17.0	PIFPMC - 4 - 250EO
6 mm	M6	5.3	12.4	22.8	13.0	PIFPMC - 6 - 6MEO
6 mm	M7	5.3	12.4	22.8	13.0	PIFPMC - 6 - 7MEO
6 mm	M8	5.8	12.4	23.3	13.0	PIFPMC - 6 - 8MEO
6 mm	M10	5.8	12.4	23.3	14.0	PIFPMC - 6 - 10MEO
6 mm	1/8 BSP	5.8	12.4	23.8	14.0	PIFPMC - 6 - 125EO
6 mm	1/4 BSP	7.5	12.4	22.8	17.0	PIFPMC - 6 - 250EO
6 mm	3/8 BSP	7.5	12.4	22.8	20.6	PIFPMC - 6 - 375EO
8 mm	1/8 BSP	5.8	14.0	24.7	14.0	PIFPMC - 8 - 125EO
8 mm	1/4 BSP	7.5	14.0	23.5	17.0	PIFPMC - 8 - 250EO
8 mm	3/8 BSP	7.5	14.0	23.3	20.6	PIFPMC - 8 - 375EO
8 mm	1/2 BSP	10.0	14.0	25.3	27.0	PIFPMC - 8 - 500EO
10 mm	1/8 BSP	5.8	16.5	25.1	17.0	PIFPMC - 10 - 125EO
10 mm	1/4 BSP	7.5	16.5	27.0	17.0	PIFPMC - 10 - 250EO
10 mm	3/8 BSP	7.5	16.5	23.8	20.6	PIFPMC - 10 - 375EO
10 mm	1/2 BSP	10.0	16.5	25.5	27.0	PIFPMC - 10 - 500EO
12 mm	1/4 BSP	7.5	18.0	28.0	19.0	PIFPMC - 12 - 250EO
12 mm	3/8 BSP	7.5	19.0	28.0	20.6	PIFPMC - 12 - 375EO
12 mm	1/2 BSP	10.0	19.0	28.0	27.0	PIFPMC - 12 - 500EO
14 mm	3/8 BSP	7.5	21.8	33.3	22.0	PIFPMC - 14 - 375EO
14 mm	1/2 BSP	10.0	21.8	32.7	27.0	PIFPMC - 14 - 500EO
16 mm	3/8 BSP	7.5	23.3	32.9	23.8	PIFPMC - 16 - 375EO
16 mm	1/2 BSP	10.0	23.3	35.7	27.0	PIFPMC - 16 - 500EO

Dimensions are for reference only, subject to change without notice.

PIF - Parallel Male Connector (PIFPMC)

FRACTIONAL Tube to Male UNIVERSAL/UN pipe thread



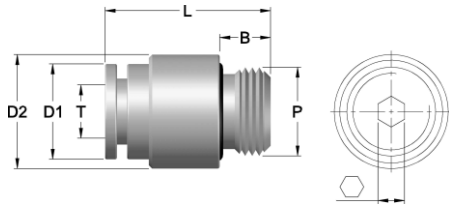
TUBE OD	PIPE THREAD	DIMENSIONS IN INCHES				SEALEXCEL PART NO.
		T	P	B	D	
3/16	10-32 UN	0.20	0.42	0.92	7/16	PIFPMC-187-1032UN
3/16	1/8 UNI	0.23	0.42	0.86	9/16	PIFPMC-187-125UNI
3/16	1/4 UNI	0.30	0.42	0.90	11/16	PIFPMC-187-250UNI
1/4	10-32 UN	0.20	0.49	0.94	1/2	PIFPMC-250-1032UN
1/4	1/8 UNI	0.23	0.49	0.98	9/16	PIFPMC-250-125UNI
1/4	1/4 UNI	0.30	0.49	0.94	11/16	PIFPMC-250-250UNI
1/4	3/8 UNI	0.30	0.49	0.93	13/16	PIFPMC-250-375UNI
5/16	1/8 UNI	0.23	0.56	1.0	9/16	PIFPMC-312-125UNI
5/16	1/4 UNI	0.30	0.56	0.96	11/16	PIFPMC-312-250UNI
5/16	3/8 UNI	0.30	0.56	0.92	13/16	PIFPMC-312-375UNI
5/16	1/2 UNI	0.39	0.56	1.0	1-1/16	PIFPMC-312-500UNI
3/8	1/8 UNI	0.23	0.63	1.0	11/16	PIFPMC-375-125UNI
3/8	1/4 UNI	0.30	0.63	1.06	11/16	PIFPMC-375-250UNI
3/8	3/8 UNI	0.30	0.63	0.96	13/16	PIFPMC-375-375UNI
3/8	1/2 UNI	0.39	0.63	1.0	1-1/16	PIFPMC-375-500UNI
1/2	1/4 UNI	0.30	0.78	1.11	13/16	PIFPMC-500-250UNI
1/2	3/8 UNI	0.30	0.78	1.09	13/16	PIFPMC-500-375UNI
1/2	1/2 UNI	0.39	0.78	1.09	1-1/16	PIFPMC-500-500UNI
5/8	3/8 UNI	0.30	0.93	1.28	15/16	PIFPMC-625-375UNI
5/8	1/2 UNI	0.39	0.93	1.38	1-1/16	PIFPMC-625-500UNI

Dimensions are for reference only, subject to change without notice.

Fractional Tube to Male BSP pipe thread are available on request.

PIF - Key Way Parallel Male Connector (PIFPMCK)

METRIC Tube to Male BSP pipe thread

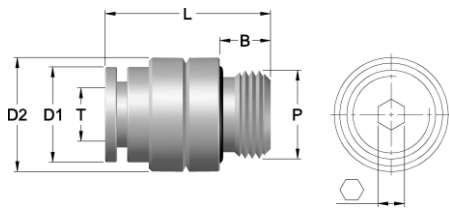


TUBE OD	PIPE THREAD	DIMENSIONS IN MILLIMETERS					SEALEXCEL PART NO.
		T	P	B	D1	D2	
4 mm	M7	5.3	10.0	12.0	23.3	3.0	PIFPMCK - 4 - 7MEO
4 mm	M8	5.8	10.0	13.0	22.8	3.0	PIFPMCK - 4 - 8MEO
4 mm	M10	5.8	10.0	14.0	22.8	3.0	PIFPMCK - 4 - 10MEO
4 mm	1/8 BSP	5.8	10.0	13.0	22.3	3.0	PIFPMCK - 4 - 125EO
4 mm	1/4 BSP	7.5	10.0	17.0	23.3	3.0	PIFPMCK - 4 - 250EO
6 mm	M10	5.8	12.4	14.0	25.3	4.0	PIFPMCK - 6 - 10MEO
6 mm	1/8 BSP	5.8	12.4	14.0	25.3	4.0	PIFPMCK - 6 - 125EO
6 mm	1/4 BSP	7.5	12.4	17.0	23.8	4.0	PIFPMCK - 6 - 250EO
6 mm	3/8 BSP	7.5	12.4	20.6	22.8	4.0	PIFPMCK - 6 - 375EO
8 mm	1/8 BSP	5.8	14.0	14.0	24.8	4.0	PIFPMCK - 8 - 125EO
8 mm	1/4 BSP	7.5	14.0	17.0	23.5	6.0	PIFPMCK - 8 - 250EO
8 mm	3/8 BSP	7.5	14.0	20.6	23.3	6.0	PIFPMCK - 8 - 375EO
8 mm	1/2 BSP	10.0	14.0	27.0	25.3	6.0	PIFPMCK - 8 - 500EO
10 mm	1/8 BSP	5.8	16.5	17.0	25.1	4.0	PIFPMCK - 10 - 125EO
10 mm	1/4 BSP	7.5	16.5	17.0	27.0	6.0	PIFPMCK - 10 - 250EO
10 mm	3/8 BSP	7.5	16.5	20.6	23.8	8.0	PIFPMCK - 10 - 375EO
10 mm	1/2 BSP	10.0	16.5	27.0	25.5	8.0	PIFPMCK - 10 - 500EO
12 mm	1/4 BSP	7.5	19.0	17.0	28.0	6.0	PIFPMCK - 12 - 250EO
12 mm	3/8 BSP	7.5	19.0	20.6	28.3	8.0	PIFPMCK - 12 - 375EO
12 mm	1/2 BSP	10.0	19.0	27.0	27.7	10.0	PIFPMCK - 12 - 500EO
14 mm	3/8 BSP	7.5	21.8	22.0	33.3	10.0	PIFPMCK - 14 - 375EO
14 mm	1/2 BSP	10.0	21.8	27.0	33.5	10.0	PIFPMCK - 14 - 500EO
16 mm	3/8 BSP	7.5	23.3	23.8	32.9	10.0	PIFPMCK - 16 - 375EO
16 mm	1/2 BSP	10.0	23.3	27.0	35.7	12.0	PIFPMCK - 16 - 500EO

Dimensions are for reference only, subject to change without notice.

PIF - Key Way Parallel Male Connector (PIFPMCK)

FRACTIONAL Tube to Male UNIVERSAL pipe thread



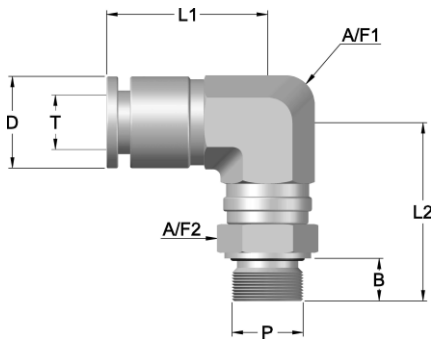
TUBE OD	PIPE THREAD	DIMENSIONS IN INCHES					SEALEXCEL PART NO.
		T	P	B	D1	D2	
3/16	1/8 UNI	0.23	0.42	9/16	0.86	1/8	PIFPMCK-187-125UNI
3/16	1/4 UNI	0.30	0.42	11/16	0.90	1/8	PIFPMCK-187-250UNI
1/4	1/8 UNI	0.23	0.49	9/16	0.98	5/32	PIFPMCK-250-125UNI
1/4	1/4 UNI	0.30	0.49	11/16	0.94	5/32	PIFPMCK-250-250UNI
1/4	3/8 UNI	0.30	0.49	13/16	0.94	5/32	PIFPMCK-250-375UNI
5/16	1/8 UNI	0.23	0.56	9/16	1.0	3/16	PIFPMCK-312-125UNI
5/16	1/4 UNI	0.30	0.56	11/16	0.96	7/32	PIFPMCK-312-250UNI
5/16	3/8 UNI	0.30	0.56	13/16	0.92	1/4	PIFPMCK-312-375UNI
5/16	1/2 UNI	0.39	0.56	1-1/16	1.0	1/4	PIFPMCK-312-500UNI
3/8	1/8 UNI	0.23	0.63	11/16	1.0	3/16	PIFPMCK-375-125UNI
3/8	1/4 UNI	0.30	0.63	11/16	1.0	1/4	PIFPMCK-375-250UNI
3/8	3/8 UNI	0.30	0.63	13/16	0.96	1/4	PIFPMCK-375-375UNI
3/8	1/2 UNI	0.39	0.63	1-1/16	1.0	5/16	PIFPMCK-375-500UNI
1/2	1/4 UNI	0.30	0.78	13/16	1.11	1/4	PIFPMCK-500-250UNI
1/2	3/8 UNI	0.30	0.78	13/16	1.09	5/16	PIFPMCK-500-375UNI
1/2	1/2 UNI	0.39	0.78	1-1/16	1.09	3/8	PIFPMCK-500-500UNI
5/8	3/8 UNI	0.30	0.93	15/16	1.28	5/16	PIFPMCK-625-375UNI
5/8	1/2 UNI	0.39	0.93	1-1/16	1.38	3/8	PIFPMCK-625-500UNI

Dimensions are for reference only, subject to change without notice.

Fractional Tube to Male BSP pipe thread are available on request.

PIF - Parallel Male Swivel Elbow (PIFPMSE)

METRIC Tube to Male BSP/Metric pipe thread

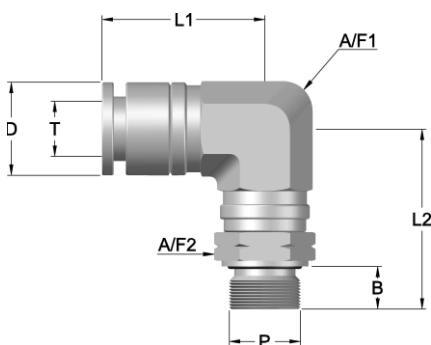


TUBE OD	PIPE THREAD	DIMENSIONS IN MILLIMETERS						SEALEXCEL PART NO.
		T	P	B	D	L1	L2	
4 mm	M5	5.0	10.0	19.8	24.0	10.0	11.0	PIFPMSE - 4 - 5MEO
4 mm	M6	5.3	10.0	19.8	24.3	10.0	11.0	PIFPMSE - 4 - 6MEO
4 mm	M7	5.3	10.0	19.8	24.3	10.0	13.0	PIFPMSE - 4 - 7MEO
4 mm	M8	5.8	10.0	19.8	24.5	10.0	14.0	PIFPMSE - 4 - 8MEO
4 mm	M10	5.8	10.0	19.8	24.5	10.0	14.0	PIFPMSE - 4 - 10MEO
4 mm	1/8 BSP	5.8	10.0	19.8	24.9	10.0	14.0	PIFPMSE - 4 - 125EO
4 mm	1/4 BSP	7.5	10.0	19.8	26.8	10.0	17.0	PIFPMSE - 4 - 250EO
6 mm	M6	5.3	12.4	21.5	25.7	12.0	13.0	PIFPMSE - 6 - 6MEO
6 mm	M7	5.3	12.4	21.5	25.7	12.0	13.0	PIFPMSE - 6 - 7MEO
6 mm	M8	5.8	12.4	21.5	26.0	12.0	14.0	PIFPMSE - 6 - 8MEO
6 mm	M10	5.8	12.4	21.5	26.0	12.0	14.0	PIFPMSE - 6 - 10MEO
6 mm	1/8 BSP	5.8	12.4	21.5	26.0	12.0	14.0	PIFPMSE - 6 - 125EO
6 mm	1/4 BSP	7.5	12.4	21.5	28.0	12.0	17.0	PIFPMSE - 6 - 250EO
6 mm	3/8 BSP	7.5	12.4	21.5	28.5	12.0	20.6	PIFPMSE - 6 - 375EO
8 mm	1/8 BSP	5.8	14.0	22.7	27.0	14.0	14.0	PIFPMSE - 8 - 125EO
8 mm	1/4 BSP	7.5	14.0	22.7	29.0	14.0	17.0	PIFPMSE - 8 - 250EO
8 mm	3/8 BSP	7.5	14.0	22.7	29.5	14.0	20.6	PIFPMSE - 8 - 375EO
8 mm	1/2 BSP	10.0	14.0	22.7	33.0	14.0	27.0	PIFPMSE - 8 - 500EO
10 mm	1/8 BSP	5.8	16.5	23.8	28.3	16.0	16.0	PIFPMSE - 10 - 125EO
10 mm	1/4 BSP	7.5	16.5	23.8	30.3	16.0	17.0	PIFPMSE - 10 - 250EO
10 mm	3/8 BSP	7.5	16.5	23.8	30.7	16.0	20.6	PIFPMSE - 10 - 375EO
10 mm	1/2 BSP	10.0	16.5	23.8	33.8	16.0	27.0	PIFPMSE - 10 - 500EO
12 mm	1/4 BSP	7.5	19.0	26.2	32.8	19.0	19.0	PIFPMSE - 12 - 250EO
12 mm	3/8 BSP	7.5	19.0	26.2	32.6	19.0	20.6	PIFPMSE - 12 - 375EO
12 mm	1/2 BSP	10.0	19.0	26.2	35.8	19.0	27.0	PIFPMSE - 12 - 500EO
14 mm	3/8 BSP	7.5	21.8	30.3	35.4	22.0	22.0	PIFPMSE - 14 - 375EO
14 mm	1/2 BSP	10.0	21.8	30.3	38.4	22.0	27.0	PIFPMSE - 14 - 500EO
16 mm	3/8 BSP	7.5	23.3	31.8	36.7	24.0	24.0	PIFPMSE - 16 - 375EO
16 mm	1/2 BSP	10.0	23.3	31.8	39.6	24.0	27.0	PIFPMSE - 16 - 500EO

Dimensions are for reference only, subject to change without notice.

PIF - Parallel Male Swivel Elbow (PIFPMSE)

FRACTIONAL Tube to Male UNIVERSAL/UN pipe thread



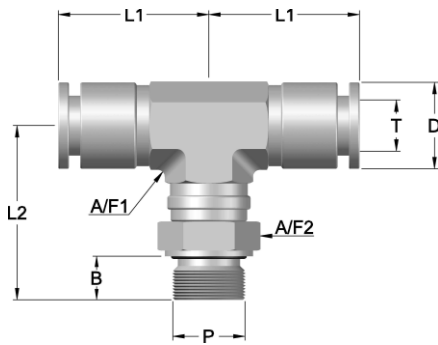
TUBE OD	PIPE THREAD	DIMENSIONS IN INCHES						SEALEXCEL PART NO.
		T	P	B	D	L1	L2	
3/16	10-32 UN	0.20	0.42	0.78	0.95	0.39 (10mm)	7/16	PIFPMSE-187-1032UN
3/16	1/8 UNI	0.23	0.42	0.78	0.98	0.39 (10mm)	9/16	PIFPMSE-187-125UNI
3/16	1/4 UNI	0.30	0.42	0.78	1.06	0.39 (10mm)	11/16	PIFPMSE-187-250UNI
1/4	10-32 UN	0.20	0.49	0.85	1.00	0.47 (12mm)	1/2	PIFPMSE-250-1032UN
1/4	1/8 UNI	0.23	0.49	0.85	1.03	0.47 (12mm)	9/16	PIFPMSE-250-125UNI
1/4	1/4 UNI	0.30	0.49	0.85	1.11	0.47 (12mm)	11/16	PIFPMSE-250-250UNI
1/4	3/8 UNI	0.30	0.49	0.85	1.12	0.47 (12mm)	13/16	PIFPMSE-250-375UNI
5/16	1/8 UNI	0.23	0.56	0.89	1.07	0.55 (14mm)	9/16	PIFPMSE-312-125UNI
5/16	1/4 UNI	0.30	0.56	0.89	1.14	0.55 (14mm)	11/16	PIFPMSE-312-250UNI
5/16	3/8 UNI	0.30	0.56	0.89	1.16	0.55 (14mm)	13/16	PIFPMSE-312-375UNI
5/16	1/2 UNI	0.39	0.56	0.89	1.30	0.55 (14mm)	1-1/16	PIFPMSE-312-500UNI
3/8	1/8 UNI	0.23	0.63	0.94	1.12	0.63 (16mm)	11/16	PIFPMSE-375-125UNI
3/8	1/4 UNI	0.30	0.63	0.94	1.19	0.63 (16mm)	11/16	PIFPMSE-375-250UNI
3/8	3/8 UNI	0.30	0.63	0.94	1.21	0.63 (16mm)	13/16	PIFPMSE-375-375UNI
3/8	1/2 UNI	0.39	0.63	0.94	1.33	0.63 (16mm)	1-1/16	PIFPMSE-375-500UNI
1/2	1/4 UNI	0.30	0.78	1.03	1.29	0.75 (19mm)	13/16	PIFPMSE-500-250UNI
1/2	3/8 UNI	0.30	0.78	1.03	1.28	0.75 (19mm)	13/16	PIFPMSE-500-375UNI
1/2	1/2 UNI	0.39	0.78	1.03	1.41	0.75 (19mm)	1-1/16	PIFPMSE-500-500UNI
5/8	3/8 UNI	0.30	0.93	1.25	1.44	0.94 (24mm)	15/16	PIFPMSE-625-375UNI
5/8	1/2 UNI	0.39	0.93	1.25	1.56	0.94 (24mm)	1-1/16	PIFPMSE-625-500UNI

Dimensions are for reference only, subject to change without notice.

Fractional Tube to Male BSP pipe thread are available on request.

PIF - Parallel Male Swivel Branch Tee (PIFPMSBT)

METRIC Tube to Male BSP/Metric pipe thread

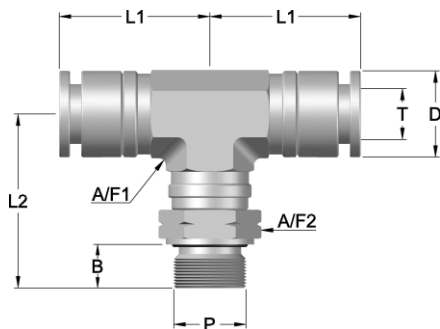


TUBE OD	PIPE THREAD	DIMENSIONS IN MILLIMETERS						SEALEXCEL PART NO.
		T	P	B	D	L1	L2	
4 mm	M5	5.0	10.0	19.8	24.0	10.0	11.0	PIFPMSBT - 4 - 5MEO
4 mm	M6	5.3	10.0	19.8	24.3	10.0	11.0	PIFPMSBT - 4 - 6MEO
4 mm	M7	5.3	10.0	19.8	24.3	10.0	13.0	PIFPMSBT - 4 - 7MEO
4 mm	M8	5.8	10.0	19.8	24.5	10.0	14.0	PIFPMSBT - 4 - 8MEO
4 mm	M10	5.8	10.0	19.8	24.5	10.0	14.0	PIFPMSBT - 4 - 10MEO
4 mm	1/8 BSP	5.8	10.0	19.8	24.9	10.0	14.0	PIFPMSBT - 4 - 125EO
4 mm	1/4 BSP	7.5	10.0	19.8	26.8	10.0	17.0	PIFPMSBT - 4 - 250EO
6 mm	M6	5.3	12.4	21.5	25.7	12.0	13.0	PIFPMSBT - 6 - 6MEO
6 mm	M7	5.3	12.4	21.5	25.7	12.0	13.0	PIFPMSBT - 6 - 7MEO
6 mm	M8	5.8	12.4	21.5	26.0	12.0	14.0	PIFPMSBT - 6 - 8MEO
6 mm	M10	5.8	12.4	21.5	26.0	12.0	14.0	PIFPMSBT - 6 - 10MEO
6 mm	1/8 BSP	5.8	12.4	21.5	26.0	12.0	14.0	PIFPMSBT - 6 - 125EO
6 mm	1/4 BSP	7.5	12.4	21.5	28.0	12.0	17.0	PIFPMSBT - 6 - 250EO
6 mm	3/8 BSP	7.5	12.4	21.5	28.5	12.0	20.6	PIFPMSBT - 6 - 375EO
8 mm	1/8 BSP	5.8	14.0	22.7	27.0	14.0	14.0	PIFPMSBT - 8 - 125EO
8 mm	1/4 BSP	7.5	14.0	22.7	29.0	14.0	17.0	PIFPMSBT - 8 - 250EO
8 mm	3/8 BSP	7.5	14.0	22.7	29.5	14.0	20.6	PIFPMSBT - 8 - 375EO
8 mm	1/2 BSP	10.0	14.0	22.7	33.0	14.0	27.0	PIFPMSBT - 8 - 500EO
10 mm	1/8 BSP	5.8	16.5	23.8	28.3	16.0	16.0	PIFPMSBT - 10 - 125EO
10 mm	1/4 BSP	7.5	16.5	23.8	30.3	16.0	17.0	PIFPMSBT - 10 - 250EO
10 mm	3/8 BSP	7.5	16.5	23.8	30.7	16.0	20.6	PIFPMSBT - 10 - 375EO
10 mm	1/2 BSP	10.0	16.5	23.8	33.8	16.0	27.0	PIFPMSBT - 10 - 500EO
12 mm	1/4 BSP	7.5	19.0	26.2	32.8	19.0	19.0	PIFPMSBT - 12 - 250EO
12 mm	3/8 BSP	7.5	19.0	26.2	32.6	19.0	20.6	PIFPMSBT - 12 - 375EO
12 mm	1/2 BSP	10.0	19.0	26.2	35.8	19.0	27.0	PIFPMSBT - 12 - 500EO
14 mm	3/8 BSP	7.5	21.8	30.3	35.4	22.0	22.0	PIFPMSBT - 14 - 375EO
14 mm	1/2 BSP	10.0	21.8	30.3	38.4	22.0	27.0	PIFPMSBT - 14 - 500EO
16 mm	3/8 BSP	7.5	23.3	31.8	36.7	24.0	24.0	PIFPMSBT - 16 - 375EO
16 mm	1/2 BSP	10.0	23.3	31.8	39.6	24.0	27.0	PIFPMSBT - 16 - 500EO

Dimensions are for reference only, subject to change without notice.

PIF — Parallel Male Swivel Branch Tee (PIFPMSBT)

FRACTIONAL Tube to Male UNIVERSAL/UN pipe thread



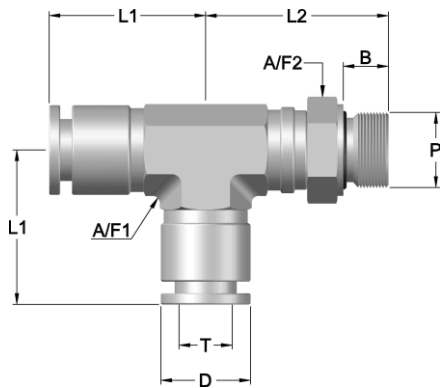
TUBE OD	PIPE THREAD	DIMENSIONS IN INCHES						SEALEXCEL PART NO.
		T	P	B	D	L1	L2	
3/16	10-32 UN	0.20	0.42	0.78	0.95	0.39 (10mm)	7/16	PIFPMSBT-187-1032UN
3/16	1/8 UNI	0.23	0.42	0.78	0.98	0.39 (10mm)	9/16	PIFPMSBT-187-125UNI
3/16	1/4 UNI	0.30	0.42	0.78	1.06	0.39 (10mm)	11/16	PIFPMSBT-187-250UNI
1/4	10-32 UN	0.20	0.49	0.85	1.00	0.47 (12mm)	1/2	PIFPMSBT-187-1032UN
1/4	1/8 UNI	0.23	0.49	0.85	1.03	0.47 (12mm)	9/16	PIFPMSBT-250-125UNI
1/4	1/4 UNI	0.30	0.49	0.85	1.11	0.47 (12mm)	11/16	PIFPMSBT-250-250UNI
1/4	3/8 UNI	0.30	0.49	0.85	1.12	0.47 (12mm)	13/16	PIFPMSBT-250-375UNI
5/16	1/8 UNI	0.23	0.56	0.89	1.07	0.55 (14mm)	9/16	PIFPMSBT-312-125UNI
5/16	1/4 UNI	0.30	0.56	0.89	1.14	0.55 (14mm)	11/16	PIFPMSBT-312-250UNI
5/16	3/8 UNI	0.30	0.56	0.89	1.16	0.55 (14mm)	13/16	PIFPMSBT-312-375UNI
5/16	1/2 UNI	0.39	0.56	0.89	1.30	0.55 (14mm)	1-1/16	PIFPMSBT-312-500UNI
3/8	1/8 UNI	0.23	0.63	0.94	1.12	0.63 (16mm)	11/16	PIFPMSBT-375-125UNI
3/8	1/4 UNI	0.30	0.63	0.94	1.19	0.63 (16mm)	11/16	PIFPMSBT-375-250UNI
3/8	3/8 UNI	0.30	0.63	0.94	1.21	0.63 (16mm)	13/16	PIFPMSBT-375-375UNI
3/8	1/2 UNI	0.39	0.63	0.94	1.33	0.63 (16mm)	1-1/16	PIFPMSBT-375-500UNI
1/2	1/4 UNI	0.30	0.78	1.03	1.29	0.75 (19mm)	13/16	PIFPMSBT-500-250UNI
1/2	3/8 UNI	0.30	0.78	1.03	1.28	0.75 (19mm)	13/16	PIFPMSBT-500-375UNI
1/2	1/2 UNI	0.39	0.78	1.03	1.41	0.75 (19mm)	1-1/16	PIFPMSBT-500-500UNI
5/8	3/8 UNI	0.30	0.93	1.25	1.44	0.94 (24mm)	15/16	PIFPMSBT-625-375UNI
5/8	1/2 UNI	0.39	0.93	1.25	1.56	0.94 (24mm)	1-1/16	PIFPMSBT-625-500UNI

Dimensions are for reference only, subject to change without notice.

Fractional Tube to Male BSP pipe thread are available on request.

PIF - Parallel Male Swivel Run Tee (PIFMSRT)

METRIC Tube to Male BSP/Metric pipe thread

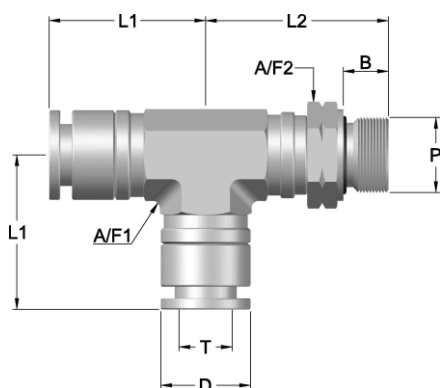


TUBE OD	PIPE THREAD	DIMENSIONS IN MILLIMETERS						SEALEXCEL PART NO.
		T	P	B	D	L1	L2	
4 mm	M5	5.0	10.0	19.8	24.0	10.0	11.0	PIFMSRT - 4 - 5MEO
4 mm	M6	5.3	10.0	19.8	24.3	10.0	11.0	PIFMSRT - 4 - 6MEO
4 mm	M7	5.3	10.0	19.8	24.3	10.0	13.0	PIFMSRT - 4 - 7MEO
4 mm	M8	5.8	10.0	19.8	24.5	10.0	14.0	PIFMSRT - 4 - 8MEO
4 mm	M10	5.8	10.0	19.8	24.5	10.0	14.0	PIFMSRT - 4 - 10MEO
4 mm	1/8 BSP	5.8	10.0	19.8	24.9	10.0	14.0	PIFMSRT - 4 - 125EO
4 mm	1/4 BSP	7.5	10.0	19.8	26.8	10.0	17.0	PIFMSRT - 4 - 250EO
6 mm	M6	5.3	12.4	21.5	25.7	12.0	13.0	PIFMSRT - 6 - 6MEO
6 mm	M7	5.3	12.4	21.5	25.7	12.0	13.0	PIFMSRT - 6 - 7MEO
6 mm	M8	5.8	12.4	21.5	26.0	12.0	14.0	PIFMSRT - 6 - 8MEO
6 mm	M10	5.8	12.4	21.5	26.0	12.0	14.0	PIFMSRT - 6 - 10MEO
6 mm	1/8 BSP	5.8	12.4	21.5	26.0	12.0	14.0	PIFMSRT - 6 - 125EO
6 mm	1/4 BSP	7.5	12.4	21.5	28.0	12.0	17.0	PIFMSRT - 6 - 250EO
6 mm	3/8 BSP	7.5	12.4	21.5	28.5	12.0	20.6	PIFMSRT - 6 - 375EO
8 mm	1/8 BSP	5.8	14.0	22.7	27.0	14.0	14.0	PIFMSRT - 8 - 125EO
8 mm	1/4 BSP	7.5	14.0	22.7	29.0	14.0	17.0	PIFMSRT - 8 - 250EO
8 mm	3/8 BSP	7.5	14.0	22.7	29.5	14.0	20.6	PIFMSRT - 8 - 375EO
8 mm	1/2 BSP	10.0	14.0	22.7	33.0	14.0	27.0	PIFMSRT - 8 - 500EO
10 mm	1/8 BSP	5.8	16.5	23.8	28.3	16.0	16.0	PIFMSRT - 10 - 125EO
10 mm	1/4 BSP	7.5	16.5	23.8	30.3	16.0	17.0	PIFMSRT - 10 - 250EO
10 mm	3/8 BSP	7.5	16.5	23.8	30.7	16.0	20.6	PIFMSRT - 10 - 375EO
10 mm	1/2 BSP	10.0	16.5	23.8	33.8	16.0	27.0	PIFMSRT - 10 - 500EO
12 mm	1/4 BSP	7.5	19.0	26.2	32.8	19.0	19.0	PIFMSRT - 12 - 250EO
12 mm	3/8 BSP	7.5	19.0	26.2	32.6	19.0	20.6	PIFMSRT - 12 - 375EO
12 mm	1/2 BSP	10.0	19.0	26.2	35.8	19.0	27.0	PIFMSRT - 12 - 500EO
14 mm	3/8 BSP	7.5	21.8	30.3	35.4	22.0	22.0	PIFMSRT - 14 - 375EO
14 mm	1/2 BSP	10.0	21.8	30.3	38.4	22.0	27.0	PIFMSRT - 14 - 500EO
16 mm	3/8 BSP	7.5	23.3	31.8	36.7	24.0	24.0	PIFMSRT - 16 - 375EO
16 mm	1/2 BSP	10.0	23.3	31.8	39.6	24.0	27.0	PIFMSRT - 16 - 500EO

Dimensions are for reference only, subject to change without notice.

PIF - Parallel Male Swivel Run Tee (PIFMSRT)

FRACTIONAL Tube to Male UNIVERSAL/UN pipe thread



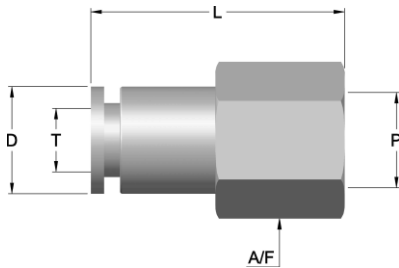
TUBE OD	PIPE THREAD	DIMENSIONS IN INCHES						SEALEXCEL PART NO.
		T	P	B	D	L1	L2	
3/16	10-32 UN	0.20	0.42	0.78	0.95	0.39 (10mm)	7/16	PIFMSRT-187-1032UN
3/16	1/8 UNI	0.23	0.42	0.78	0.98	0.39 (10mm)	9/16	PIFMSRT-187-125UNI
3/16	1/4 UNI	0.30	0.42	0.78	1.06	0.39 (10mm)	11/16	PIFMSRT-187-250UNI
1/4	10-32 UN	0.20	0.49	0.85	1.00	0.47 (12mm)	1/2	PIFMSRT-187-1032UN
1/4	1/8 UNI	0.23	0.49	0.85	1.03	0.47 (12mm)	9/16	PIFMSRT-250-125UNI
1/4	1/4 UNI	0.30	0.49	0.85	1.11	0.47 (12mm)	11/16	PIFMSRT-250-250UNI
1/4	3/8 UNI	0.30	0.49	0.85	1.12	0.47 (12mm)	13/16	PIFMSRT-250-375UNI
5/16	1/8 UNI	0.23	0.56	0.89	1.07	0.55 (14mm)	9/16	PIFMSRT-312-125UNI
5/16	1/4 UNI	0.30	0.56	0.89	1.14	0.55 (14mm)	11/16	PIFMSRT-312-250UNI
5/16	3/8 UNI	0.30	0.56	0.89	1.16	0.55 (14mm)	13/16	PIFMSRT-312-375UNI
5/16	1/2 UNI	0.39	0.56	0.89	1.30	0.55 (14mm)	1-1/16	PIFMSRT-312-500UNI
3/8	1/8 UNI	0.23	0.63	0.94	1.12	0.63 (16mm)	11/16	PIFMSRT-375-125UNI
3/8	1/4 UNI	0.30	0.63	0.94	1.19	0.63 (16mm)	11/16	PIFMSRT-375-250UNI
3/8	3/8 UNI	0.30	0.63	0.94	1.21	0.63 (16mm)	13/16	PIFMSRT-375-375UNI
3/8	1/2 UNI	0.39	0.63	0.94	1.33	0.63 (16mm)	1-1/16	PIFMSRT-375-500UNI
1/2	1/4 UNI	0.30	0.78	1.03	1.29	0.75 (19mm)	13/16	PIFMSRT-500-250UNI
1/2	3/8 UNI	0.30	0.78	1.03	1.28	0.75 (19mm)	13/16	PIFMSRT-500-375UNI
1/2	1/2 UNI	0.39	0.78	1.03	1.41	0.75 (19mm)	1-1/16	PIFMSRT-500-500UNI
5/8	3/8 UNI	0.30	0.93	1.25	1.44	0.94 (24mm)	15/16	PIFMSRT-625-375UNI
5/8	1/2 UNI	0.39	0.93	1.25	1.56	0.94 (24mm)	1-1/16	PIFMSRT-625-500UNI

Dimensions are for reference only, subject to change without notice.

Fractional Tube to Male BSP pipe thread are available on request.

PIF — Taper Female Connector (PIFTFC)

METRIC Tube to Female BSPT pipe thread



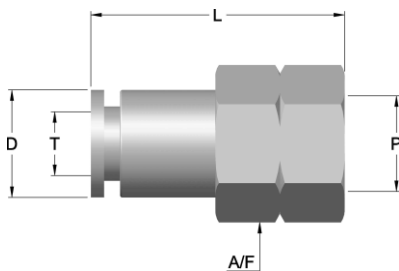
TUBE OD	PIPE THREAD	DIMENSIONS IN MILLIMETERS			SEALEXCEL PART NO.
		T	P	A/F	
4 mm	1/8 BSPT	10.0	28.3	13.0	PIFTFC - 4 - 125RT
4 mm	1/4 BSPT	10.0	31.3	17.0	PIFTFC - 4 - 250RT
6 mm	1/8 BSPT	12.4	28.8	13.0	PIFTFC - 6 - 125RT
6 mm	1/4 BSPT	12.4	31.8	17.0	PIFTFC - 6 - 250RT
6 mm	3/8 BSPT	12.4	32.3	20.6	PIFTFC - 6 - 375RT
8 mm	1/8 BSPT	14.0	28.8	14.0	PIFTFC - 8 - 125RT
8 mm	1/4 BSPT	14.0	31.8	17.0	PIFTFC - 8 - 250RT
8 mm	3/8 BSPT	14.0	32.3	20.6	PIFTFC - 8 - 375RT
8 mm	1/2 BSPT	14.0	36.5	27.0	PIFTFC - 8 - 500RT
10 mm	1/8 BSPT	16.5	28.8	17.0	PIFTFC - 10 - 125RT
10 mm	1/4 BSPT	16.5	31.8	17.0	PIFTFC - 10 - 250RT
10 mm	3/8 BSPT	16.5	32.3	20.6	PIFTFC - 10 - 375RT
10 mm	1/2 BSPT	16.5	36.3	27.0	PIFTFC - 10 - 500RT
12 mm	1/4 BSPT	19.0	33.2	20.6	PIFTFC - 12 - 250RT
12 mm	3/8 BSPT	19.0	34.0	20.6	PIFTFC - 12 - 375RT
12 mm	1/2 BSPT	19.0	38.2	27.0	PIFTFC - 12 - 500RT
14 mm	3/8 BSPT	21.8	38.6	22.0	PIFTFC - 14 - 375RT
14 mm	1/2 BSPT	21.8	43.0	27.0	PIFTFC - 14 - 500RT
16 mm	3/8 BSPT	23.3	38.2	24.0	PIFTFC - 16 - 375RT
16 mm	1/2 BSPT	23.3	42.5	27.0	PIFTFC - 16 - 500RT

Dimensions are for reference only, subject to change without notice.

Metric Tube to Female NPT pipe thread are available on request.

PIF - Taper Female Connector (PIFTFC)

FRACTIONAL Tube to Female NPT pipe thread



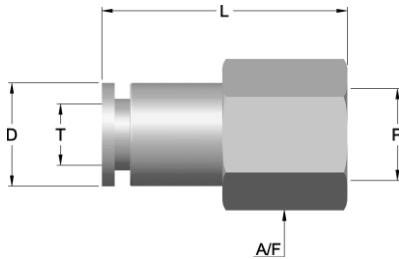
TUBE OD	PIPE THREAD	DIMENSIONS IN INCHES			SEALEXCEL PART NO.
		T	P	A/F	
3/16	1/8 NPT	0.42	1.15	1/2	PIFTFC-187-125N
3/16	1/4 NPT	0.42	1.27	11/16	PIFTFC-187-250N
1/4	1/8 NPT	0.49	1.17	1/2	PIFTFC-250-125N
1/4	1/4 NPT	0.49	1.29	11/16	PIFTFC-250-250N
1/4	3/8 NPT	0.49	1.27	13/16	PIFTFC-250-375N
5/16	1/8 NPT	0.56	1.17	9/16	PIFTFC-312-125N
5/16	1/4 NPT	0.56	1.28	11/16	PIFTFC-312-250N
5/16	3/8 NPT	0.56	1.32	13/16	PIFTFC-312-375N
3/8	1/4 NPT	0.63	1.28	11/16	PIFTFC-375-250N
3/8	3/8 NPT	0.63	1.30	13/16	PIFTFC-375-375N
3/8	1/2 NPT	0.63	1.43	1-1/16	PIFTFC-375-500N
1/2	1/4 NPT	0.78	1.33	13/16	PIFTFC-500-250N
1/2	3/8 NPT	0.78	1.34	13/16	PIFTFC-500-375N
1/2	1/2 NPT	0.78	1.50	1-1/16	PIFTFC-500-500N
5/8	3/8 NPT	0.93	1.5	15/16	PIFTFC-625-375N
5/8	1/2 NPT	0.93	1.67	1-1/16	PIFTFC-625-500N

Dimensions are for reference only, subject to change without notice.

Fractional Tube to Female BSP/BSPT pipe thread are available on request.

PIF — Parallel Female Connector (PIFPFC)

METRIC Tube to Female BSP pipe thread

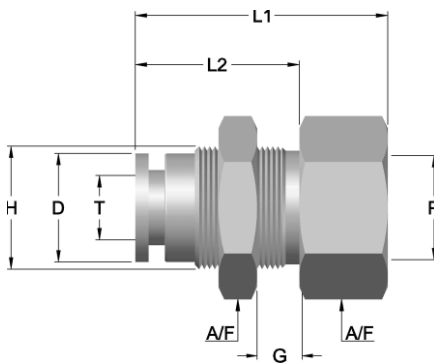


TUBE OD	PIPE THREAD	DIMENSIONS IN MILLIMETERS			SEALEXCEL PART NO.
		T	P	A/F	
4 mm	1/8 BSP	10.0	28.3	13.0	PIFPFC - 4 - 125RG
4 mm	1/4 BSP	10.0	28.7	17.0	PIFPFC - 4 - 250RG
6 mm	1/8 BSP	12.4	28.7	13.0	PIFPFC - 6 - 125RG
6 mm	1/4 BSP	12.4	30.3	17.0	PIFPFC - 6 - 250RG
6 mm	3/8 BSP	12.4	30.3	20.6	PIFPFC - 6 - 375RG
8 mm	1/8 BSP	14.0	29.3	14.0	PIFPFC - 8 - 125RG
8 mm	1/4 BSP	14.0	29.8	17.0	PIFPFC - 8 - 250RG
8 mm	3/8 BSP	14.0	30.3	20.6	PIFPFC - 8 - 375RG
8 mm	1/2 BSP	14.0	33.3	27.0	PIFPFC - 8 - 500RG
10 mm	1/8 BSP	16.5	29.3	17.0	PIFPFC - 10 - 125RG
10 mm	1/4 BSP	16.5	30.8	17.0	PIFPFC - 10 - 250RG
10 mm	3/8 BSP	16.5	30.3	20.6	PIFPFC - 10 - 375RG
10 mm	1/2 BSP	16.5	33.1	27.0	PIFPFC - 10 - 500RG
12 mm	1/4 BSP	19.0	31.3	20.6	PIFPFC - 12 - 250RG
12 mm	3/8 BSP	19.0	31.7	20.6	PIFPFC - 12 - 375RG
12 mm	1/2 BSP	19.0	34.5	27.0	PIFPFC - 12 - 500RG
14 mm	3/8 BSP	21.8	36.7	22.0	PIFPFC - 14 - 375RG
14 mm	1/2 BSP	21.8	39.5	27.0	PIFPFC - 14 - 500RG
16 mm	3/8 BSP	23.3	36.3	24.0	PIFPFC - 16 - 375RG
16 mm	1/2 BSP	23.3	38.9	27.0	PIFPFC - 16 - 500RG

Dimensions are for reference only, subject to change without notice.

PIF — Parallel Female Bulkhead Connector (PIPFBC)

METRIC Tube to Female BSP pipe thread

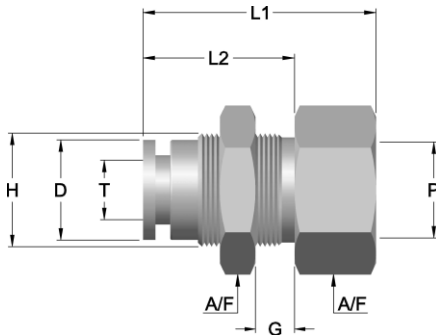


TUBE OD	PIPE THREAD	DIMENSIONS IN MILLIMETERS						SEALEXCEL PART NO.
		T	P	D	L1	L2	G	
4 mm	1/8 BSP	10.0	30.8	18.3	6.0	M12x1	16.0	PIPFBC - 4 - 125RG
4 mm	1/4 BSP	10.0	32.8	18.3	6.0	M12x1	17.0	PIPFBC - 4 - 250RG
6 mm	1/8 BSP	12.4	30.8	18.8	6.0	M14x1	19.0	PIPFBC - 6 - 125RG
6 mm	1/4 BSP	12.4	32.8	18.8	6.0	M14x1	19.0	PIPFBC - 6 - 250RG
6 mm	3/8 BSP	12.4	32.8	18.8	6.0	M14x1	20.6	PIPFBC - 6 - 375RG
8 mm	1/8 BSP	14.0	31.3	19.8	6.0	M16x1	20.6	PIPFBC - 8 - 125RG
8 mm	1/4 BSP	14.0	34.3	19.8	6.0	M16x1	20.6	PIPFBC - 8 - 250RG
8 mm	3/8 BSP	14.0	34.3	19.8	6.0	M16x1	20.6	PIPFBC - 8 - 375RG
8 mm	1/2 BSP	14.0	40.3	19.8	6.0	M16x1	27.0	PIPFBC - 8 - 500RG
10 mm	1/8 BSP	16.5	34.3	24.3	8.0	M18x1	22.0	PIPFBC - 10 - 125RG
10 mm	1/4 BSP	16.5	35.3	24.3	8.0	M18x1	22.0	PIPFBC - 10 - 250RG
10 mm	3/8 BSP	16.5	37.3	24.3	8.0	M18x1	22.0	PIPFBC - 10 - 375RG
10 mm	1/2 BSP	16.5	40.8	24.3	8.0	M18x1	27.0	PIPFBC - 10 - 500RG
12 mm	1/4 BSP	19.0	36.7	24.7	10.0	M22x1.5	27.0	PIPFBC - 12 - 250RG
12 mm	3/8 BSP	19.0	36.7	24.7	10.0	M22x1.5	27.0	PIPFBC - 12 - 375RG
12 mm	1/2 BSP	19.0	41.2	24.7	10.0	M22x1.5	27.0	PIPFBC - 12 - 500RG
14 mm	3/8 BSP	21.8	42.7	30.7	10.0	M24x1.5	28.6	PIPFBC - 14 - 375RG
14 mm	1/2 BSP	21.8	45.2	30.7	10.0	M24x1.5	28.6	PIPFBC - 14 - 500RG
16 mm	3/8 BSP	23.3	40.7	30.7	10.0	M26x1.5	30.0	PIPFBC - 16 - 375RG
16 mm	1/2 BSP	23.3	42.7	30.7	10.0	M26x1.5	30.0	PIPFBC - 16 - 500RG

Dimensions are for reference only, subject to change without notice.

PIF - Taper Female Bulkhead Connector (PIFTFBC)

METRIC Tube to Female BSPT pipe thread



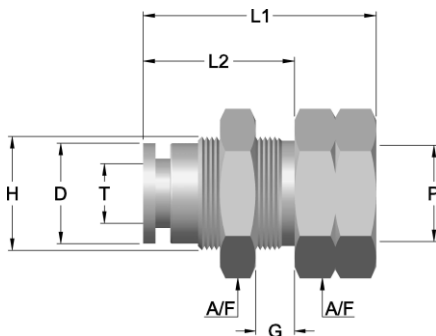
TUBE OD	PIPE THREAD	DIMENSIONS IN MILLIMETERS						SEALEXCEL PART NO.
		T	P	D	L1	L2	G	
4 mm	1/8 BSPT	10.0	30.8	18.3	6.0	M12x1	16.0	PIFTFBC - 4 - 125RT
4 mm	1/4 BSPT	10.0	33.8	18.3	6.0	M12x1	17.0	PIFTFBC - 4 - 250RT
6 mm	1/8 BSPT	12.4	31.3	18.8	6.0	M14x1	19.0	PIFTFBC - 6 - 125RT
6 mm	1/4 BSPT	12.4	34.3	18.8	6.0	M14x1	19.0	PIFTFBC - 6 - 250RT
6 mm	3/8 BSPT	12.4	34.8	18.8	6.0	M14x1	20.6	PIFTFBC - 6 - 375RT
8 mm	1/8 BSPT	14.0	30.3	19.8	6.0	M16x1	20.6	PIFTFBC - 8 - 125RT
8 mm	1/4 BSPT	14.0	34.8	19.8	6.0	M16x1	20.6	PIFTFBC - 8 - 250RT
8 mm	3/8 BSPT	14.0	35.8	19.8	6.0	M16x1	20.6	PIFTFBC - 8 - 375RT
8 mm	1/2 BSPT	14.0	40.3	19.8	6.0	M16x1	27.0	PIFTFBC - 8 - 500RT
10 mm	1/8 BSPT	16.5	34.8	24.3	8.0	M18x1	22.0	PIFTFBC - 10 - 125RT
10 mm	1/4 BSPT	16.5	37.3	24.3	8.0	M18x1	22.0	PIFTFBC - 10 - 250RT
10 mm	3/8 BSPT	16.5	40.3	24.3	8.0	M18x1	22.0	PIFTFBC - 10 - 375RT
10 mm	1/2 BSPT	16.5	45.1	24.3	8.0	M18x1	27.0	PIFTFBC - 10 - 500RT
12 mm	1/4 BSPT	19.0	35.7	24.7	10.0	M22x1.5	27.0	PIFTFBC - 12 - 250RT
12 mm	3/8 BSPT	19.0	36.7	24.7	10.0	M22x1.5	27.0	PIFTFBC - 12 - 375RT
12 mm	1/2 BSPT	19.0	45.5	24.7	10.0	M22x1.5	27.0	PIFTFBC - 12 - 500RT
14 mm	3/8 BSPT	21.8	41.7	30.7	10.0	M24x1.5	28.6	PIFTFBC - 14 - 375RT
14 mm	1/2 BSPT	21.8	47.7	30.7	10.0	M24x1.5	28.6	PIFTFBC - 14 - 500RT
16 mm	3/8 BSPT	23.3	40.7	30.7	10.0	M26x1.5	30.0	PIFTFBC - 16 - 375RT
16 mm	1/2 BSPT	23.3	47.7	30.7	10.0	M26x1.5	30.0	PIFTFBC - 16 - 500RT

Dimensions are for reference only, subject to change without notice.

Metric Tube to Female NPT pipe thread are available on request.

PIF - Taper Female Bulkhead Connector (PIFTFBC)

FRACTIONAL Tube to Female NPT pipe thread



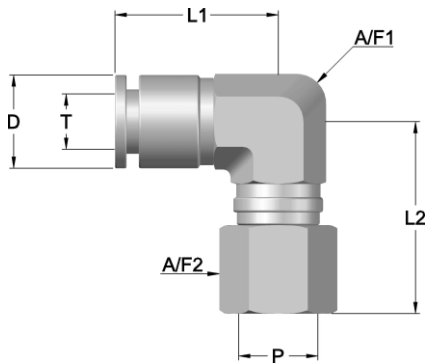
TUBE OD	PIPE THREAD	DIMENSIONS IN INCHES						SEALEXCEL PART NO.
		T	P	D	L1	L2	G	
3/16	1/8 NPT	0.42	1.23	0.72	0.24	1/2 X 20UN	11/16	PIFTFBC-187-125N
3/16	1/4 NPT	0.42	1.35	0.72	0.24	1/2 X 20UN	11/16	PIFTFBC-187-250N
1/4	1/8 NPT	0.49	1.25	0.74	0.24	9/16 X 20UN	3/4	PIFTFBC-250-125N
1/4	1/4 NPT	0.49	1.37	0.74	0.24	9/16 X 20UN	3/4	PIFTFBC-250-250N
1/4	3/8 NPT	0.49	1.37	0.74	0.24	9/16 X 20UN	13/16	PIFTFBC-250-375N
5/16	1/8 NPT	0.56	1.23	0.78	0.24	5/8 X 20UN	13/16	PIFTFBC-312-125N
5/16	1/4 NPT	0.56	1.41	0.78	0.24	5/8 X 20UN	13/16	PIFTFBC-312-250N
5/16	3/8 NPT	0.56	1.41	0.78	0.24	5/8 X 20UN	7/8	PIFTFBC-312-375N
3/8	1/8 NPT	0.63	1.37	0.96	0.32	3/4 X 20UN	15/16	PIFTFBC-375-125N
3/8	1/4 NPT	0.63	1.47	0.96	0.32	3/4 X 20UN	15/16	PIFTFBC-375-250N
3/8	3/8 NPT	0.63	1.58	0.96	0.32	3/4 X 20UN	15/16	PIFTFBC-375-375N
3/8	1/2 NPT	0.63	1.61	0.96	0.32	3/4 X 20UN	1-1/16	PIFTFBC-375-500N
1/2	1/4 NPT	0.78	1.52	0.97	0.40	7/8 X 20UN	1-1/16	PIFTFBC-500-250N
1/2	3/8 NPT	0.78	1.52	0.97	0.40	7/8 X 20UN	1-1/16	PIFTFBC-500-375N
1/2	1/2 NPT	0.78	1.78	0.97	0.40	7/8 X 20UN	1-1/16	PIFTFBC-500-500N
5/8	3/8 NPT	0.93	1.74	1.2	0.40	1" X 20UN	1-3/16	PIFTFBC-625-375N
5/8	1/2 NPT	0.93	1.83	1.2	0.40	1" X 20UN	1-3/16	PIFTFBC-625-500N

Dimensions are for reference only, subject to change without notice.

Fractional Tube to Female BSP/BSPT pipe thread are available on request.

PIF - Taper Female Swivel Elbow (PIFTFSE)

METRIC Tube to Female BSPT pipe thread



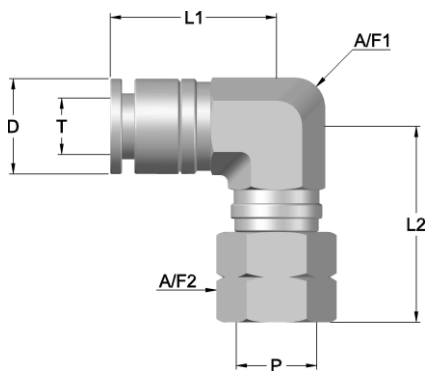
TUBE OD	PIPE THREAD	DIMENSIONS IN MILLIMETERS					SEALEXCEL PART NO.		
		T	P	D	L1	L2		A/F1	A/F2
4 mm	1/8 BSPT			10.0	19.8	25.6	10.0	13.0	PIFTFSE - 4 - 125RT
4 mm	1/4 BSPT			10.0	19.8	28.8	10.0	17.0	PIFTFSE - 4 - 250RT
6 mm	1/8 BSPT			12.4	21.5	27.0	12.0	13.0	PIFTFSE - 6 - 125RT
6 mm	1/4 BSPT			12.4	21.5	30.0	12.0	17.0	PIFTFSE - 6 - 250RT
6 mm	3/8 BSPT			12.4	21.5	30.8	12.0	20.6	PIFTFSE - 6 - 375RT
8 mm	1/8 BSPT			14.0	22.7	28.3	14.0	14.0	PIFTFSE - 8 - 125RT
8 mm	1/4 BSPT			14.0	22.7	31.0	14.0	17.0	PIFTFSE - 8 - 250RT
8 mm	3/8 BSPT			14.0	22.7	31.8	14.0	20.6	PIFTFSE - 8 - 375RT
8 mm	1/2 BSPT			14.0	22.7	35.6	14.0	27.0	PIFTFSE - 8 - 500RT
10 mm	1/8 BSPT			16.5	23.8	29.5	16.0	17.0	PIFTFSE - 10 - 125RT
10 mm	1/4 BSPT			16.5	23.8	32.5	16.0	17.0	PIFTFSE - 10 - 250RT
10 mm	3/8 BSPT			16.5	23.8	32.8	16.0	20.6	PIFTFSE - 10 - 375RT
10 mm	1/2 BSPT			16.5	23.8	36.5	16.0	27.0	PIFTFSE - 10 - 500RT
12 mm	1/4 BSPT			19.0	26.2	33.3	19.0	19.0	PIFTFSE - 12 - 250RT
12 mm	3/8 BSPT			19.0	26.2	34.8	19.0	20.6	PIFTFSE - 12 - 375RT
12 mm	1/2 BSPT			19.0	26.2	38.3	19.0	27.0	PIFTFSE - 12 - 500RT
14 mm	3/8 BSPT			21.8	30.3	37.4	22.0	22.0	PIFTFSE - 14 - 375RT
14 mm	1/2 BSPT			21.8	30.3	40.9	22.0	27.0	PIFTFSE - 14 - 500RT
16 mm	3/8 BSPT			23.3	31.8	38.7	24.0	27.0	PIFTFSE - 16 - 375RT
16 mm	1/2 BSPT			23.3	31.8	41.8	24.0	27.0	PIFTFSE - 16 - 500RT

Dimensions are for reference only, subject to change without notice.

Metric Tube to Female NPT pipe thread are available on request.

PIF - Taper Female Swivel Elbow (PIFTFSE)

FRACTIONAL Tube to Female NPT pipe thread



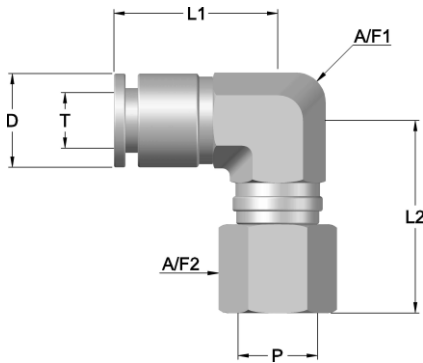
TUBE OD	PIPE THREAD	DIMENSIONS IN INCHES					SEALEXCEL PART NO.		
		T	P	D	L1	L2		A/F1	A/F2
3/16	1/8 NPT			0.42	0.78	1.03	0.39 (10mm)	1/2	PIFTFSE-187-125N
3/16	1/4 NPT			0.42	0.78	1.15	0.39 (10mm)	11/16	PIFTFSE-187-250N
1/4	1/8 NPT			0.49	0.85	1.07	0.47 (12mm)	1/2	PIFTFSE-250-125N
1/4	1/4 NPT			0.49	0.85	1.20	0.47 (12mm)	11/16	PIFTFSE-250-250N
1/4	3/8 NPT			0.49	0.85	1.21	0.47 (12mm)	13/16	PIFTFSE-250-375N
5/16	1/8 NPT			0.56	0.89	1.12	0.55 (14mm)	9/16	PIFTFSE-312-125N
5/16	1/4 NPT			0.56	0.89	1.24	0.55 (14mm)	11/16	PIFTFSE-312-250N
5/16	3/8 NPT			0.56	0.89	1.25	0.55 (14mm)	13/16	PIFTFSE-312-375N
5/16	1/2 NPT			0.56	0.89	1.41	0.55 (14mm)	1-1/16	PIFTFSE-312-500N
3/8	1/8 NPT			0.63	0.94	1.18	0.63 (16mm)	11/16	PIFTFSE-375-125N
3/8	1/4 NPT			0.63	0.94	1.30	0.63 (16mm)	11/16	PIFTFSE-375-250N
3/8	3/8 NPT			0.63	0.94	1.29	0.63 (16mm)	13/16	PIFTFSE-375-375N
3/8	1/2 NPT			0.63	0.94	1.46	0.63 (16mm)	1-1/16	PIFTFSE-375-500N
1/2	1/4 NPT			0.78	1.03	1.35	0.75 (19mm)	13/16	PIFTFSE-500-250N
1/2	3/8 NPT			0.78	1.03	1.37	0.75 (19mm)	13/16	PIFTFSE-500-375N
1/2	1/2 NPT			0.78	1.03	1.52	0.75 (19mm)	1-1/16	PIFTFSE-500-500N
5/8	3/8 NPT			0.93	1.25	1.52	0.94 (24mm)	15/16	PIFTFSE-625-375N
5/8	1/2 NPT			0.93	1.25	1.69	0.94 (24mm)	1-1/16	PIFTFSE-625-500N

Dimensions are for reference only, subject to change without notice.

Fractional Tube to Female BSP/BSPT pipe thread are available on request.

PIF - Parallel Female Swivel Elbow (PIFPFSE)

METRIC Tube to Female BSP pipe thread

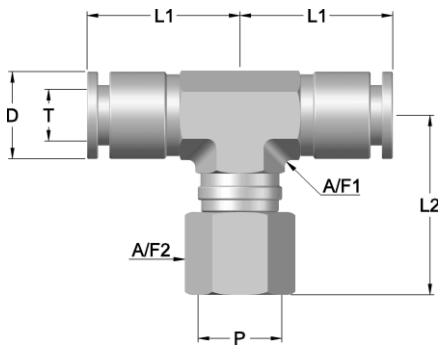


TUBE OD	PIPE THREAD	DIMENSIONS IN MILLIMETERS					SEALEXCEL PART NO.
		T	P	D	L1	L2	
4 mm	1/8 BSP	10.0	19.8	25.0	10.0	13.0	PIFPFSE - 4 - 125RG
4 mm	1/4 BSP	10.0	19.8	27.4	10.0	17.0	PIFPFSE - 4 - 250RG
6 mm	1/8 BSP	12.4	21.5	26.5	12.0	13.0	PIFPFSE - 6 - 125RG
6 mm	1/4 BSP	12.4	21.5	28.5	12.0	17.0	PIFPFSE - 6 - 250RG
6 mm	3/8 BSP	12.4	21.5	28.8	12.0	20.6	PIFPFSE - 6 - 375RG
8 mm	1/8 BSP	14.0	22.7	27.5	14.0	14.0	PIFPFSE - 8 - 125RG
8 mm	1/4 BSP	14.0	22.7	29.5	14.0	17.0	PIFPFSE - 8 - 250RG
8 mm	3/8 BSP	14.0	22.7	30.3	14.0	20.6	PIFPFSE - 8 - 375RG
8 mm	1/2 BSP	14.0	22.7	31.2	14.0	27.0	PIFPFSE - 8 - 500RG
10 mm	1/8 BSP	16.5	23.8	28.8	16.0	17.0	PIFPFSE - 10 - 125RG
10 mm	1/4 BSP	16.5	23.8	31.0	16.0	17.0	PIFPFSE - 10 - 250RG
10 mm	3/8 BSP	16.5	23.8	30.8	16.0	20.6	PIFPFSE - 10 - 375RG
10 mm	1/2 BSP	16.5	23.8	32.5	16.0	27.0	PIFPFSE - 10 - 500RG
12 mm	1/4 BSP	19.0	26.2	32.8	19.0	19.0	PIFPFSE - 12 - 250RG
12 mm	3/8 BSP	19.0	26.2	32.8	19.0	20.6	PIFPFSE - 12 - 375RG
12 mm	1/2 BSP	19.0	26.2	34.3	19.0	27.0	PIFPFSE - 12 - 500RG
14 mm	3/8 BSP	21.8	30.3	35.4	22.0	22.0	PIFPFSE - 14 - 375RG
14 mm	1/2 BSP	21.8	30.3	36.9	22.0	27.0	PIFPFSE - 14 - 500RG
16 mm	3/8 BSP	23.3	31.8	36.8	24.0	24.0	PIFPFSE - 16 - 375RG
16 mm	1/2 BSP	23.3	31.8	38.3	24.0	27.0	PIFPFSE - 16 - 500RG

Dimensions are for reference only, subject to change without notice.

PIF - Parallel Female Swivel Branch Tee (PIFPFSBT)

METRIC Tube to Female BSP pipe thread

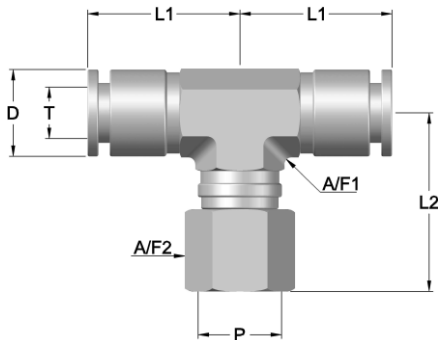


TUBE OD	PIPE THREAD	DIMENSIONS IN MILLIMETERS					SEALEXCEL PART NO.
		T	P	D	L1	L2	
4 mm	1/8 BSP	10.0	19.8	25.1	10.0	13.0	PIFPFSBT - 4 - 125RG
4 mm	1/4 BSP	10.0	19.8	27.4	10.0	17.0	PIFPFSBT - 4 - 250RG
6 mm	1/8 BSP	12.4	21.5	26.5	12.0	13.0	PIFPFSBT - 6 - 125RG
6 mm	1/4 BSP	12.4	21.5	28.5	12.0	17.0	PIFPFSBT - 6 - 250RG
6 mm	3/8 BSP	12.4	21.5	28.8	12.0	20.6	PIFPFSBT - 6 - 375RG
8 mm	1/8 BSP	14.0	22.7	27.5	14.0	14.0	PIFPFSBT - 8 - 125RG
8 mm	1/4 BSP	14.0	22.7	29.5	14.0	17.0	PIFPFSBT - 8 - 250RG
8 mm	3/8 BSP	14.0	22.7	30.3	14.0	20.6	PIFPFSBT - 8 - 375RG
8 mm	1/2 BSP	14.0	22.7	31.2	14.0	27.0	PIFPFSBT - 8 - 500RG
10 mm	1/8 BSP	16.5	23.8	28.8	16.0	17.0	PIFPFSBT - 10 - 125RG
10 mm	1/4 BSP	16.5	23.8	31.0	16.0	17.0	PIFPFSBT - 10 - 250RG
10 mm	3/8 BSP	16.5	23.8	30.8	16.0	20.6	PIFPFSBT - 10 - 375RG
10 mm	1/2 BSP	16.5	23.8	32.5	16.0	27.0	PIFPFSBT - 10 - 500RG
12 mm	1/4 BSP	19.0	26.2	32.8	19.0	19.0	PIFPFSBT - 12 - 250RG
12 mm	3/8 BSP	19.0	26.2	32.8	19.0	20.6	PIFPFSBT - 12 - 375RG
12 mm	1/2 BSP	19.0	26.2	34.3	19.0	27.0	PIFPFSBT - 12 - 500RG
14 mm	3/8 BSP	21.8	30.3	35.4	22.0	22.0	PIFPFSBT - 14 - 375RG
14 mm	1/2 BSP	21.8	30.3	36.9	22.0	27.0	PIFPFSBT - 14 - 500RG
16 mm	3/8 BSP	23.3	31.8	36.8	24.0	24.0	PIFPFSBT - 16 - 375RG
16 mm	1/2 BSP	23.3	31.8	38.3	24.0	27.0	PIFPFSBT - 16 - 500RG

Dimensions are for reference only, subject to change without notice.

PIF - Taper Female Swivel Branch Tee (PIFTFSBT)

METRIC Tube to Female BSPT pipe thread



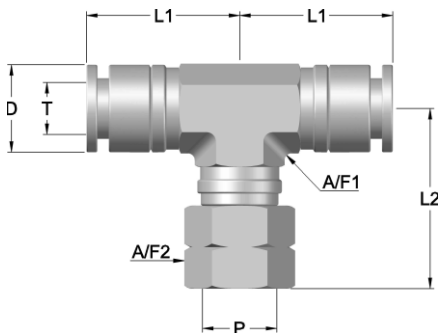
TUBE OD	PIPE THREAD	DIMENSIONS IN MILLIMETERS					SEALEXCEL PART NO.
		T	P	D	L1	L2	
4 mm	1/8 BSPT	10.0	19.8	25.6	10.0	13.0	PIFTFSBT - 4 - 125RT
4 mm	1/4 BSPT	10.0	19.8	28.8	10.0	17.0	PIFTFSBT - 4 - 250RT
6 mm	1/8 BSPT	12.4	21.5	27.0	12.0	13.0	PIFTFSBT - 6 - 125RT
6 mm	1/4 BSPT	12.4	21.5	30.0	12.0	17.0	PIFTFSBT - 6 - 250RT
6 mm	3/8 BSPT	12.4	21.5	30.8	12.0	20.6	PIFTFSBT - 6 - 375RT
8 mm	1/8 BSPT	14.0	22.7	28.3	14.0	14.0	PIFTFSBT - 8 - 125RT
8 mm	1/4 BSPT	14.0	22.7	31.0	14.0	17.0	PIFTFSBT - 8 - 250RT
8 mm	3/8 BSPT	14.0	22.7	31.8	14.0	20.6	PIFTFSBT - 8 - 375RT
8 mm	1/2 BSPT	14.0	22.7	35.6	14.0	27.0	PIFTFSBT - 8 - 500RT
10 mm	1/8 BSPT	16.5	23.8	29.5	16.0	17.0	PIFTFSBT - 10 - 125RT
10 mm	1/4 BSPT	16.5	23.8	32.5	16.0	17.0	PIFTFSBT - 10 - 250RT
10 mm	3/8 BSPT	16.5	23.8	32.8	16.0	20.6	PIFTFSBT - 10 - 375RT
10 mm	1/2 BSPT	16.5	23.8	36.5	16.0	27.0	PIFTFSBT - 10 - 500RT
12 mm	1/4 BSPT	19.0	26.2	33.3	19.0	19.0	PIFTFSBT - 12 - 250RT
12 mm	3/8 BSPT	19.0	26.2	34.8	19.0	20.6	PIFTFSBT - 12 - 375RT
12 mm	1/2 BSPT	19.0	26.2	38.3	19.0	27.0	PIFTFSBT - 12 - 500RT
14 mm	3/8 BSPT	21.8	30.3	37.4	22.0	22.0	PIFTFSBT - 14 - 375RT
14 mm	1/2 BSPT	21.8	30.3	40.9	22.0	27.0	PIFTFSBT - 14 - 500RT
16 mm	3/8 BSPT	23.3	31.8	38.7	24.0	24.0	PIFTFSBT - 16 - 375RT
16 mm	1/2 BSPT	23.3	31.8	41.8	24.0	27.0	PIFTFSBT - 16 - 500RT

Dimensions are for reference only, subject to change without notice.

Metric Tube to Female NPT pipe thread are available on request.

PIF - Taper Female Swivel Branch Tee (PIFTFSBT)

FRACTIONAL Tube to Female NPT pipe thread



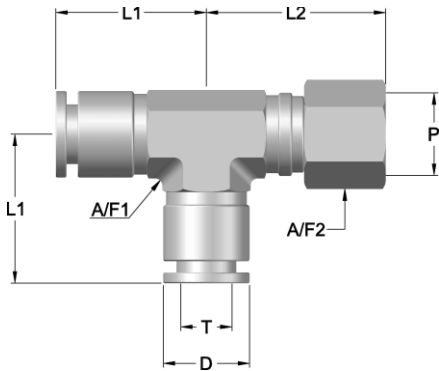
TUBE OD	PIPE THREAD	DIMENSIONS IN INCHES					SEALEXCEL PART NO.
		T	P	D	L1	L2	
3/16	1/8 NPT	0.42	0.78	1.03	0.39 (10mm)	1/2	PIFTFSBT-187-125N
3/16	1/4 NPT	0.42	0.78	1.15	0.39 (10mm)	11/16	PIFTFSBT-187-250N
1/4	1/8 NPT	0.49	0.85	1.07	0.47 (12mm)	1/2	PIFTFSBT-250-125N
1/4	1/4 NPT	0.49	0.85	1.20	0.47 (12mm)	11/16	PIFTFSBT-250-250N
1/4	3/8 NPT	0.49	0.85	1.21	0.47 (12mm)	13/16	PIFTFSBT-250-375N
5/16	1/8 NPT	0.56	0.89	1.12	0.55 (14mm)	9/16	PIFTFSBT-312-125N
5/16	1/4 NPT	0.56	0.89	1.24	0.55 (14mm)	11/16	PIFTFSBT-312-250N
5/16	3/8 NPT	0.56	0.89	1.25	0.55 (14mm)	13/16	PIFTFSBT-312-375N
5/16	1/2 NPT	0.56	0.89	1.41	0.55 (14mm)	1-1/16	PIFTFSBT-312-500N
3/8	1/8 NPT	0.63	0.94	1.18	0.63 (16mm)	11/16	PIFTMSBT-375-125N
3/8	1/4 NPT	0.63	0.94	1.30	0.63 (16mm)	11/16	PIFTFSBT-375-250N
3/8	3/8 NPT	0.63	0.94	1.29	0.63 (16mm)	13/16	PIFTFSBT-375-375N
3/8	1/2 NPT	0.63	0.94	1.46	0.63 (16mm)	1-1/16	PIFTFSBT-375-500N
1/2	1/4 NPT	0.78	1.03	1.35	0.75 (19mm)	13/16	PIFTFSBT-500-250N
1/2	3/8 NPT	0.78	1.03	1.37	0.75 (19mm)	13/16	PIFTFSBT-500-375N
1/2	1/2 NPT	0.78	1.03	1.52	0.75 (19mm)	1-1/16	PIFTFSBT-500-500N
5/8	3/8 NPT	0.93	1.25	1.52	0.94 (24mm)	15/16	PIFTFSBT-625-375N
5/8	1/2 NPT	0.93	1.25	1.69	0.94 (24mm)	1-1/16	PIFTMSBT-625-500N

Dimensions are for reference only, subject to change without notice.

Fractional Tube to Female BSP/BSPT pipe thread are available on request.

PIF - Taper Female Swivel Run Tee (PIFTFSRT)

METRIC Tube to Female BSPT pipe thread



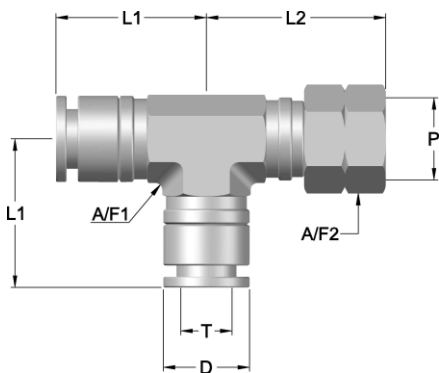
TUBE OD	PIPE THREAD	DIMENSIONS IN MILLIMETERS					SEALEXCEL PART NO.
		T	P	D	L1	L2	
4 mm	1/8 BSPT	10.0	19.8	25.6	10.0	13.0	PIFTFSRT - 4 - 125RT
4 mm	1/4 BSPT	10.0	19.8	28.8	10.0	17.0	PIFTFSRT - 4 - 250RT
6 mm	1/8 BSPT	12.4	21.5	27.0	12.0	13.0	PIFTFSRT - 6 - 125RT
6 mm	1/4 BSPT	12.4	21.5	30.0	12.0	17.0	PIFTFSRT - 6 - 250RT
6 mm	3/8 BSPT	12.4	21.5	30.8	12.0	20.6	PIFTFSRT - 6 - 375RT
8 mm	1/8 BSPT	14.0	22.7	28.3	14.0	14.0	PIFTFSRT - 8 - 125RT
8 mm	1/4 BSPT	14.0	22.7	31.0	14.0	17.0	PIFTFSRT - 8 - 250RT
8 mm	3/8 BSPT	14.0	22.7	31.8	14.0	20.6	PIFTFSRT - 8 - 375RT
8 mm	1/2 BSPT	14.0	22.7	35.6	14.0	27.0	PIFTFSRT - 8 - 500RT
10 mm	1/8 BSPT	16.5	23.8	29.5	16.0	17.0	PIFTFSRT - 10 - 125RT
10 mm	1/4 BSPT	16.5	23.8	32.5	16.0	17.0	PIFTFSRT - 10 - 250RT
10 mm	3/8 BSPT	16.5	23.8	32.8	16.0	20.6	PIFTFSRT - 10 - 375RT
10 mm	1/2 BSPT	16.5	23.8	36.5	16.0	27.0	PIFTFSRT - 10 - 500RT
12 mm	1/4 BSPT	19.0	26.2	33.3	19.0	19.0	PIFTFSRT - 12 - 250RT
12 mm	3/8 BSPT	19.0	26.2	34.8	19.0	20.6	PIFTFSRT - 12 - 375RT
12 mm	1/2 BSPT	19.0	26.2	38.3	19.0	27.0	PIFTFSRT - 12 - 500RT
14 mm	3/8 BSPT	21.8	30.3	37.4	22.0	22.0	PIFTFSRT - 14 - 375RT
14 mm	1/2 BSPT	21.8	30.3	40.9	22.0	27.0	PIFTFSRT - 14 - 500RT
16 mm	3/8 BSPT	23.3	31.8	38.7	24.0	24.0	PIFTFSRT - 16 - 375RT
16 mm	1/2 BSPT	23.3	31.8	41.8	24.0	27.0	PIFTFSRT - 16 - 500RT

Dimensions are for reference only, subject to change without notice.

Metric Tube to Female NPT pipe thread are available on request.

PIF - Taper Female Swivel Run Tee (PIFTFSRT)

FRACTIONAL Tube to Female NPT pipe thread



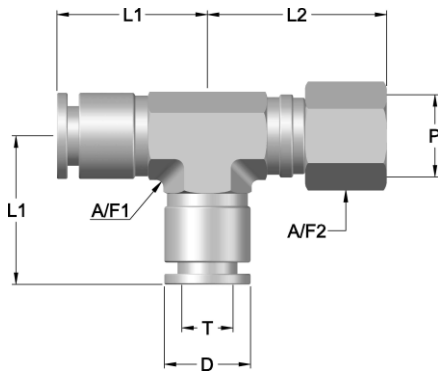
TUBE OD	PIPE THREAD	DIMENSIONS IN INCHES					SEALEXCEL PART NO.
		T	P	D	L1	L2	
3/16	1/8 NPT	0.42	0.78	1.03	0.39 (10mm)	1/2	PIFTFSRT-187-125N
3/16	1/4 NPT	0.42	0.78	1.15	0.39 (10mm)	11/16	PIFTFSRT-187-250N
1/4	1/8 NPT	0.49	0.85	1.07	0.47 (12mm)	1/2	PIFTFSRT-250-125N
1/4	1/4 NPT	0.49	0.85	1.20	0.47 (12mm)	11/16	PIFTFSRT-250-250N
1/4	3/8 NPT	0.49	0.85	1.21	0.47 (12mm)	13/16	PIFTFSRT-250-375N
5/16	1/8 NPT	0.56	0.89	1.12	0.55 (14mm)	9/16	PIFTFSRT-312-125N
5/16	1/4 NPT	0.56	0.89	1.24	0.55 (14mm)	11/16	PIFTFSRT-312-250N
5/16	3/8 NPT	0.56	0.89	1.25	0.55 (14mm)	13/16	PIFTFSRT-312-375N
5/16	1/2 NPT	0.56	0.89	1.41	0.55 (14mm)	1-1/16	PIFTFSRT-312-500N
3/8	1/8 NPT	0.63	0.94	1.18	0.63 (16mm)	11/16	PIFTFSRT-375-125N
3/8	1/4 NPT	0.63	0.94	1.30	0.63 (16mm)	11/16	PIFTFSRT-375-250N
3/8	3/8 NPT	0.63	0.94	1.29	0.63 (16mm)	13/16	PIFTFSRT-375-375N
3/8	1/2 NPT	0.63	0.94	1.46	0.63 (16mm)	1-1/16	PIFTFSRT-375-500N
1/2	1/4 NPT	0.78	1.03	1.35	0.75 (19mm)	13/16	PIFTFSRT-500-250N
1/2	3/8 NPT	0.78	1.03	1.37	0.75 (19mm)	13/16	PIFTFSRT-500-375N
1/2	1/2 NPT	0.78	1.03	1.52	0.75 (19mm)	1-1/16	PIFTFSRT-500-500N
5/8	3/8 NPT	0.93	1.25	1.52	0.94 (24mm)	15/16	PIFTFSRT-625-375N
5/8	1/2 NPT	0.93	1.25	1.69	0.94 (24mm)	1-1/16	PIFTFSRT-625-500N

Dimensions are for reference only, subject to change without notice.

Fractional Tube to Female BSP/BSPT pipe thread are available on request.

PIF - Parallel Female Swivel Run Tee (PIFPFSRT)

METRIC Tube to Female BSP pipe thread

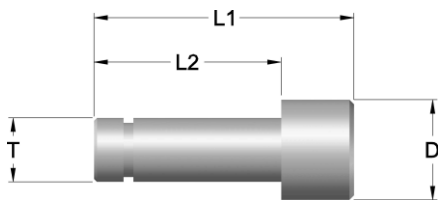


TUBE OD	PIPE THREAD	DIMENSIONS IN MILLIMETERS					SEALEXCEL PART NO.
		T	P	D	L1	L2	
4 mm	1/8 BSP	10.0	19.8	25.0	10.0	13.0	PIFPFSRT - 4 - 125RG
4 mm	1/4 BSP	10.0	19.8	27.4	10.0	18.0	PIFPFSRT - 4 - 250RG
6 mm	1/8 BSP	12.4	21.5	26.5	12.0	13.0	PIFPFSRT - 6 - 125RG
6 mm	1/4 BSP	12.4	21.5	28.5	12.0	18.0	PIFPFSRT - 6 - 250RG
6 mm	3/8 BSP	12.4	21.5	28.8	12.0	20.6	PIFPFSRT - 6 - 375RG
8 mm	1/8 BSP	14.0	22.7	27.5	14.0	14.0	PIFPFSRT - 8 - 125RG
8 mm	1/4 BSP	14.0	22.7	29.5	14.0	18.0	PIFPFSRT - 8 - 250RG
8 mm	3/8 BSP	14.0	22.7	30.3	14.0	20.6	PIFPFSRT - 8 - 375RG
8 mm	1/2 BSP	14.0	22.7	31.2	14.0	27.0	PIFPFSRT - 8 - 500RG
10 mm	1/8 BSP	16.5	23.8	28.8	16.0	18.0	PIFPFSRT - 10 - 125RG
10 mm	1/4 BSP	16.5	23.8	31.0	16.0	18.0	PIFPFSRT - 10 - 250RG
10 mm	3/8 BSP	16.5	23.8	30.8	16.0	20.6	PIFPFSRT - 10 - 375RG
10 mm	1/2 BSP	16.5	23.8	32.5	16.0	27.0	PIFPFSRT - 10 - 500RG
12 mm	1/4 BSP	19.0	26.2	32.8	19.0	19.0	PIFPFSRT - 12 - 250RG
12 mm	3/8 BSP	19.0	26.2	32.8	19.0	20.6	PIFPFSRT - 12 - 375RG
12 mm	1/2 BSP	19.0	26.2	34.3	19.0	27.0	PIFPFSRT - 12 - 500RG
14 mm	3/8 BSP	21.8	30.3	35.4	22.0	20.6	PIFPFSRT - 14 - 375RG
14 mm	1/2 BSP	21.8	30.3	36.9	22.0	27.0	PIFPFSRT - 14 - 500RG
16 mm	3/8 BSP	23.3	31.8	36.8	23.8	22.0	PIFPFSRT - 16 - 375RG
16 mm	1/2 BSP	23.3	31.8	38.3	23.8	27.0	PIFPFSRT - 16 - 500RG

Dimensions are for reference only, subject to change without notice.

PIF - Tube Plug (PIFTP)

METRIC Tube Plug

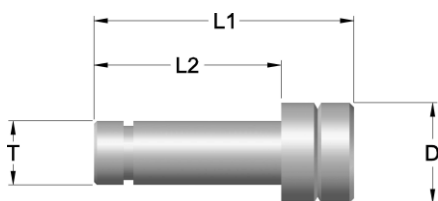


TUBE OD	DIMENSIONS IN MILLIMETERS			SEALEXCEL PART NO.
	T	D	L1	
4 mm	6.0	30.0	23.0	PIFTP - 4
6 mm	8.0	31.0	24.0	PIFTP - 6
8 mm	10.0	31.0	24.0	PIFTP - 8
10 mm	12.0	31.0	24.0	PIFTP - 10
12 mm	14.0	33.0	26.0	PIFTP - 12
14 mm	16.0	34.0	26.0	PIFTP - 14
16 mm	18.0	34.0	26.0	PIFTP - 16

Dimensions are for reference only, subject to change without notice.

PIF - Tube Plug (PIFTP)

FRACTIONAL Tube Plug

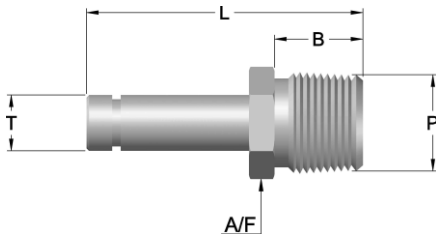


TUBE OD	DIMENSIONS IN INCHES			SEALEXCEL PART NO.
	T	D	L1	
3/16	0.28	1.18	0.91	PIFTP - 187
1/4	0.33	1.22	0.94	PIFTP - 250
5/16	0.40	1.22	0.94	PIFTP - 312
3/8	0.50	1.22	0.94	PIFTP - 375
1/2	0.63	1.30	1.02	PIFTP - 500
5/8	0.71	1.34	1.02	PIFTP - 625

Dimensions are for reference only, subject to change without notice.

PIF - Taper Male Adapter (PIFTMA)

METRIC Tube to Male BSPT pipe thread



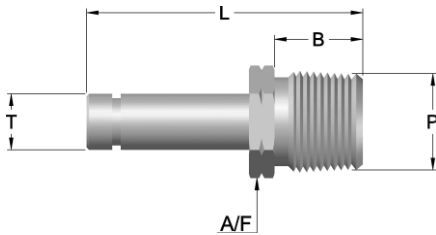
TUBE OD	PIPE THREAD	DIMENSIONS IN MILLIMETERS			SEALEXCEL PART NO.
		T	P	A/F	
4 mm	1/8 BSPT	7.5	35.3	11.0	PIFTMA - 4 - 125RT
4 mm	1/4 BSPT	11.0	39.0	14.0	PIFTMA - 4 - 250RT
6 mm	1/8 BSPT	7.5	36.3	11.0	PIFTMA - 6 - 125RT
6 mm	1/4 BSPT	11.0	40.0	14.0	PIFTMA - 6 - 250RT
6 mm	3/8 BSPT	11.5	40.8	17.0	PIFTMA - 6 - 375RT
8 mm	1/8 BSPT	7.5	36.3	11.0	PIFTMA - 8 - 125RT
8 mm	1/4 BSPT	11.0	40.0	14.0	PIFTMA - 8 - 250RT
8 mm	3/8 BSPT	11.5	40.8	17.0	PIFTMA - 8 - 375RT
8 mm	1/2 BSPT	15.0	44.8	22.0	PIFTMA - 8 - 500RT
10 mm	1/4 BSPT	11.0	41.0	14.0	PIFTMA - 10 - 250RT
10 mm	3/8 BSPT	11.5	41.8	17.0	PIFTMA - 10 - 375RT
10 mm	1/2 BSPT	15.0	46.0	22.0	PIFTMA - 10 - 500RT
12 mm	1/4 BSPT	11.0	43.0	14.0	PIFTMA - 12 - 250RT
12 mm	3/8 BSPT	11.5	43.8	17.0	PIFTMA - 12 - 375RT
12 mm	1/2 BSPT	15.0	47.8	22.0	PIFTMA - 12 - 500RT
14 mm	3/8 BSPT	11.5	45.0	17.0	PIFTMA - 14 - 375RT
14 mm	1/2 BSPT	15.0	49.0	22.0	PIFTMA - 14 - 500RT
16 mm	3/8 BSPT	11.5	45.0	19.0	PIFTMA - 16 - 375RT
16 mm	1/2 BSPT	15.0	49.0	22.0	PIFTMA - 16 - 500RT

Dimensions are for reference only, subject to change without notice.

Metric Tube to Male NPT pipe thread are available on request.

PIF - Taper Male Adapter (PIFTMA)

FRACTIONAL Tube to Male NPT pipe thread



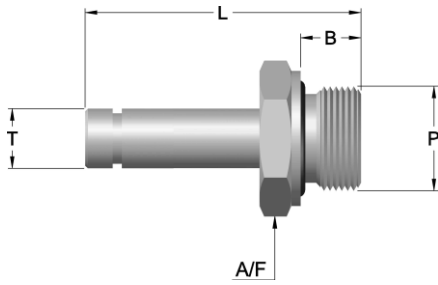
TUBE OD	PIPE THREAD	DIMENSIONS IN INCHES			SEALEXCEL PART NO.
		T	P	A/F	
3/16	1/8 NPT	0.33	1.43	7/16	PIFTMA - 187 - 125N
3/16	1/4 NPT	0.47	1.57	9/16	PIFTMA - 187 - 250N
1/4	1/8 NPT	0.33	1.47	7/16	PIFTMA - 250 - 125N
1/4	1/4 NPT	0.47	1.61	9/16	PIFTMA - 250 - 250N
1/4	3/8 NPT	0.47	1.62	11/16	PIFTMA - 250 - 375N
5/16	1/8 NPT	0.33	1.47	7/16	PIFTMA - 312 - 125N
5/16	1/4 NPT	0.47	1.61	9/16	PIFTMA - 312 - 250N
5/16	3/8 NPT	0.47	1.62	11/16	PIFTMA - 312 - 375N
5/16	1/2 NPT	0.63	1.80	7/8	PIFTMA - 312 - 500N
3/8	1/4 NPT	0.47	1.65	9/16	PIFTMA - 375 - 250N
3/8	3/8 NPT	0.47	1.67	11/16	PIFTMA - 375 - 375N
3/8	1/2 NPT	0.63	1.85	7/8	PIFTMA - 375 - 500N
1/2	1/4 NPT	0.47	1.73	9/16	PIFTMA - 500 - 250N
1/2	3/8 NPT	0.47	1.75	11/16	PIFTMA - 500 - 375N
1/2	1/2 NPT	0.63	1.92	7/8	PIFTMA - 500 - 500N
5/8	3/8 NPT	0.47	1.79	3/4	PIFTMA - 625 - 375N
5/8	1/2 NPT	0.63	1.97	7/8	PIFTMA - 625 - 500N

Dimensions are for reference only, subject to change without notice.

Fractional Tube to Male BSPT pipe thread are available on request.

PIF - Parallel Male Adapter (PIFPMA)

METRIC Tube to Male BSP pipe thread Connection

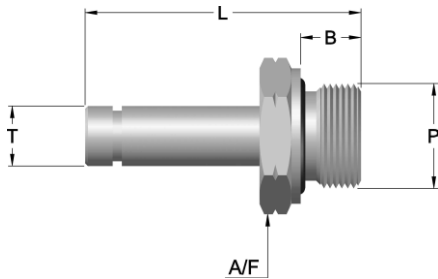


TUBE OD	PIPE THREAD	DIMENSIONS IN MILLIMETERS			SEALEXCEL PART NO.
		T	P	A/F	
4 mm	M5	5.0	34.0	11.0	PIFPMA - 4 - 5MEO
4 mm	M6	5.3	34.3	11.0	PIFPMA - 4 - 6MEO
4 mm	M7	5.3	34.3	13.0	PIFPMA - 4 - 7MEO
4 mm	M8	5.8	34.8	14.0	PIFPMA - 4 - 8MEO
4 mm	M10	5.8	34.8	14.0	PIFPMA - 4 - 10MEO
4 mm	1/8 BSP	5.8	35.3	14.0	PIFPMA - 4 - 125EO
4 mm	1/4 BSP	7.5	35.8	17.0	PIFPMA - 4 - 250EO
6 mm	M6	5.3	35.3	11.0	PIFPMA - 6 - 6MEO
6 mm	M7	5.3	35.3	13.0	PIFPMA - 6 - 7MEO
6 mm	M8	5.8	35.8	14.0	PIFPMA - 6 - 8MEO
6 mm	M10	5.8	35.8	14.0	PIFPMA - 6 - 10MEO
6 mm	1/8 BSP	5.8	35.8	14.0	PIFPMA - 6 - 125EO
6 mm	1/4 BSP	7.5	37.8	17.0	PIFPMA - 6 - 250EO
6 mm	3/8 BSP	7.5	37.8	17.0	PIFPMA - 6 - 375EO
8 mm	1/8 BSP	5.8	35.8	14.0	PIFPMA - 8 - 125EO
8 mm	1/4 BSP	7.5	37.8	17.0	PIFPMA - 8 - 250EO
8 mm	3/8 BSP	7.5	38.3	20.6	PIFPMA - 8 - 375EO
8 mm	1/2 BSP	10.0	41.6	27.0	PIFPMA - 8 - 500EO
10 mm	1/4 BSP	7.5	38.8	17.0	PIFPMA - 10 - 250EO
10 mm	3/8 BSP	7.5	39.3	20.6	PIFPMA - 10 - 375EO
10 mm	1/2 BSP	10.0	42.6	27.0	PIFPMA - 10 - 500EO
12 mm	1/4 BSP	7.5	40.8	17.0	PIFPMA - 12 - 250EO
12 mm	3/8 BSP	7.5	40.8	20.6	PIFPMA - 12 - 375EO
12 mm	1/2 BSP	10.0	44.6	27.0	PIFPMA - 12 - 500EO
14 mm	3/8 BSP	7.5	42.3	20.6	PIFPMA - 14 - 375EO
14 mm	1/2 BSP	10.0	45.6	27.0	PIFPMA - 14 - 500EO
16 mm	3/8 BSP	7.5	42.3	20.6	PIFPMA - 16 - 375EO
16 mm	1/2 BSP	10.0	45.6	27.0	PIFPMA - 16 - 500EO

Dimensions are for reference only, subject to change without notice.

PIF - Parallel Male Adapter (PIFPMA)

FRACTIONAL Tube to Male UNIVERSAL pipe thread



TUBE OD	PIPE THREAD	DIMENSIONS IN INCHES			SEALEXCEL PART NO.
		T	P	A/F	
3/16	1/8 UNI	0.23	35.3	9/16	PIFPMA - 187 - 125UNI
3/16	1/4 UNI	0.30	36.8	11/16	PIFPMA - 187 - 250UNI
1/4	1/8 UNI	0.23	35.8	9/16	PIFPMA - 250 - 125UNI
1/4	1/4 UNI	0.30	37.8	11/16	PIFPMA - 250 - 250UNI
1/4	3/8 UNI	0.30	37.8	13/16	PIFPMA - 250 - 375UNI
5/16	1/8 UNI	0.23	35.8	9/16	PIFPMA - 312 - 125UNI
5/16	1/4 UNI	0.30	37.8	11/16	PIFPMA - 312 - 250UNI
5/16	3/8 UNI	0.30	38.3	13/16	PIFPMA - 312 - 375UNI
5/16	1/2 UNI	0.39	41.6	1-1/16	PIFPMA - 312 - 500UNI
3/8	1/4 UNI	0.23	38.8	11/16	PIFPMA - 375 - 250UNI
3/8	3/8 UNI	0.30	39.3	13/16	PIFPMA - 375 - 375UNI
3/8	1/2 UNI	0.30	42.6	1-1/16	PIFPMA - 375 - 500UNI
1/2	1/4 UNI	0.30	40.8	11/16	PIFPMA - 500 - 250UNI
1/2	3/8 UNI	0.30	40.8	13/16	PIFPMA - 500 - 375UNI
1/2	1/2 UNI	0.39	44.6	1-1/16	PIFPMA - 500 - 500UNI
5/8	3/8 UNI	0.30	42.3	13/16	PIFPMA - 625 - 375UNI
5/8	1/2 UNI	0.39	45.6	1-1/16	PIFPMA - 625 - 500UNI

Dimensions are for reference only, subject to change without notice.

Fractional Tube to Male BSP pipe thread are available on request.



Automation Specially by Pneumatic is rapidly increasing in the process of Industrial growth and transformation.

Considering the growing demand for Stainless Steel Pneumatic products in aggressive environments and corrosive fluids. SEALEXCEL has designed, developed and manufactured Stainless Steel Fittings and Valves to meet the requirement of Pneumatic Applications.

These products are most suitable in aggressive and corrosive environments which are generally used in chemicals, Food, Packaging, Printing Industries etc.