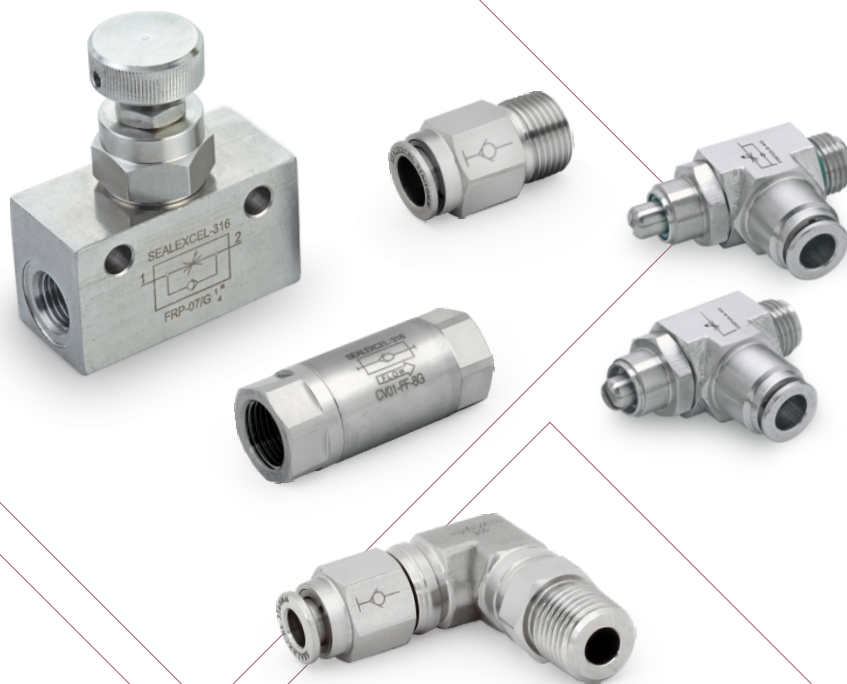


STAINLESS STEEL FLOW CONTROL REGULATOR & CHECK VALVES

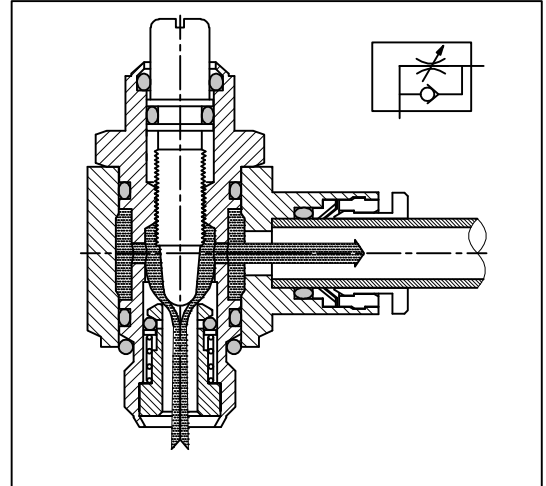


SEALEXCEL® Stainless Steel Flow control regulators, Non- Return Valves and Quick-Exchange Valves have been carefully designed and manufactured to meet the requirements of low pressure Fluid and Pneumatic applications and are most suitable for Chemical, Food, Pharmaceutical, Packaging Industries etc. in adverse conditions and aggressive environments.

Flow Control Regulators

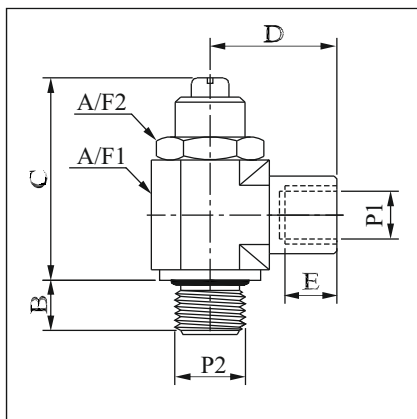
These Regulators are used to control the speed of a Pneumatic Cylinder or the speed of Food Fluid carried in aggressive environments or to high mechanical or chemical constraints.

MODEL : FRP-03 (One way adjustment) & FRP-05 (Bi-Directional)



Operating Parameters

Available Size	Pipe thread : 1/8" to 1/2" Tube OD : Metric - 4mm to 12mm Fractional - 3/16" to 1/2"
Pressure rating	up to 10 bar
Temperature rating	up to 120°C
End Connection	Tube OD/BSP/NPT/UNI Straight Thread



FRP-03/FRP-05 with threaded fittings Metric & BSP Parallel



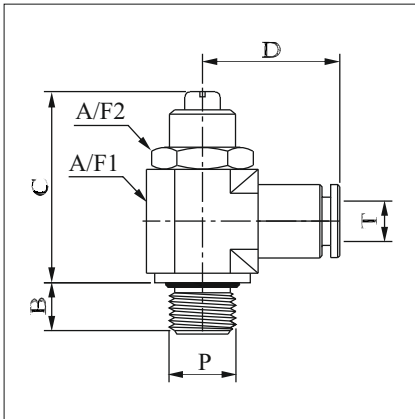
Male / Female Pipe Thread		DIMENSIONS IN MILLIMETERS / INCHES						SEALEXCEL PART NO.	SEALEXCEL PART NO.
P1	P2	B	C	D	E	A/F1	A/F2		
M5	M5	4.0	24.0	11.0	6.0	11.0	9.5	FRP03-5M	FRP05-5M
1/8 BSP	1/8 BSP	6.0	38.0	20.0	8.0	14.3	14.3	FRP03-2G	FRP05-2G
1/4 BSP	1/4 BSP	8.0	43.0	25.0	12.0	19.0	17.4	FRP03-4G	FRP05-4G
3/8 BSP	3/8 BSP	8.0	51.0	28.0	12.0	22.0	20.6	FRP03-6G	FRP05-6G
1/2 BSP	1/2 BSP	10.0	57.0	31.0	15.0	27.0	24.0	FRP03-8G	FRP05-8G

FRP-03/FRP-05 with Female NPT to Male UNI thread for BSP, BSPT and NPT connections



Female Pipe Thread	Male Pipe Thread	DIMENSIONS IN MILLIMETERS / INCHES						SEALEXCEL PART NO.	SEALEXCEL PART NO.
P1	P2	B	C	D	E	A/F1	A/F2		
1/8 NPT	1/8 UNI	5.8	38.0	22.0	10.0	9/16	9/16	FRP03-2N-2UNI	FRP05-2N-2UNI
1/4 NPT	1/4 UNI	7.5	43.0	27.0	14.0	3/4	11/16	FRP03-4N-4UNI	FRP05-4N-4UNI
3/8 NPT	3/8 UNI	7.5	51.0	30.0	14.0	7/8	13/16	FRP03-6N-6UNI	FRP05-6N-6UNI
1/2 NPT	1/2 UNI	10.0	57.0	35.0	19.0	1-1/16	15/16	FRP03-8N-8UNI	FRP05-8N-8UNI

Dimensions are for reference only, subject to change without notice



FRP-03/FRP-05 with tube to thread Fittings BSP Parallel



TUBE OD	PIPE THREAD	DIMENSIONS IN MILLIMETERS / INCHES					SEALEXCEL PART NO.	SEALEXCEL PART NO.
		B	C	D	A/F 1	A/F2		
6mm	1/8 BSP	6.0	38.0	24.0	14.3	14.3	FRP03-6-2G	FRP05-6-2G
6mm	1/4 BSP	8.0	43.0	27.0	19.0	17.4	FRP03-6-4G	FRP05-6-4G
8mm	1/8 BSP	6.0	38.0	24.0	14.3	14.3	FRP03-8-2G	FRP05-8-2G
8mm	1/4 BSP	8.0	43.0	27.0	19.0	17.4	FRP03-8-4G	FRP05-8-4G
10mm	1/4 BSP	8.0	43.0	27.0	19.0	17.4	FRP03-10-4G	FRP05-10-4G
10mm	3/8 BSP	8.0	51.0	31.0	22.0	20.6	FRP03-10-6G	FRP05-10-6G
12mm	3/8 BSP	8.0	51.0	31.0	22.0	20.6	FRP03-12-6G	FRP05-12-6G
12mm	1/2 BSP	10.0	57.0	33.0	27.0	24.0	FRP03-12-8G	FRP05-12-8G

FRP-03/FRP-05 with Tube to UNI thread for BSP, BSPT and NPT connection



TUBE OD	PIPE THREAD	DIMENSIONS IN MILLIMETERS / INCHES					SEALEXCEL PART NO.	SEALEXCEL PART NO.
		B	C	D	A/F 1	A/F2		
1/4	1/8 UNI	5.8	38.0	24.0	9/16	9/16	FRP03-250-2UNI	FRP05-250-2UNI
1/4	1/4 UNI	7.5	43.0	27.0	3/4	11/16	FRP03-250-4UNI	FRP05-250-4UNI
5/16	1/8 UNI	5.8	38.0	24.0	9/16	9/16	FRP03-312-2UNI	FRP05-312-2UNI
5/16	1/4 UNI	7.5	43.0	27.0	3/4	11/16	FRP03-312-4UNI	FRP05-312-4UNI
3/8	1/4 UNI	7.5	43.0	27.0	3/4	11/16	FRP03-375-4UNI	FRP05-375-4UNI
3/8	3/8 UNI	7.5	51.0	31.0	7/8	13/16	FRP03-375-6UNI	FRP05-375-6UNI
1/2	3/8 UNI	7.5	51.0	31.0	7/8	13/16	FRP03-500-6UNI	FRP05-500-6UNI
1/2	1/2 UNI	10.0	57.0	34.0	1-1/16	15/16	FRP03-500-8UNI	FRP05-500-8UNI

Bar Stock Body Flow Control Regulators

MODEL : FRP-07 (One way adjustment)

Operating Parameters

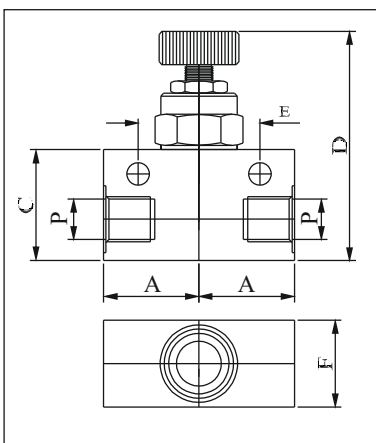
Available Size	1/8" to 1/2" pipe thread
Pressure rating	up to 16 bar
Temperature rating	up to 120°C
End Connection	BSP/BSPT/NPT/SAE Straight Thread

MODEL : FRP-09 (Bi-Directional)

Operating Parameters

Available Size	1/8" to 1/2" pipe thread
Pressure rating	up to 40 bar
Temperature rating	up to 120°C
End Connection	BSP/BSPT/NPT/SAE Straight Thread

FLOW CONTROL REGULATOR MODEL : FRP07 and FRP09 IN LINE



Pipe thread	DIMENSIONS IN MILLIMETERS					SEALEXCEL PART NO.	SEALEXCEL PART NO.
	A	C	D max.	E	F		
1/8 BSP	16.5	22.0	52.0	23.8	16.0	FRP07-2G	FRP09-2G
1/4 BSP	27.5	32.0	75.0	35.0	25.0	FRP07-4G	FRP09-4G
3/8 BSP	27.5	32.0	75.0	35.0	25.0	FRP07-6G	FRP09-6G
1/2 BSP	34.0	40.0	92.0	48.5	30.0	FRP07-8G	FRP09-8G
1/8 NPT	17.5	22.0	52.0	23.8	16.0	FRP07-2N	FRP09-2N
1/4 NPT	27.5	32.0	75.0	35.0	25.0	FRP07-4N	FRP09-4N
3/8 NPT	27.5	32.0	75.0	35.0	25.0	FRP07-6N	FRP09-6N
1/2 NPT	34.0	40.0	92.0	48.5	30.0	FRP07-8N	FRP09-8N

BSPT Pipe threads are available on request.

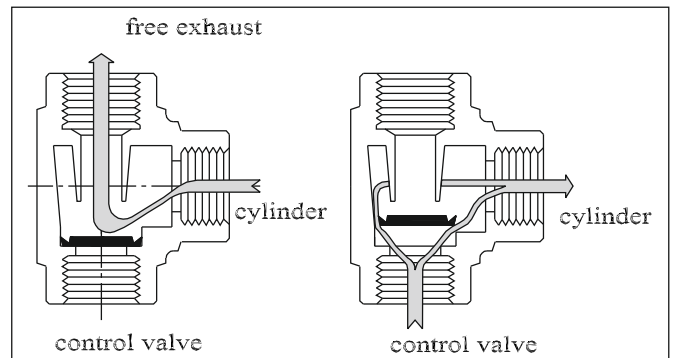
Dimensions are for reference only, subject to change without notice.

Stainless Steel Quick Exhaust Valves

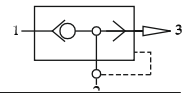
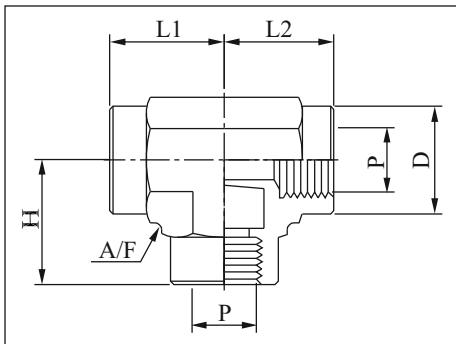
It allows direct exhaust of compressed Air due to increase of cylinder rod displacement speed, this result in reductions of cycle time.

Operating Parameters

Available Size	1/8" to 1" pipe thread
Pressure rating	up to 10 bar
Temperature rating	up to 120°C
Sealing Material	Viton®
End connections	BSP/BSPT/NPT pipe threads



Quick Exhaust valves - QSVP



Pipe thread	DIMENSIONS IN MILLIMETERS					SEALEXCEL PART NO.
P	D	H	L1	L2	A/F	
1/8 BSP	21.0	23.0	23.0	18.7	22	QSVP-2G
1/4 BSP	21.0	24.0	24.0	18.7	22	QSVP-4G
3/8 BSP	25.8	26.0	26.0	21.5	27	QSVP-6G
1/2 BSP	31.0	34.0	34.0	25.7	32	QSVP-8G
3/4 BSP	44.0	42.0	44.0	35.0	46	QSVP-12G
1" BSP	44.0	42.0	44.0	35.0	46	QSVP-16G
1/8 NPT	21.0	23.0	23.0	18.7	22	QSVP-2N
1/4 NPT	21.0	25.5	25.5	19.7	22	QSVP-4N
3/8 NPT	25.8	28.0	28.0	21.5	27	QSVP-6N
1/2 NPT	31.0	36.0	36.0	27.8	32	QSVP-8N
3/4 NPT	44.0	42.0	44.0	35.0	46	QSVP-12N
1 NPT	44.0	46.0	48.0	35.0	46	QSVP-16N

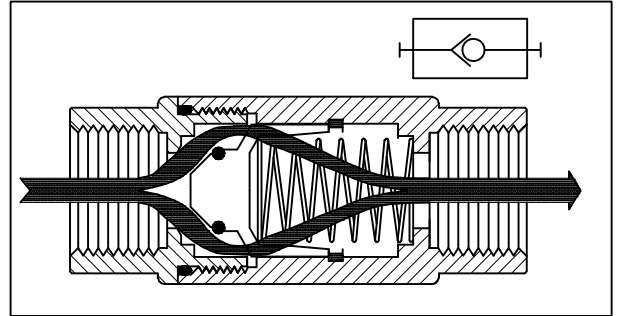
BSPT Pipe threads are available on request.

STAINLESS STEEL CHECK VALVES SERIES CV01 are of compact and precise in design to provide single direction flow.

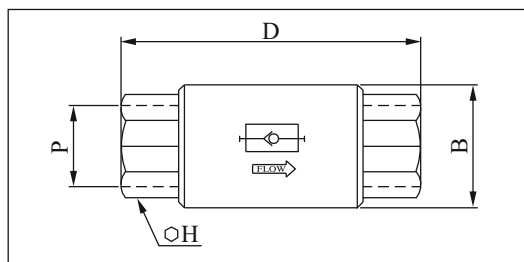
OPERATION: Stainless Steel Check Valves shut the fluid passage when the pressure differences is below 0.25 Bar.

OPERATING PARAMETERS

Available size	1/8" to 1" pipe thread
Pressure rating	0.5 to 40 bar
Temperature rating	up to 180°C
End Connections	BSP/BSPT/NPT/SAE straight thread

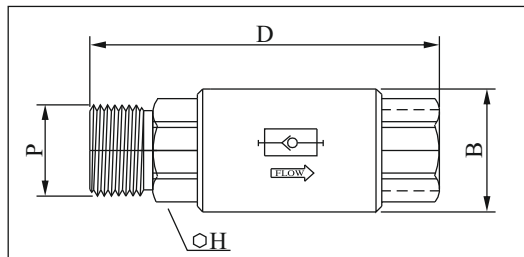


CV01-FF unidirectional, female to female BSP parallel



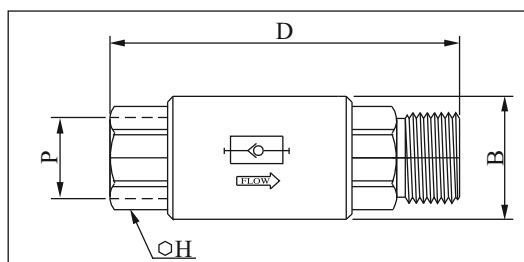
Pipe thread P	DIMENSIONS IN MILLIMETERS			SEALEXCEL PART NO.
	B	D	H	
1/8" BSP	22.0	50.0	17.0	CV01-FF-2G
1/4" BSP	22.0	50.0	17.0	CV01-FF-4G
3/8" BSP	30.0	67.0	22.0	CV01-FF-6G
1/2" BSP	30.0	71.0	24.0	CV01-FF-8G
3/4" BSP	35.0	78.0	32.0	CV01-FF-12G
1" BSP	42.0	90.0	38.0	CV01-FF-16G

CV01-MF unidirectional, male to female BSP parallel



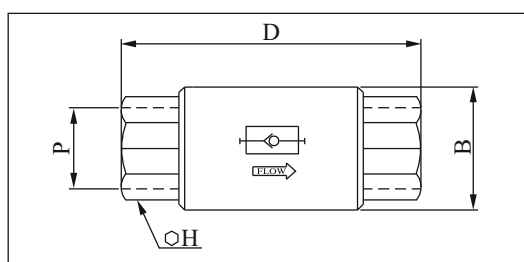
Pipe thread P	DIMENSIONS IN MILLIMETERS			SEALEXCEL PART NO.
	B	D	H	
1/8" BSP	22.0	56.0	17.0	CV01-MF-2G
1/4" BSP	22.0	58.0	17.0	CV01-MF-4G
3/8" BSP	30.0	75.0	22.0	CV01-MF-6G
1/2" BSP	30.0	79.0	24.0	CV01-MF-8G
3/4" BSP	35.0	87.0	32.0	CV01-MF-12G
1" BSP	42.0	102.0	38.0	CV01-MF-16G

CV01-FM unidirectional, female to male BSP parallel



Pipe thread P	DIMENSIONS IN MILLIMETERS			SEALEXCEL PART NO.
	B	D	H	
1/8" BSP	22.0	56.0	17.0	CV01-FM-2G
1/4" BSP	22.0	58.0	17.0	CV01-FM-4G
3/8" BSP	30.0	75.0	22.0	CV01-FM-6G
1/2" BSP	30.0	79.0	24.0	CV01-FM-8G
3/4" BSP	35.0	87.0	32.0	CV01-FM-12G
1" BSP	42.0	102.0	38.0	CV01-FM-16G

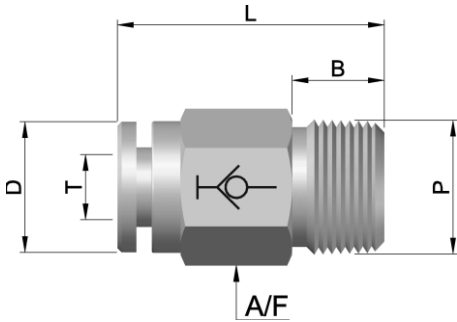
CV01-FF unidirectional, female to female NPT



Pipe thread P	DIMENSIONS IN MILLIMETERS			SEALEXCEL PART NO.
	B	D	H	
1/8" NPT	22.0	50.0	17.0	CV01-FF-2N
1/4" NPT	22.0	50.0	17.0	CV01-FF-4N
3/8" NPT	30.0	67.0	22.0	CV01-FF-6N
1/2" NPT	30.0	71.0	24.0	CV01-FF-8N

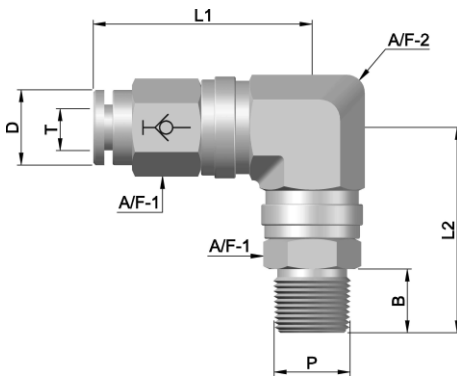
Note : Pipe Thread BSPT, SAE Straight thread are available on request. Dimensions are for reference only, subject to change without notice.

PIF-TAPER MALE CONNECTOR WITH CHECK VALVE



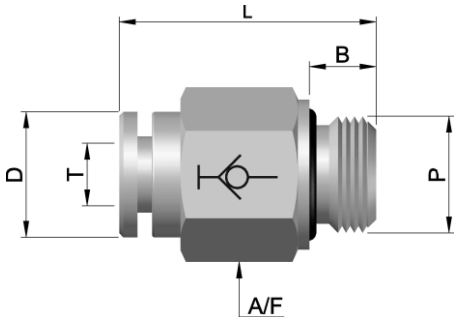
TUBE OD	PIPE THREAD	DIMENSIONS IN MILLIMETERS / INCHES				SEALEXCEL PART NO.
		B	D	L	A/F	
6mm	1/8 BSPT	7.5	12.4	26.2	13.0	PIF-CVTMC-6-2RT
6mm	1/4 BSPT	11.0	12.4	29.3	14.0	PIF-CVTMC-6-4RT
8mm	1/8 BSPT	7.5	14.0	33.6	14.0	PIF-CVTMC-8-2RT
8mm	1/4 BSPT	11.0	14.0	30.4	14.0	PIF-CVTMC-8-4RT
10mm	3/8 BSPT	11.5	16.5	31.8	17.0	PIF-CVTMC-10-6RT
3/16"	1/8 NPT	8.5	10.7	25.0	7/16	PIF-CVTMC-187-2N
1/4"	1/8 NPT	8.5	12.5	26.2	1/2	PIF-CVTMC-250-2N
1/4"	1/4 NPT	12.0	12.5	29.3	9/16	PIF-CVTMC-250-4N
5/16"	1/8 NPT	8.5	14.0	33.6	9/16	PIF-CVTMC-312-2N
5/16"	1/4 NPT	12.0	14.0	30.4	9/16	PIF-CVTMC-312-4N
3/8"	3/8 NPT	12.0	16.0	31.8	11/16	PIF-CVTMC-375-6N

PIF-TAPER MALE SWIVEL ELBOW WITH CHECK VALVE



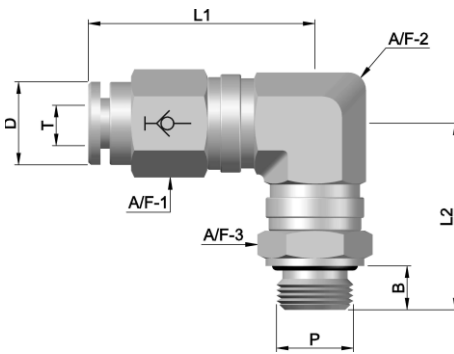
TUBE OD	PIPE THREAD	DIMENSIONS IN MILLIMETERS / INCHES						SEALEXCEL PART NO.
		B	D	L1	L2	A/F1	A/F2	
6mm	1/8 BSPT	7.5	12.4	31.6	29.3	14.0	14.0	PIF-CVTMSE-6-2RT
6mm	1/4 BSPT	11.0	12.4	31.6	33.0	14.0	14.0	PIF-CVTMSE-6-4RT
8mm	1/8 BSPT	7.5	14.0	36.7	30.8	16.0	16.0	PIF-CVTMSE-8-2RT
8mm	1/4 BSPT	11.0	14.0	36.7	34.6	16.0	16.0	PIF-CVTMSE-8-4RT
10mm	3/8 BSPT	11.5	16.5	38.5	37.3	19.0	19.0	PIF-CVTMSE-10-6RT
3/16"	1/8 NPT	8.5	10.7	29.7	29.2	1/2	0.47 (12mm)	PIF-CVTMSE-187-2N
1/4"	1/8 NPT	8.5	12.5	31.6	30.3	9/16	0.55 (14mm)	PIF-CVTMSE-250-2N
1/4"	1/4 NPT	12.0	12.5	31.6	34.0	9/16	0.55 (14mm)	PIF-CVTMSE-250-4N
5/16"	1/8 NPT	8.5	14.0	36.7	31.8	5/8	0.63 (16mm)	PIF-CVTMSE-312-2N
5/16"	1/4 NPT	12.0	14.0	36.7	35.6	5/8	0.63 (16mm)	PIF-CVTMSE-312-4N
3/8"	3/8 NPT	12.0	16.0	38.5	38.3	3/4	0.75 (19mm)	PIF-CVTMSE-375-6N

PIF-PARALLEL MALE CONNECTOR WTH CHECK VALVE



TUBE OD	PIPE THREAD	DIMENSIONS IN MILLIMETERS / INCHES				SEALEXCEL PART NO.
		T	P	B	D	
6mm	1/8 BSP	5.8	12.4	26.2	14.0	PIF-CVPMC-6-2EO
6mm	1/4 BSP	7.5	12.4	29.3	17.0	PIF-CVPMC-6-4EO
8mm	1/8 BSP	5.8	14.0	33.6	14.0	PIF-CVPMC-8-2EO
8mm	1/4 BSP	7.5	14.0	30.4	17.0	PIF-CVPMC-8-4EO
10mm	3/8 BSP	7.5	16.5	31.8	20.6	PIF-CVPMC-10-6EO
3/16"	1/8 UNI	5.8	10.7	25.0	9/16	PIF-CVPMC-187-2UNI
1/4"	1/8 UNI	5.8	12.5	26.2	9/16	PIF-CVPMC-250-2UNI
1/4"	1/4 UNI	7.5	12.5	29.3	11/16	PIF-CVPMC-250-4UNI
5/16"	1/8 UNI	5.8	14.0	33.6	9/16	PIF-CVPMC-312-2UNI
5/16"	1/4 UNI	7.5	14.0	30.4	11/16	PIF-CVPMC-312-4UNI
3/8"	3/8 UNI	7.5	16.0	31.8	13/16	PIF-CVPMC-375-6UNI

PIF-PARALLEL MALE SWIVEL ELBOW WTH CHECK VALVE



TUBE OD	PIPE THREAD	DIMENSIONS IN MILLIMETERS / INCHES							SEALEXCEL PART NO.
		T	P	B	D	L1	L2	A/F1	
6mm	1/8 BSP	5.8	12.4	31.6	28.6	14.0	14.0	14.0	PIF-CVPMSE-6-125EO
6mm	1/4 BSP	7.5	12.4	31.6	30.5	14.0	14.0	17.0	PIF-CVPMSE-6-250EO
8mm	1/8 BSP	5.8	14.0	36.7	30.3	16.0	16.0	14.0	PIF-CVPMSE-8-125EO
8mm	1/4 BSP	7.5	14.0	36.7	32.5	16.0	16.0	17.0	PIF-CVPMSE-8-250EO
10mm	3/8 BSP	7.5	16.5	38.5	34.3	19.0	19.0	20.6	PIF-CVPMSE-10-375EO
3/16"	1/8 UNI	5.8	10.7	29.7	27.6	1/2	0.47 (12mm)	9/16	PIF-CVPMSE-187-125UNI
1/4"	1/8 UNI	5.8	12.5	31.6	28.6	9/16	0.55 (14mm)	9/16	PIF-CVPMSE-250-125UNI
1/4"	1/4 UNI	7.5	12.5	31.6	30.5	9/16	0.55 (14mm)	11/16	PIF-CVPMSE-250-250UNI
5/16"	1/8 UNI	5.8	14.0	36.7	30.5	5/8	0.63 (16mm)	9/16	PIF-CVPMSE-312-125UNI
5/16"	1/4 UNI	7.5	14.0	36.7	32.5	5/8	0.63 (16mm)	11/16	PIF-CVPMSE-312-250UNI
3/8"	3/8 UNI	7.5	16.0	38.5	34.3	3/4	0.75 (19mm)	13/16	PIF-CVPMSE-375-375UNI



*SEALEXCEL® A Cost Effective Source For
World Class Consistent Quality, Reliability
And High Performance Fittings And Valves
For It's Customer's*

A TRUE PARTNER