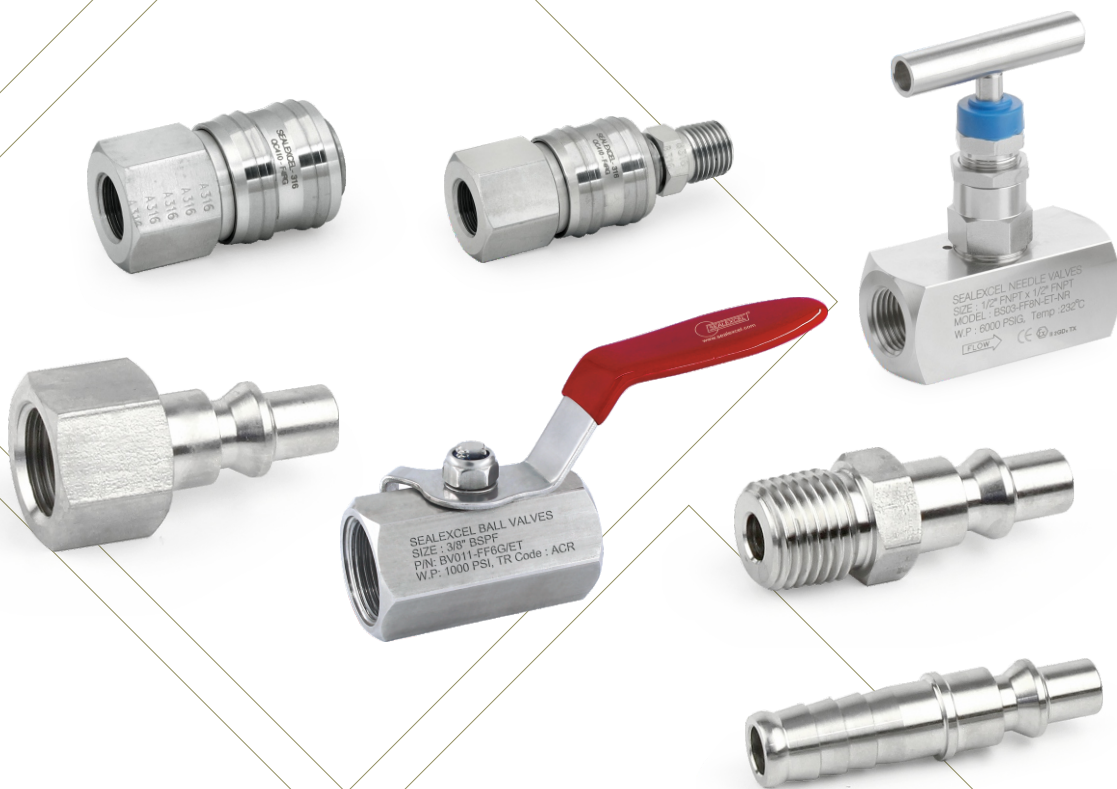


# STAINLESS STEEL QUICK CONNECT COUPLINGS & BALL VALVES



## Designs

SEALEXCEL® Stainless Steel Single Valve Quick Connect Couplings have been carefully designed and manufactured to very stringent tolerances under rigid quality control procedures approve to ISO 9001 to provide zero leak connections.

## Features

- Robust in construction
- Easy for manual connection and disconnection
- No tools required for connection and disconnection
- Reliable leak tight Sealing System
- Durable pin-locking mechanism assures reliable Connection
- Valves guide positively aligns valves with seat to prevent leakage
- Available with nominal flow passage size 2.5mm, 5mm, and 7.5mm.
- Available as a standard in a SS316 construction with Fluorocarbon 'O' Ring.

## Applications

SEALEXCEL® Stainless Steel Single Valve Quick Connect Couplings are resistance to aggressive environments and corrosive fluids etc. and are generally used in many application across a wide sector of industries such as

- Pneumatic Control
- Air Supply to pneumatic machines
- Automation devices
- Robotics
- Portable Equipment (Screw-driving & Drilling machines etc.)
- Machines or equipments with a high air flow rate (Jacks, Pneumatics Wrenches, Compressors etc.)
- Laboratories (Medical, Pharmaceutical etc.)
- Coachwork, Paint shops etc.
- Instrumentation

## Operating Parameters

Pressure : Up to 290° PSI (20 bar)

Temperature : Up to 150°C

## ORDERING INFORMATION

The part number describes the complete Assembly of Quick connect Coupling without Plug.

**Example:** QC410-25-2FRG/EV

QC410	25	2	FRG	E	V
Series of Coupling	Flow Passage	Size of pipe thread	Type of thread	Material	'O' Ring
QC410	2.5 mm	1/8"	BSP Female	SS316	Viton

## For Plugs

**Example:** P410-25-2FRG/E

P410	25	2	FRG	E
Series of Plug	Flow Passage	Size of pipe thread	Type of thread	Material
P410	2.5 mm	1/8"	BSP Female	SS316

## PIPE THREAD SIZE CODE DESCRIPTION

Size	Code
1/8	2
1/4	4
3/8	6
1/2	8

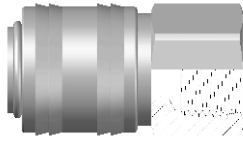
## THREAD CODE DESCRIPTION

Type of Thread	Code
BSPT-Male	MRT
BSPT-Female	FRT
Hose Barb	HOSE
NPT-Male	MN
NPT-Female	FN
BSP-Female	FRG

## MATERIAL CODE DESCRIPTION

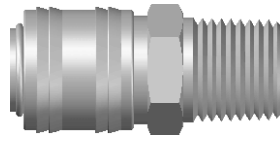
Material	Code
SS316	E
Viton	V
Buna	N

**Female Coupler,  
 BSP, BSPT, and NPT pipe thread**



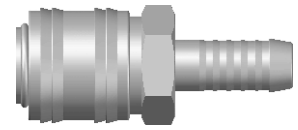
Page 98

**Male Coupler,  
 BSPT and NPT pipe thread**



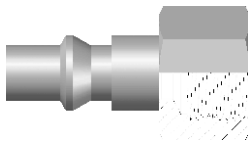
Page 98

**Hose Barb coupler,  
 Metric and Fractional Hose**



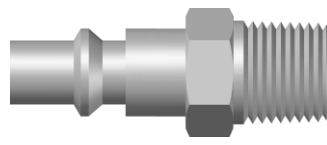
Page 99

**Female Plug,  
 BSP, BSPT and NPT Pipe Thread**



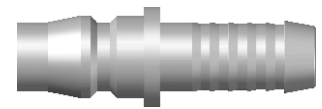
Page 100

**MALE PLUG,  
 BSPT and NPT Pipe Thread**



Page 100

**Plug Hose Barb,  
 Metric and Fractional Hose**



Page 101

**Low/Medium Pressure  
 Bar Stock Body 2/3 Way Ball Valves**



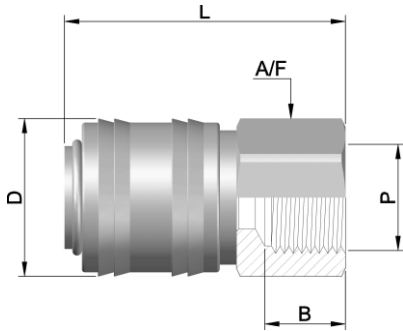
Page 102

**Needle Valves**



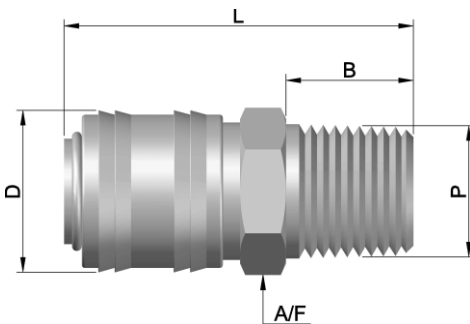
Page 104

## Female Coupler BSP, BSPT, and NPT pipe thread



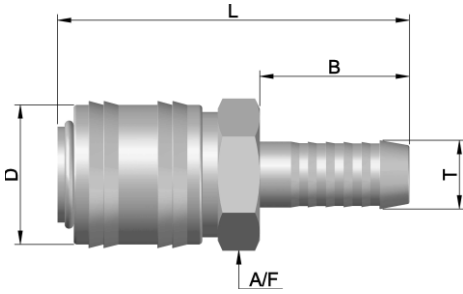
Female Pipe Thread	Flow Passage	DIMENSIONS IN MILLIMETERS/INCHES				SEALEXCEL PART NO.
		P	Ø mm	B	D	
1/8 BSP	2.5	10.0	17.0	38.0	14.0	QC410-25-2FRG
1/4 BSP	2.5	12.0	17.0	44.0	17.0	QC410-25-4FRG
1/8 BSPT	2.5	8.5	17.0	37.0	14.0	QC410-25-2FRT
1/4 BSPT	2.5	12.0	17.0	44.0	17.0	QC410-25-4FRT
1/8 NPT	2.5	9.0	17.0	37.0	9/16"	QC410-25-2FN
1/4 NPT	2.5	12.5	17.0	44.5	11/16"	QC410-25-4FN
1/4 BSP	5.0	12.0	25.0	48.0	22.0	QC410-50-4FRG
3/8 BSP	5.0	12.0	25.0	48.0	22.0	QC410-50-6FRG
1/2 BSP	5.0	15.0	25.0	51.5	27.0	QC410-50-8FRG
1/4 BSPT	5.0	12.0	25.0	48.0	22.0	QC410-50-4FRT
3/8 BSPT	5.0	12.5	25.0	48.5	22.0	QC410-50-6FRT
1/2 BSPT	5.0	16.5	25.0	53.0	27.0	QC410-50-8FRT
1/4 NPT	5.0	12.5	25.0	48.5	7/8	QC410-50-4FN
3/8 NPT	5.0	12.5	25.0	48.5	7/8	QC410-50-6FN
1/2 NPT	5.0	17.5	25.0	53.5	1-1/16	QC410-50-8FN
1/4 BSP	7.5	12.0	28.0	50.0	22.0	QC410-75-4FRG
3/8 BSP	7.5	12.0	28.0	50.0	22.0	QC410-75-6FRG
1/2 BSP	7.5	14.0	28.0	52.0	27.0	QC410-75-8FRG
1/4 BSPT	7.5	12.0	28.0	50.0	22.0	QC410-75-4FRT
3/8 BSPT	7.5	12.5	28.0	50.5	22.0	QC410-75-6FRT
1/2 BSPT	7.5	16.5	28.0	54.5	27.0	QC410-75-8FRT
1/4 NPT	7.5	12.5	28.0	50.0	7/8"	QC410-75-4FN
3/8 NPT	7.5	12.5	28.0	50.5	7/8"	QC410-75-6FN
1/2 NPT	7.5	17.5	28.0	54.5	1-1/16"	QC410-75-8FN

## Male Coupler BSPT and NPT pipe thread



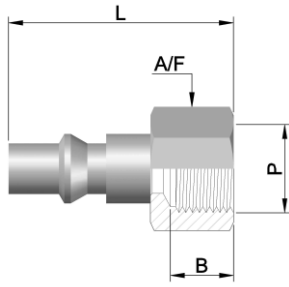
Male Pipe Thread	Flow Passage	DIMENSIONS IN MILLIMETERS/INCHES				SEALEXCEL PART NO.
		P	Ø mm	B	D	
1/8 BSPT	2.5	8.0	17.0	40.0	14.0	QC410-25-2MRT
1/4 BSPT	2.5	11.5	17.0	42.0	14.0	QC410-25-4MRT
1/8 NPT	2.5	8.0	17.0	40.0	9/16"	QC410-25-2MN
1/4 NPT	2.5	12.0	17.0	41.0	9/16"	QC410-25-4MN
1/4 BSPT	5.0	11.5	25.0	47.0	22.0	QC410-50-4MRT
3/8 BSPT	5.0	12.0	25.0	47.5	22.0	QC410-50-6MRT
1/2 BSPT	5.0	16.0	25.0	51.5	22.0	QC410-50-8MRT
1/4 NPT	5.0	12.0	25.0	47.5	7/8"	QC410-50-4MN
3/8 NPT	5.0	12.0	25.0	47.5	7/8"	QC410-50-6MN
1/2 NPT	5.0	17.0	25.0	52.5	7/8"	QC410-50-8MN
1/4 BSPT	7.5	11.5	28.0	48.0	22.0	QC410-75-4MRT
3/8 BSPT	7.5	12.0	28.0	48.5	22.0	QC410-75-6MRT
1/2 BSPT	7.5	16.0	28.0	52.5	22.0	QC410-75-8MRT
1/4 NPT	7.5	12.0	28.0	48.5	7/8"	QC410-75-4MN
3/8 NPT	7.5	12.0	28.0	48.5	7/8"	QC410-75-6MN
1/2 NPT	7.5	17.0	28.0	53.5	7/8"	QC410-75-8MN

## Hose Barb coupler Metric and Fractional Hose



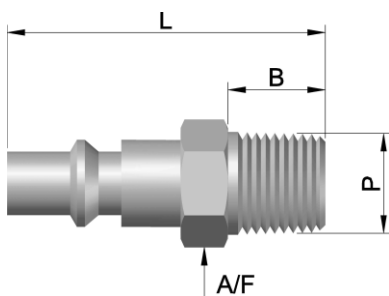
Hose OD/ID	Flow Passage	DIMENSIONS IN MILLIMETERS/INCHES				SEALEXCEL PART NO.
		T	Ø mm	B	D	
6/4 MM	2.5	22.0	17.0	54.0	14.0	QC410-25-6/4HOSE
8/5 MM	2.5	22.0	17.0	54.0	14.0	QC410-25-8/5HOSE
8/6 MM	2.5	22.0	17.0	54.0	14.0	QC410-25-8/6HOSE
5/16-3/16	2.5	22.0	17.0	54.0	9/16	QC410-25-312/3HOSE
3/8-1/4	2.5	22.0	17.0	54.0	9/16	QC410-25-375/4HOSE
1/2-3/8	2.5	22.0	17.0	54.0	5/8	QC410-25-500/6HOSE
8/5 MM	5.0	25.0	25.0	60.5	22.0	QC410-50-8/5HOSE
8/6 MM	5.0	25.0	25.0	60.5	22.0	QC410-50-8/6HOSE
10/7 MM	5.0	25.0	25.0	60.5	22.0	QC410-50-10/7HOSE
10/8 MM	5.0	25.0	25.0	62.5	22.0	QC410-50-10/8HOSE
12/9 MM	5.0	25.0	25.0	62.5	22.0	QC410-50-12/9HOSE
12/10 MM	5.0	25.0	25.0	60.5	22.0	QC410-50-12/10HOSE
14/11 MM	5.0	25.0	25.0	60.5	22.0	QC410-50-14/11HOSE
16/13 MM	5.0	25.0	25.0	60.5	22.0	QC410-50-16/13HOSE
5/16-3/16	5.0	25.0	25.0	61.5	7/8	QC410-50-312/3HOSE
3/8-1/4	5.0	27.0	25.0	61.5	7/8	QC410-50-375/4HOSE
1/2-3/8	5.0	27.0	25.0	62.5	7/8	QC410-50-500/6HOSE
10/7 MM	7.5	25.0	28.0	61.5	22.0	QC410-75-10/7HOSE
10/8 MM	7.5	25.0	28.0	61.5	22.0	QC410-75-10/8HOSE
12/9 MM	7.5	25.0	28.0	61.5	22.0	QC410-75-12/9HOSE
12/10 MM	7.5	25.0	28.0	61.5	22.0	QC410-75-12/10HOSE
14/11 MM	7.5	27.0	28.0	63.5	22.0	QC410-75-14/11HOSE
16/13 MM	7.5	27.0	28.0	63.5	22.0	QC410-75-16/13HOSE
3/8-1/4	7.5	25.0	28.0	61.5	7/8	QC410-75-375/4HOSE
1/2-3/8	7.5	25.0	28.0	61.5	7/8	QC410-75-500/6HOSE

## Female Plug BSP, BSPT and NPT Pipe Thread



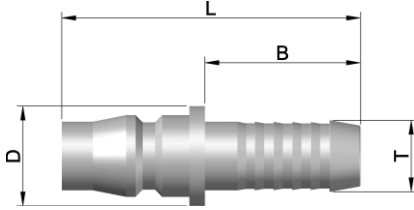
Male Pipe Thread	Flow Passage	DIMENSIONS IN MILLIMETERS/INCHES			SEALEXCEL PART NO.
		P	B	L	
1/8 BSP	2.5	10.0	26.5	14.0	P410-25-2FRG
1/4 BSP	2.5	12.0	28.5	17.0	P410-25-4FRG
1/8 BSPT	2.5	8.5	25.0	14.0	P410-25-2FRT
1/4 BSPT	2.5	12.0	28.5	17.0	P410-25-4FRT
1/8 NPT	2.5	9.0	25.5	9/16"	P410-25-2FN
1/4 NPT	2.5	12.5	29.0	11/16"	P410-25-4FN
1/4 BSP	5.0	12.0	36.5	17.0	P410-50-4FRG
3/8 BSP	5.0	12.0	36.5	20.6	P410-50-6FRG
1/2 BSP	5.0	15.0	39.5	27.0	P410-50-8FRG
1/4 BSPT	5.0	12.0	36.5	17.45	P410-50-4FRT
3/8 BSPT	5.0	12.5	37.0	20.6	P410-50-6FRT
1/2 BSPT	5.0	16.5	41.0	27.0	P410-50-8FRT
1/4 NPT	5.0	12.5	37.0	11/16	P410-50-4FN
3/8 NPT	5.0	12.5	37.0	13/16	P410-50-6FN
1/2 NPT	5.0	17.5	42.0	1-1/16	P410-50-8FN
1/4 BSP	7.5	12.0	35.0	17.0	P410-75-4FRG
3/8 BSP	7.5	12.0	35.0	20.6	P410-75-6FRG
1/2 BSP	7.5	14.0	37.0	27.0	P410-75-8FRG
1/4 BSPT	7.5	12.0	35.0	17.0	P410-75-4FRT
3/8 BSPT	7.5	12.5	35.5	20.6	P410-75-6FRT
1/2 BSPT	7.5	16.5	39.5	27.0	P410-75-8FRT
1/4 NPT	7.5	12.5	35.5	11/16	P410-75-4FN
3/8 NPT	7.5	12.5	35.5	13/16	P410-75-6FN
1/2 NPT	7.5	17.5	41.0	1-1/16	P410-75-8FN

## MALE PLUG BSPT and NPT Pipe Thread



Male Pipe Thread	Flow Passage	DIMENSIONS IN MILLIMETERS/INCHES			SEALEXCEL PART NO.
		P	B	L	
1/8 BSPT	2.5	8.0	27.5	14.0	P410-25-2MRT
1/4 BSPT	2.5	11.5	31.0	14.0	P410-25-4MRT
1/8 NPT	2.5	8.0	27.5	9/16	P410-25-2MNN
1/4 NPT	2.5	12.0	31.5	9/16	P410-25-4MNN
1/4 BSPT	5.0	11.5	39.5	14.0	P410-50-4MRT
3/8 BSPT	5.0	12.0	40.0	17.0	P410-50-6MRT
1/2 BSPT	5.0	16.0	45.0	22.0	P410-50-8MRT
1/4 NPT	5.0	12.0	40.0	9/16	P410-50-4MNN
3/8 NPT	5.0	12.0	40.0	11/16	P410-50-6MNN
1/2 NPT	5.0	17.0	46.0	7/8	P410-50-8MNN
1/4 BSPT	7.5	11.5	37.5	16.0	P410-75-4MRT
3/8 BSPT	7.5	12.0	38.0	17.0	P410-75-6MRT
1/2 BSPT	7.5	16.0	43.5	22.0	P410-75-8MRT
1/4 NPT	7.5	12.0	38.0	5/8	P410-75-4MNN
3/8 NPT	7.5	12.0	38.0	11/16	P410-75-6MNN
1/2 NPT	7.5	17.0	44.5	7/8	P410-75-8MNN

## Plug Hose Barb Metric and Fractional Hose



Hose OD/ID	Flow Passage	DIMENSIONS IN MILLIMETERS/INCHES			SEALEXCEL PART NO.
		T	B	D	
6/4 mm	2.5	22.0	12.0	38.5	P410-25-6/4HOSE
8/5 mm	2.5	22.0	12.0	38.5	P410-25-8/5HOSE
8/6 mm	2.5	22.0	12.0	38.5	P410-25-8/6HOSE
5/16-3/16	2.5	22.0	12.0	38.5	P410-25-312/3HOSE
3/8-1/4	2.5	22.0	12.0	38.5	P410-25-375/4HOSE
8/5 mm	5.0	25.0	14.0	50.0	P410-50-8/5HOSE
8/6 mm	5.0	25.0	14.0	50.0	P410-50-8/6HOSE
10/7 mm	5.0	25.0	14.0	50.0	P410-50-10/7HOSE
10/8 mm	5.0	25.0	14.0	50.0	P410-50-10/8HOSE
12/9 mm	5.0	25.0	14.0	50.0	P410-50-12/9HOSE
12/10 mm	5.0	25.0	14.0	50.0	P410-50-12/10HOSE
14/11 mm	5.0	27.0	16.0	52.0	P410-50-14/11HOSE
16/13 mm	5.0	27.0	18.0	52.0	P410-50-16/13HOSE
5/16-3/16	5.0	25.0	14.27	50.0	P410-50-312/3HOSE
3/8-1/4	5.0	25.0	14.27	50.0	P410-50-375/4HOSE
1/2-3/8	5.0	25.0	14.27	50.0	P410-50-500/6HOSE
10/7 mm	7.5	25.0	16.0	48.5	P410-75-10/7HOSE
10/8 mm	7.5	25.0	16.0	48.5	P410-75-10/8HOSE
12/9 mm	7.5	25.0	16.0	48.5	P410-75-12/9HOSE
12/10 mm	7.5	25.0	16.0	48.5	P410-75-12/10HOSE
14/11 mm	7.5	27.0	16.0	50.5	P410-75-14/11HOSE
16/13 mm	7.5	27.0	18.0	50.5	P410-75-16/13HOSE
3/8-1/4	7.5	25.0	16.0	48.5	P410-75-375/4HOSE
1/2-3/8	7.5	25.0	16.0	48.5	P410-75-500/6HOSE



## FEATURES

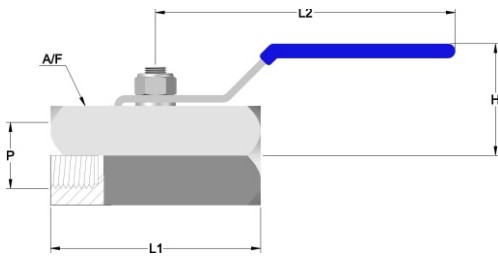
- Available in Material SS316
- Material Traceable to certified material test report
- One piece Hexagon body design, Bi-directional Flow
- PTFE Ball Seat, Bubble tight shut-off
- Anti blow-out stem, Low torque operation
- Floating ball design provides seat wear compensation
- Quarter turn positive stop handle
- Available Size : 1/4" to 1" Male/Female NPT, BSPP, BSPT Pipe Connections
- Every valve is factory tested

## OPERATING PARAMETERS

Pressure Rating : Upto 1000 psig (69 bar) at CWP with PTFE packing seat  
 Temperature Rating : -45°C to 232°C with PTFE packing and seat

## BALL VALVE SERIES : BV011

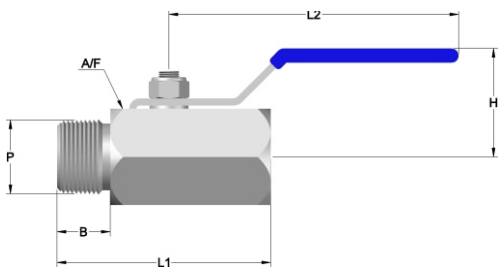
### Female to Female Pipe Thread



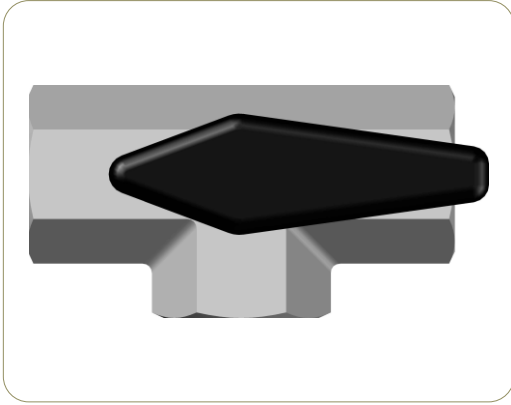
PIPE THREAD-P		DIMENSIONS IN MILLIMETERS/INCHES					SEALEXCEL PART NO.
FEMALE INTET	FEMALE OUTLET	ORIFICE	H	L1	L2	A/F	
1/4 BSP	1/4 BSP	5.0	30.8	55.4	62.5	20.6	BV011-FF4RG
3/8 BSP	3/8 BSP	7.5	38.8	58.6	84.0	23.8	BV011-FF6RG
1/2 BSP	1/2 BSP	9.0	42.0	67.4	84.0	27.0	BV011-FF8RG
3/4 BSP	3/4 BSP	12.5	51.0	76.4	104.0	33.3	BV011-FF12RG
1" BSP	1" BSP	15.5	54.0	91.8	104.0	41.3	BV011-FF16RG
1/4 BSPT	1/4 BSPT	5.0	30.8	59.0	62.5	20.6	BV011-FF4RT
3/8 BSPT	3/8 BSPT	7.5	38.8	61.6	84.0	23.8	BV011-FF6RT
1/2 BSPT	1/2 BSPT	9.0	42.0	73.0	84.0	27.0	BV011-FF8RT
3/4 BSPT	3/4 BSPT	12.5	51.0	80.5	104.0	33.3	BV011-FF12RT
1" BSPT	1" BSPT	15.5	54.0	98.5	104.0	41.3	BV011-FF16RT
1/4 NPT	1/4 NPT	5.0	30.0	59.0	62.5	13/16	BV011-FF4N
3/8 NPT	3/8 NPT	7.5	38.0	61.6	84.0	15/16	BV011-FF6N
1/2 NPT	1/2 NPT	9.0	42.0	73.0	84.0	1-1/16	BV011-FF8N
3/4 NPT	3/4 NPT	12.5	51.0	80.5	104.0	1-5/16	BV011-FF12N
1" NPT	1" NPT	15.5	54.0	98.5	104.0	1-5/8	BV011-FF16N

## BALL VALVE SERIES : BV011

### Male to Female Pipe Thread



PIPE THREAD-P		DIMENSIONS IN MILLIMETERS/INCHES					SEALEXCEL PART NO.	
MALE INTET	FEMALE OUTLET	ORIFICE	B	H	L1	L2		A/F
1/4 BSPT	1/4 BSPT	5.0	14.3	30.8	55.5	62.5	20.6	BV011-MF4RT
3/8 BSPT	3/8 BSPT	7.5	14.3	38.8	59.0	84.0	23.8	BV011-MF6RT
1/2 BSPT	1/2 BSPT	9.0	19.0	42.0	67.2	84.0	27.0	BV011-MF8RT
3/4 BSPT	3/4 BSPT	12.5	19.0	51.0	76.5	104.0	33.3	BV011-MF12RT
1" BSPT	1" BSPT	15.5	24.0	54.0	91.5	104.0	41.3	BV011-MF16RT
1/4 NPT	1/4 NPT	5.0	14.3	30.8	55.5	62.5	13/16	BV011-MF4N
3/8 NPT	3/8 NPT	7.5	14.3	38.8	59.0	84.0	15/16	BV011-MF6N
1/2 NPT	1/2 NPT	9.0	19.0	42.0	67.2	84.0	1-1/16	BV011-MF8N
3/4 NPT	3/4 NPT	12.5	19.0	51.0	76.5	104.0	1-5/16	BV011-MF12N
1" NPT	1" NPT	15.5	24.0	54.0	91.5	104.0	1-5/8	BV011-MF16N



## FEATURES

- Three way compact Floating Ball design.
- Spring loaded PTFE Seat ensure bubble light sealing and compensate for wear.
- Low torque operation.
- Positive handle stop.
- Available in SS316 material.
- Every valve is factory tested.

## ORDERING PART NO. : 3BV013-8-6RG/ETV

### OPERATING PARAMETERS

Pressure Rating : Upto 1000 psig (69 bar) at CWP with PTFE packing seat

Temperature Rating : Up to 180°C with PTFE packing, seat and Viton® O-Ring.

### MATERIAL OF CONSTRUCTION.

Body, Ball and Valve components : SS316

Valve Seat : PTFE

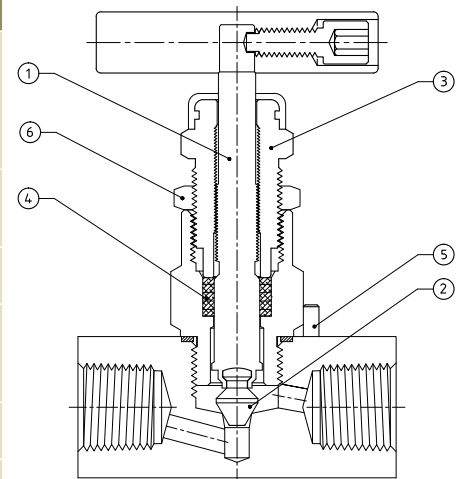
'O' Ring : Viton®

## FEATURES

- Available in SS316, all wetted parts in accordance with NACE MR01-75
- Heat Code Traceable to certified material test report
- Low operating torques
- Bar stock Body in Straight Patterns
- Anti Blow-out stem, Variety of stem tips
- PTFE packing standard
- Flow coefficient (Cv) From 0.35 to 1.8
- Orifice size : 0.156" (4.0 mm), 0.250" (6.4mm), 0.375" (9.5mm)
- Variety of end configuration includes SEALEXCEL<sup>®</sup> Well-Lok<sup>®</sup> Tube Fittings, Male / Female NPT, BSPT, BSPP pipe and tube socket weld connections
- Every valve is factory tested.



Description	Features and Benefits
1. Anti Blow-out Stem	i) Rolled and plated stem threads for excellent Stem performance & extended service life. II) Non Rotating self centering stem tip for superior & repeatable perfect sealing. III) Burnished stem at packing area to ensure low torque operation of the valve & reduction in packing wear.
2. Stem Tip	Burnished to achieve high grade surface finish and work hardness for excellence performance and extended service life
3. Packing Bolt	Allows packing adjustment in open or close position.
4. Packing	Packing below the threads protects the flow stream from lubricant contamination on the threads or wash out and also protect the stem threads from potential damaging effects of the media.
5. Locking Pin	To prevent accidental loosening / disassembly of valve.
6. Bonnet Lock Nut	For safety to prevent accidental loosening of packing bolt



## OPERATING PARAMETERS

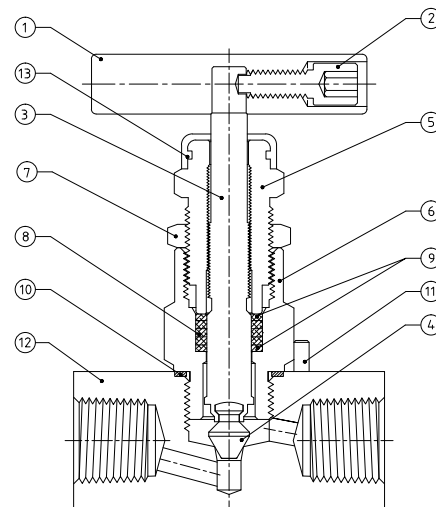
Pressure Rating : upto 6000 psig (408 bar) at CWP  
 Temperature Rating : -54°C to 232°C with standard PTFE packing  
 upto 426°C with optional Graphite packing

## APPLICATIONS

- General Plant Service
- Instrument Isolation
- Hydraulic and Pneumatic
- Pressure measurement devices
- Venting

## MATERIAL OF CONSTRUCTIONS

Sr. No.	Part Description	Material
1.	Bar Handle	SS316
2.	Screw	SS316
3.	Stem	SS316
4.	Stem Tip	SS316
5.	Packing Bolt	SS316
6.	Bonnet	SS316
7.	Bonnet Lock Nut	SS316
8.	Packing	PTFE
9.	Packing Support	GFT
10.	Washer	SS316
11.	Bonnet Safety Pin	SS316
12.	Valve Body	SS316
13.	Dust Cap	PVC



## STEM TYPE :

SEALEXCEL<sup>®</sup> Needle Valves are available with choice of optional stem to provide greater flexibility.

NON-ROTATING (NR) : It is Standard self centering non rotating stem tip typically used in high cycle application to extend the valve life.

V-STEM (VS) : It is used for general purpose liquid and gases.

SOFT SEAT (SS) : A soft seat stem requires a lower sealing torque, It is replaceable and suitable for temperature upto 120°C

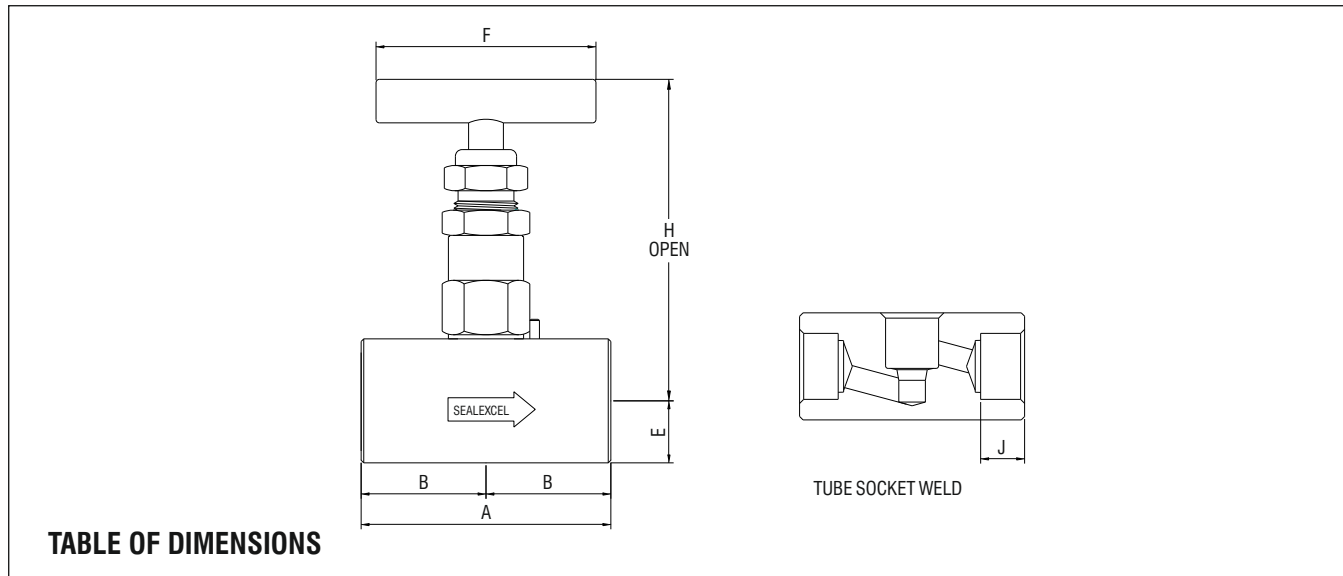
REGULATING STEM (RS) : It is used where some degree of flow control required.

**TECHNICAL DATA** : The Temperature and Pressure rating for a standard valve with PTFE packing

Temperature	Pressure	
	psig	bar
-54°C to 38°C	6000	408
-54°C to 93°C	5160	351
-54°C to 148°C	4660	317
-54°C to 204°C	4280	291
-54°C to 232°C	4130	289

## TESTING

- Standard Test : Each valve is factory tested with nitrogen at 1000 psig (69 bar) for leakage at the seat and packing.
- Optional Hydrostatic test : This test is performed with de-ionised water at 1.5 time the working pressure.



End Connections		Orifice	Cv	Dimensions (mm)						Ordering Number
Inlet	Outlet			A	B	E	F	H Straight	J	
1/4" Well-Lok	1/4" Well-Lok	4.0	0.35	62.0	31.0	12.7	52.5	73.0	-	BS03-TT4
3/8" Well-Lok	3/8" Well-Lok	6.4	0.86	73.0	36.5	14.3	63.5	88.0	-	BS03-TT6
1/2" Well-Lok	1/2" Well-Lok	6.4	0.86	77.8	38.9	14.3	63.5	88.0	-	BS03-TT8
3/4" Well-Lok	3/4" Well-Lok	11.0	2.2	100.0	50.0	15.9	69.9	114.0	-	BS03-TT12
6mm Well-Lok	6mm Well-Lok	4.0	0.35	62.0	31.0	12.7	52.5	73.0	-	BS03-TT6M
8mm Well-Lok	8mm Well-Lok	4.0	0.35	62.0	31.0	12.7	52.5	73.0	-	BS03-TT8M
10mm Well-Lok	10mm Well-Lok	6.4	0.86	73.0	36.5	14.3	63.5	88.0	-	BS03-TT10M
12mm Well-Lok	12mm Well-Lok	6.4	0.86	77.8	38.9	14.3	63.5	88.0	-	BS03-TT12M
1/8" Female NPT	1/8" Female NPT	4.0	0.35	50.8	25.4	12.7	47.6	73.0	-	BS03-FF2N
1/4" Female NPT	1/4" Female NPT	4.0	0.35	57.2	28.6	12.7	52.5	73.0	-	BS03-FF4N
3/8" Female NPT	3/8" Female NPT	6.4	0.86	60.4	30.2	14.3	63.5	88.0	-	BS03-FF6N
1/2" Female NPT	1/2" Female NPT	11.0	2.2	79.4	39.7	15.9	69.9	113.0	-	BS03-FF8N
3/4" Female NPT	3/4" Female NPT	11.0	2.2	79.4	39.7	17.5	69.9	115.0	-	BS03-FF12N
1" Female NPT	1" Female NPT	11.0	2.2	92.0	46.0	22.5	69.9	122.0	-	BS03-FF16N
1/4" Male NPT	1/4" Male NPT	4.0	0.35	57.2	28.6	12.7	52.5	73.0	-	BS03-MM4N
1/4" Male NPT	1/4" Female NPT	4.0	0.35	57.2	28.6	12.7	52.5	73.0	-	BS03-MF4N
1/2" Male NPT	1/2" Female NPT	11.0	2.2	79.4	39.7	15.9	69.9	113.0	-	BS03-MF8N
3/4" Male NPT	3/4" Female NPT	11.0	2.2	79.4	39.7	17.5	69.9	115.0	-	BS03-MF12N
1" Male NPT	1" Female NPT	11.0	2.2	92.0	46.0	22.5	69.9	122.0	-	BS03-MF16N
1/4" TSW	1/4" TSW	4.0	0.35	46.0	23.0	12.7	52.5	73.0	7.2	BS03-TSW4
3/8" TSW	3/8" TSW	6.4	0.86	57.2	28.6	14.3	63.5	88.0	8.0	BS03-TSW6
1/2" TSW	1/2" TSW	6.4	0.86	57.2	28.6	14.3	63.5	88.0	9.6	BS03-TSW8
3/4" TSW	3/4" TSW	11.0	2.2	79.4	39.7	15.9	69.9	113.0	11.1	BS03-TSW12

Dimensions shown with SEALEXCEL® Well-Lok™ Nut are finger tight

Dimensions are for reference only and subject to change without notice

 <p>Twin/Single Ferrule Tube Fittings</p>	 <p>37° Flare Tube Fittings To SAE J514</p>	 <p>Instrument Threaded &amp; Welded Pipe Fittings</p>	 <p>Tube Fittings With Integral Flange</p>	 <p>Low /Medium Pressure Ball Valves</p>
 <p>High Pressure Ball Valve</p>	 <p>High Pressure 2/3 Way Ball Valve</p>	 <p>Needle Valve</p>	 <p>Needle Valves (Panel Mountable)</p>	 <p>High Pressure Needle Valve</p>
 <p>Rising Stem Plug Valves</p>	 <p>Gauge/Root Valves</p>	 <p>Instrument 2/3/5 Manifold Valves</p>	 <p>Monoflange Valves</p>	 <p>Single / Double Block &amp; Bleed Valves</p>
 <p>Purge Valves</p>	 <p>Bleed Valves</p>	 <p>Toggle Valves</p>	 <p>Relief Valves</p>	 <p>Check Valves</p>
 <p>Micron In-line Filters</p>	 <p>Quick Connect Couplings</p>	 <p>Stainless Steel Pneumatics Fittings &amp; Valves</p>		





*SEALEXCEL's commitment to upgrading  
it's product range by way of continuous  
research and development programme with advanced  
technology and cutting edge solutions to ensure  
best quality products at competitive price  
and also best delivery schedule for it's customer*

## **A TOTAL CUSTOMER SATISFACTIONS**



**SEALEXCEL® (INDIA) PVT. LTD.**

**Regd. Office :** A-1201, Keytech Park, Off S.V. Road,  
Oshiwara, Jogeshwari (West), Mumbai - 400102. INDIA.  
Phone : +91-22-4609 1815 • E-mail : sales@sealexcel.com  
Website : www.sealexcel.com

**UNIT - I :** 56 & 61,  
Veena Dalvai Industrial Estate,  
S. V. Road, Oshiwara, Jogeshwari (West),  
Mumbai - 400102.INDIA.

**UNIT - II :** At Post - Mahi,  
Pirojpura - Mahi Road, Via Chhapi,  
Taluka-vadgam, Dist-Banaskantha,  
North-Gujarat, Pin-385210. India

Catalogue No. PN-1116/26