

## Fine-Lok™ / Well-Lok™ Tube Fittings



*...Make the leak free connections with  
Sealexcel products at economical price...*



## About the Company

# SEALEXCEL® (INDIA) PVT. LTD.

is a fast growing manufacturing company in the field of design, development, production and marketing of high quality valves and fittings for international and domestic markets, Since 1987.

## Product Range

- Twin ferrule tube fittings
- Single ferrule tube fittings
- Tube Fittings as per DIN 2353
- 37° Flared tube fittings
- Stainless steel push-in-fittings
- Precision pipe fittings and adaptors
- Stainless steel quick connect couplings
- Bar stock and forged body needle valves
- Instrumentation ball valves

## Our Focus

SEALEXCEL® manufactures all the above products to very stringent tolerances under rigid quality controlled procedures approved to ISO 9001 : 2000 quality management systems. The products are tested with continuous Research and Development programs to withstand the demand of high performance world class quality products for instrumentation and process tubing. These products are used in the environments like Oil, Gas, Chemical, Petrochemical, Nuclear, Power Plant, Pharmaceutical, Hydraulic, Pneumatic, Marine, Packaging, Printing Industries etc.

## Manufacturing Facility

SEALEXCEL® has two well equipped manufacturing units in India having modern manufacturing facilities with CNC lathes, Single Spindle Auto Screw machines, Capstan lathes, Thread Rolling and many other machines to provide good quality products at economical prices.

## Product warranty

All the SEALEXCEL® Products come with a warranty of 12 months from the date of shipment against any defect in material or workmanship. The warranty stands for replacement of determined defective parts only.

## Quality Policy

We at SEALEXCEL® not only strive to meet all of customer's requirements but also enhance customer's expectations by providing them excellent products at economical price in time.

This is achieved by

- Continuously improving the products, process and systems.
- Ensuring involvement of all the employees and enhancing their competency.
- Complying with all applicable statutory and regulatory requirements.

## The Goal

SEALEXCEL® is committed to make every effort towards producing world class quality products at economical price.



## GENERAL INFORMATION :

SEALEXCEL Fine-Lok™/ Well-Lok™ Tube fittings have been carefully designed and manufactured with continuous research and development backing to very stringent tolerances under rigid Quality Control procedures approved to ISO 9001-2000 quality management systems to provide zero leak, Torque free seal in instrumentation and process tubing.

SEALEXCEL Fine-Lok™/Well-Lok™ Tube fittings ensures maximum safety and reliability due to Tests carried out such as High pressure, impulse, vibration, vacuum, temperature, pull out and burst pressure.

## MATERIAL

SEALEXCEL Fine-Lok™/ Well-Lok™ Tube fittings are available as standard stainless steel 316. The raw materials used confirm to chemical requirements listed in specification below,

BAR STOCK	FORGING
ASME - SA -479, TYPE 316 - SS	ASME-SA-182 316 BS970 316-S31
BS970 316 - S31 DIN 4401	DIN 4401
ASTMA276, TYPE 316	

## HEAT TRACEABILITY

Stainless steel 316 Tube fittings are heat code traceable back to the original mill heat from which it was made.

## PRESSURE RATING

SEALEXCEL Fine-Lok™/ Well-Lok™ Tube fitting are rated for working pressure higher than the tubing recommended in tubing data table as shown below. However, tubing should not be used above its maximum allowed working pressure.

## TUBING SELECTIONS

Stainless steel 304 and 316 fully annealed seamless tubing according to standard ASTM A213 or ASTM A269 or equivalent, are suitable for use with Fine-Lok™/Well-Lok™ tube fittings.

The tubing should be compatible with the process fluid, pressure and temperature.

For good performance of Fine-Lok™/Well-Lok™ tube fittings, the tubing should be reasonably round, free from nicks, scratches, the surface finish should be good and tube ends are squarely cut and must be free from burrs.

The hardness of tubing as desired is 80Rb; the maximum allowed by ASTM is 90Rb.

**Table 1 : TUBING DATA TABLES FOR FRACTIONAL SIZE**

Tubing O.D.	ALLOWABLE WORKING PRESSURE (PSI)							
	WALL THICKNESS IN INCH							
	.028	.035	.049	.065	.083	.095	.109	.120
1/8	8600	10900						
3/16	5500	7000	10300					
1/4	4000	5100	7500	10300				
5/16		4100	5900	8100				
3/8		3300	4800	6600				
1/2		2600	3700	5100	6700			
5/8			3000	4000	5200	6100		
3/4			2400	3300	4300	5000	5800	
7/8			2100	2800	3600	4200	4900	
1				2400	3200	3700	4200	4700

**Table 2: TUBING DATA TABLES FOR METRIC SIZE.**

Tubing O.D.	ALLOWABLE WORKING PRESSURE IN BAR												
	WALL THICKNESS IN MILLIMETER												
	0.5	0.6	0.7	0.8	1.0	1.2	1.5	1.6	1.8	2.0	2.2	2.5	3.0
3	497	607	718	828	1032								
6			331	386	497	607	774	912					
8			208	280	359	440	558	607					
10				221	280	342	440	473					
12				182	231	280	359	386	440	497			
14					195	237	302	324	369	416	463	535	654
16					169	205	261	280	319	358	398	460	564
18					150	181	230	246	280	314	349	403	496
22					121	147	185	199	225	252	280	322	394
25					108	128	162	173	196	220	244	280	342

**Note :** Working pressure (psig) for seamless tubing. Multiply pressure rating by 0.80 for single welded tubing. Multiply pressure rating by 0.85 for double welded tubing.

**TABLE 3 : FACTORS USED TO DETERMINE ALLOWABLE PRESSURE AT HIGHER TEMPERATURES.**

°F	°C	A.I.S.I. 316
200	93	1
400	204	0.96
600	316	0.85
800	427	0.79
1000	538	0.76
1200	649	0.37

For Example : The allowable pressure for type SS316, Size 1/4"OD x 0.035 wall at 600° F(316° C) would be equivalent to 5100 psi x 0.85 = 4335 psi.

**GAS SERVICE**

Extra care must be taken while selecting tubing for gas application, In order to achieve a gas-tight seal, ferrules in instruments fittings must seal any minor surface imperfections.

The thick walled tubing helps the ferrules to overcome minor surface imperfections.

SEALEXCEL recommends the following minimum wall thickness of tubing for gas application.

**TABLE 4 : GAS APPLICATION TUBING**

Tube OD (Inches)	Nominal Minimum Wall Thickness (Inches)	Tube OD (Metric)	Nominal Minimum Wall Thickness (Metric)
1/8"	0.028"	3 mm	0.8 mm
3/16"	0.028"	6 mm	0.8 mm
1/4"	0.028"	8 mm	1.0 mm
5/16"	0.035"	10 mm	1.0 mm
3/8"	0.035"	12 mm	1.0 mm
1/2"	0.049"	14 mm	1.2 mm
5/8"	0.065"	16 mm	1.5 mm
3/4"	0.065"	18 mm	1.5 mm
7/8"	0.083"	20 mm	1.8 mm
1"	0.083"	22 mm	2.0 mm
		25 mm	2.2 mm

## PIPE END NPT AND ISO PRESSURE RATINGS

Fitting that has both tube and pipe thread ends can have different pressure ratings. The pipe end pressure ratings chart given below for SS316 shows the pressure ratings for male and female pipe thread ends.

Working pressure is calculated on ANSI code for pressure piping B31.3 basis.

**TABLE 5 :**

NPT/BSPT PIPE SIZE	WORKING PRESSURE IN PSIG			
	MALE THREAD		FEMALE THREAD	
	Straight Fittings	Shape Fitting	Straight Fittings	Shape Fitting
1/8"	9100	9100	6400	5500
1/4"	7500	7500	6600	5600
3/8"	7200	7200	5300	5000
1/2"	6600	5800	5200	4500
3/4"	6400	6400	4300	3500
1"	4600	4600	4500	3900

## SAE/MS Pressure Ratings for SS316

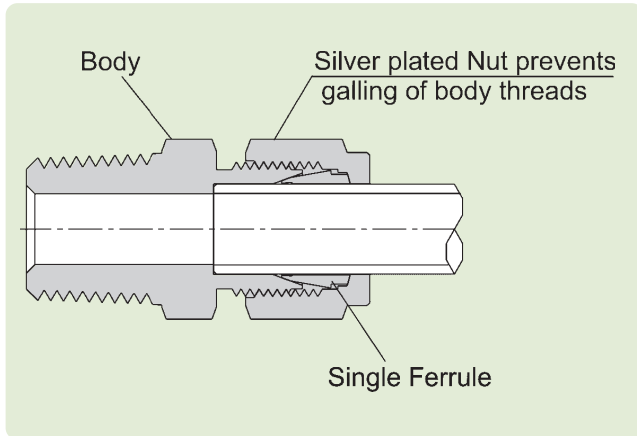
**TABLE 6 :** Pressure ratings are from SAE J1926/3

SAE/MS THREAD SIZE	Non Positionable	Positionable
	PSIG	PSIG
5/16-24	4568	4568
7/16-20	4568	4568
1/2-20	4568	4568
9/16-18	4568	3626
3/4-16	4568	3626
7/8-14	3626	2900
1 <sup>1</sup> / <sub>16</sub> -12	3626	2900
1 <sup>3</sup> / <sub>16</sub> -12	2900	2320
1 <sup>5</sup> / <sub>16</sub> -12	2900	2320

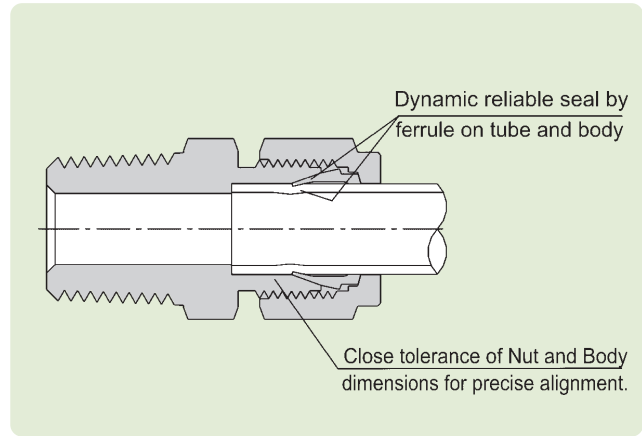
# CONSTRUCTION OF Fine-Lok™ Tube Fittings

Fine-Lok™ Tube Fittings consist of three precision component such as Nut, Single Ferrule and Body.

## Fractional Fine-Lok™ Tube Fittings

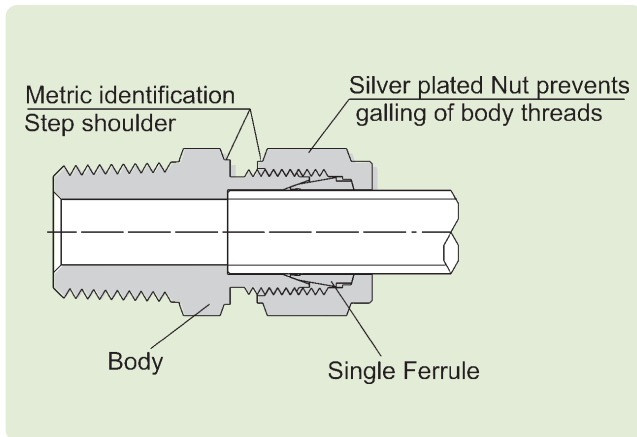


Finger tight Fine-Lok™ Fractional Tube Fittings.

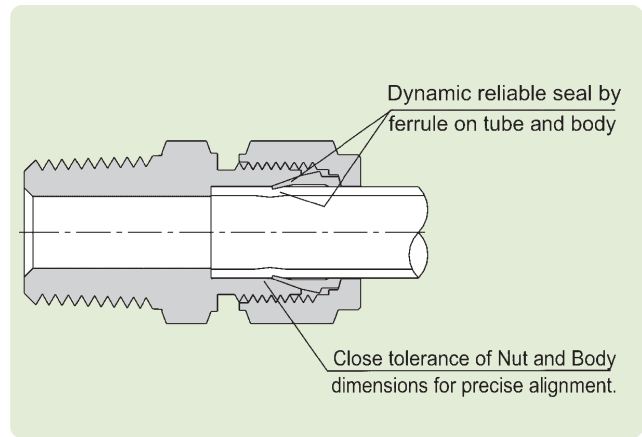


Assembled Fine-Lok™ Fractional Tube Fittings after tightening the Nut 1 ¼ turn from the finger tight position.

## Metric Fine-Lok™ Tube Fittings



Finger tight Fine-Lok™ Metric Tube Fittings.

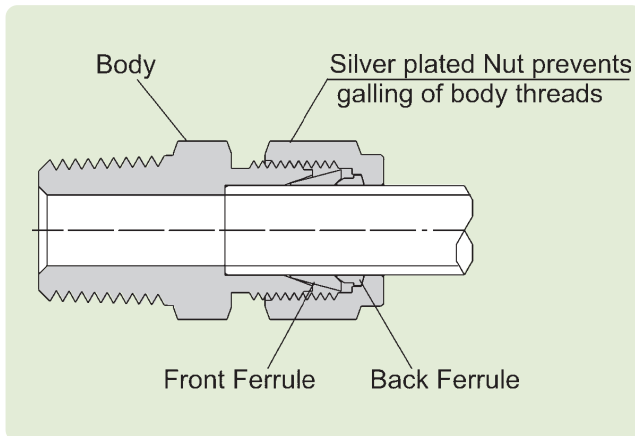


Assembled Fine-Lok™ Metric Tube Fittings after tightening the Nut 1 ¼ turn from the finger tight position.

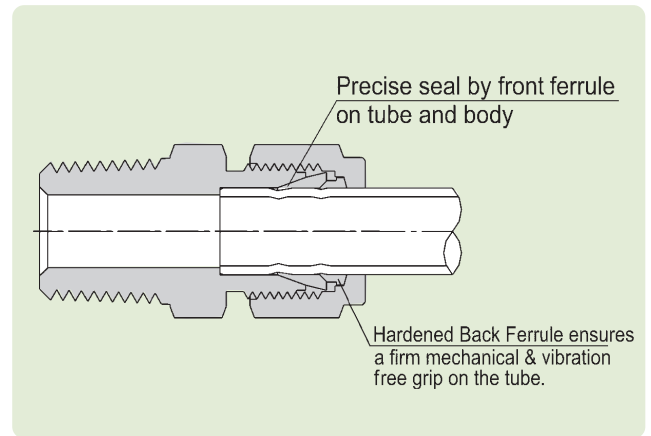
# CONSTRUCTION OF Well-Lok™ Tube Fittings

Well-Lok™ Tube Fittings consist of four precision components such as Nut, Back Ferrule, Front Ferrule and Body.

## Fractional Well-Lok™ Tube Fittings

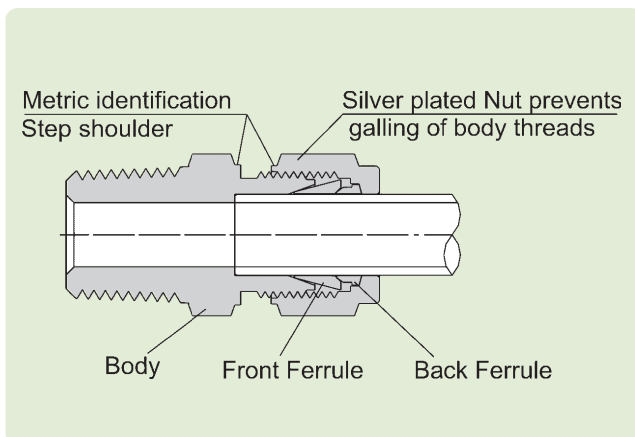


Finger tight Well-Lok™ Fractional Tube Fittings.

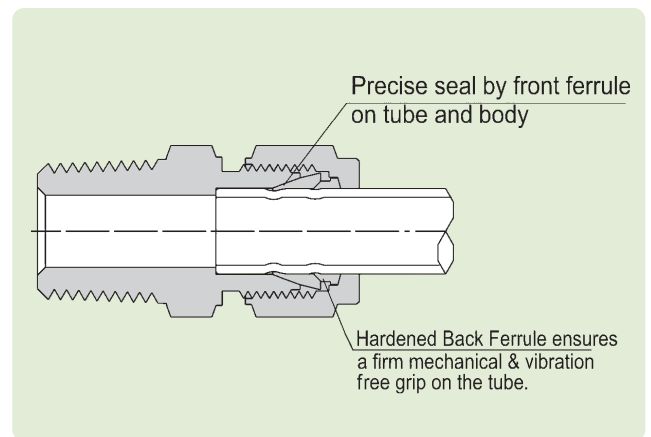


Assembled Well-Lok™ Fractional Tube Fittings after tightening the Nut 1/4 turn from the finger tight position.

## Metric Well-Lok™ Tube Fittings



Finger tight Well-Lok™ Metric Tube Fittings.



Assembled Well-Lok™ Metric Tube Fittings after tightening the Nut 1/4 turn from the finger tight position.

### Gaugeability :

SEALEXCEL Fine-Lok™/Well-Lok™ Tube Fittings are manufactured to very stringent tolerances to meet the Gaugeability to check the gap between Nut and Body Hex, this allows easy inspection for sufficient tightening of the Nut before a system is pressurized, which ensures maximum safety and reliability.

## MALE CONNECTOR

- Fractional or Metric Tube to
- Male NPT Thread ..... 11, 12
  - Male ISO Tapered Pipe Thread ..... 11, 12, 13



## THERMOCOUPLE MALE CONNECTOR

- Fractional Tube to
- Male NPT Thread ..... 17



## POSITIONABLE MALE BRANCHTEE

- Fractional or Metric Tube to
- Male SAE / MS Straight Thread ... 22
  - Male ISO Parallel Thread ..... 22



## FEMALE RUN TEE

- Fractional or Metric Tube to
- Female NPT Thread ..... 28



## MALE CONNECTOR

- Fractional Tube to
- Male SAE / MS Straight Thread ... 13



## BULKHEAD MALE CONNECTOR

- Fractional or Metric Tube to
- Male NPT Thread ..... 17



## POSITIONABLE MALE RUNTEE

- Fractional or Metric Tube to
- Male SAE / MS Straight Thread ... 23
  - Male ISO Parallel Thread ..... 23



## UNION

- Fractional or Metric Tube ..... 29



## LONG MALE CONNECTOR

- Fractional Tube to
- Male SAE / MS Straight Thread ... 14



## MALE ELBOW

- Fractional or Metric Tube to
- Male NPT Thread ..... 18
  - Male ISO Tapered Thread ..... 19



## FEMALE CONNECTOR

- Fractional or Metric Tube to
- Female NPT Thread ..... 24
  - Female ISO Tapered Thread ..... 25
  - Female ISO Parallel Thread .. 25, 26



## REDUCING UNION

- Fractional or Metric Tube ..... 30



## MALE CONNECTOR

- Fractional Tube to
- Male EO-seal straight thread ..... 14
- Fractional or Metric Tube to
- Male EO-seal ISO Parallel thread ..... 14, 15



## POSITIONABLE MALE ELBOW

- Fractional or Metric Tube to
- Male SAE / MS Straight Thread ... 20
  - Male ISO Parallel Thread ..... 20



## BULKHEAD FEMALE CONNECTOR

- Fractional or Metric Tube to
- Female NPT Thread ..... 26



## BULKHEAD UNION

- Fractional or Metric Tube ..... 30, 31



## MALE CONNECTOR

- Fractional or Metric Tube to
- Male ISO Parallel Thread - RP ..... 15



## MALE BRANCHTEE

- Fractional or Metric Tube to
- Male NPT Thread ..... 21



## FEMALE ELBOW

- Fractional or Metric Tube to
- Female NPT Thread ..... 27



## BULKHEAD REDUCING UNION

- Fractional Tube ..... 31



## MALE CONNECTOR

- Fractional or Metric Tube to
- Male ISO Parallel Thread - RS ..... 16



## MALE RUN TEE

- Fractional or Metric Tube to
- Male NPT Thread ..... 21



## FEMALE BRANCHTEE

- Fractional or Metric Tube to
- Female NPT Thread ..... 27, 28



## UNION ELBOW

- Fractional or Metric Tube ..... 31





## REDUCING UNION ELBOW

- Fractional Tube ..... 32



## TUBE SOCKET WELD UNION

- Fractional Tube ..... 35



## PORT CONNECTOR

- Fractional or Metric Tube ..... 39



## FRONT FERRULE

- Fractional or Metric Tube ..... 42



## UNION TEE

- Fractional or Metric Tube ..... 33



## TUBE SOCKET WELD ELBOW

- Fractional Tube ..... 35



## REDUCING PORT CONNECTOR

- Fractional or Metric Tube ..... 40



## SINGLE FERRULE

- Fractional or Metric Tube ..... 42



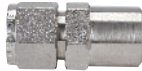
## REDUCING UNION TEE

- Fractional Tube ..... 33



## MALE PIPE WELD CONNECTOR

- Fractional or Metric Tube to
- Pipe Weld ..... 35, 36



## CAP

- Fractional or Metric Tube ..... 40



## BULKHEAD LOCK NUT

- Fractional or Metric Tube ..... 43



## UNION CROSS

- Fractional or Metric Tube ..... 33, 34



## MALE PIPE WELD ELBOW

- Fractional Tube to
- Pipe Weld ..... 36



## PLUG

- Fractional or Metric Tube ..... 41



## GASKET

- Male ISO Parallel Thread ..... 44
- RP, RS, RG



## AN UNION

- Fractional Tube to
- AN Male Thread ..... 34



## REDUCER

- Fractional or Metric Tube ..... 37, 38



## NUT

- Fractional or Metric Tube ..... 41



## INSTALLATION INSTRUCTION

- ..... 45, 46

## AN BULKHEAD UNION

- Fractional Tube to
- AN Male Thread ..... 34



## BULKHEAD REDUCER

- Fractional Tube ..... 39



## BACK FERRULE

- Fractional or Metric Tube ..... 41



## FOR ADAPTERS

- Male Adapter
- AN Male Adapter
- Female Adapter

Please refer catalogue no 02-06/PPF for Precision Pipe Fittings & Adapters

## ORDERING INFORMATION

The part Number describes completely assembled Fine-Lok™ / Well-Lok™ Tube fittings.

Eg.: For Fine-Lok™ Tube Fittings Metric size: SMC-6-250RT-E

SMC	6	250	RT	E
Type of Fitting	Tube OD	Pipe Thread Size	Type of Thread	Material
Male Connector	6 mm	1/4"	BSPT	SS 316

Eg.: For Well-Lok™ Tube Fittings Inch size: MC-250-250N-E

MC	250	250	N	E
Type of Fitting	Tube OD	Pipe Thread Size	Type of Thread	Material
Male Connector	1/4"	1/4"	NPT	SS 316

### TUBE OD SIZE CODE DESCRIPTION :

FRACTIONAL			
SIZE	CODE	SIZE	CODE
1/8	125	1/2	500
3/16	187	5/8	625
1/4	250	3/4	750
5/16	312	7/8	875
3/8	375	1	1000

METRIC			
SIZE	CODE	SIZE	CODE
3MM	3	15 MM	15
4MM	4	16 MM	16
6MM	6	18 MM	18
8MM	8	20 MM	20
10MM	10	22 MM	22
12MM	12	25 MM	25
14MM	14	-	-

### PIPE THREAD SIZE CODE DESCRIPTION :

FRACTIONAL			
SIZE	CODE	SIZE	CODE
1/8	125	5/8	625
1/4	250	3/4	750
3/8	375	7/8	875
7/16	437	1	1000
1/2	500	1 <sup>1</sup> / <sub>16</sub>	1062
9/16	562	1 <sup>5</sup> / <sub>16</sub>	1312

### MATERIAL CODE DESCRIPTION :

MATERIAL	CODE
SS316	E
SS316L	EL
'O' Ring Viton®	V
'O' Ring Buna	N

Viton® is the registered trademark of Dupont

## PIPE THREAD INFORMATION

SEALEXCEL pipe fittings are available with NPT (National Pipe Taper)

BSP/ISO (British Standard Pipe/International Standards Organisation) and SAE/MS straight thread.

### TAPERED THREADS :

Specification (s)	Type	Thread Designation	Sealing Method
NPT ANSI B1.20.1	MF	N	Seal is made on the thread, Thread sealant is required
ISO 7/1, BS 21, JIS B0203 DIN 2999	MF Male	RT	Seal is made on the thread, Thread sealant is required

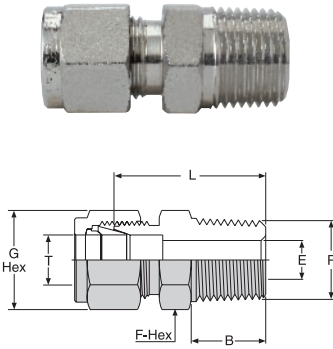
### PARALLEL THREADS :

Specification (s)	Type	Thread Designation	Sealing Method
ISO 228/1, BS 2779, JIS B0202	Male	RP	Metal-to-Metal sealing to DIN 3852, Form B.
ISO 228/1, BS 2779 JIS B0202	Male	RS	Utilizes a washer to provide sealing Reference DIN 3852, Form A
ISO 228/1, BS 2779 JIS B0202	Female	RG	Sealing Form meets DIN 3852, Form Y
BS2779 ISO 228/1 With Elastomeric Sealing	Male	EO	Sealing form meets DIN 3852, part2 Form E.
ASME B1.1	Male	SE	Sealing with 'O' Ring

## MALE CONNECTOR

For fractional Tube to Female NPT thread connection

(Tapered Thread)



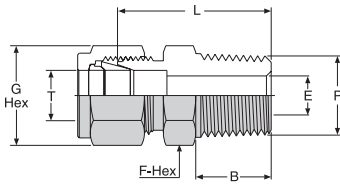
TUBE OD	NPT MALE THREAD	DIMENSIONS IN INCH					PART NO.	
		T	P	B	E	F	G	L
1/8	1/8	0.38	0.09	7/16	7/16	0.94	MC-125-125N	SMC-125-125N
1/8	1/4	0.56	0.09	9/16	7/16	1.14	MC-125-250N	SMC-125-250N
1/8	3/8	0.56	0.09	11/16	7/16	1.15	MC-125-375N	SMC-125-375N
1/8	1/2	0.75	0.09	7/8	7/16	1.40	MC-125-500N	SMC-125-500N
3/16	1/8	0.38	0.12	7/16	1/2	0.97	MC-187-125N	SMC-187-125N
3/16	1/4	0.56	0.12	9/16	1/2	1.17	MC-187-250N	SMC-187-250N
1/4	1/8	0.38	0.19	1/2	9/16	1.00	MC-250-125N	SMC-250-125N
1/4	1/4	0.56	0.19	9/16	9/16	1.20	MC-250-250N	SMC-250-250N
1/4	3/8	0.56	0.19	11/16	9/16	1.22	MC-250-375N	SMC-250-375N
1/4	1/2	0.75	0.19	7/8	9/16	1.47	MC-250-500N	SMC-250-500N
1/4	3/4	0.75	0.19	1 1/8	9/16	1.53	MC-250-750N	SMC-250-750N
5/16	1/8	0.38	0.19	9/16	5/8	1.05	MC-312-125N	SMC-312-125N
5/16	1/4	0.56	0.25	9/16	5/8	1.23	MC-312-250N	SMC-312-250N
5/16	3/8	0.56	0.25	11/16	5/8	1.25	MC-312-375N	SMC-312-375N
5/16	1/2	0.75	0.25	7/8	5/8	1.50	MC-312-500N	SMC-312-500N
3/8	1/8	0.38	0.19	5/8	11/16	1.10	MC-375-125N	SMC-375-125N
3/8	1/4	0.56	0.28	5/8	11/16	1.28	MC-375-250N	SMC-375-250N
3/8	3/8	0.56	0.28	11/16	11/16	1.28	MC-375-375N	SMC-375-375N
3/8	1/2	0.75	0.28	7/8	11/16	1.53	MC-375-500N	SMC-375-500N
3/8	3/4	0.75	0.28	1 1/8	11/16	1.59	MC-375-750N	SMC-375-750N
1/2	1/8	0.38	0.19	13/16	7/8	1.13	MC-500-125N	SMC-500-125N
1/2	1/4	0.56	0.28	13/16	7/8	1.31	MC-500-250N	SMC-500-250N
1/2	3/8	0.56	0.38	13/16	7/8	1.31	MC-500-375N	SMC-500-375N
1/2	1/2	0.75	0.41	7/8	7/8	1.53	MC-500-500N	SMC-500-500N
1/2	3/4	0.75	0.41	1 1/8	7/8	1.59	MC-500-750N	SMC-500-750N
1/2	1	0.94	0.41	1 3/8	7/8	1.85	MC-500-1000N	SMC-500-1000N
5/8	3/8	0.56	0.38	15/16	1	1.34	MC-625-375N	SMC-625-375N
5/8	1/2	0.75	0.47	15/16	1	1.53	MC-625-500N	SMC-625-500N
5/8	3/4	0.75	0.50	1 1/8	1	1.59	MC-625-750N	SMC-625-750N
3/4	1/2	0.75	0.47	1 1/16	1 1/8	1.59	MC-750-500N	SMC-750-500N
3/4	3/4	0.75	0.62	1 1/8	1 1/8	1.59	MC-750-750N	SMC-750-750N
3/4	1	0.94	0.62	1 3/8	1 1/8	1.85	MC-750-1000N	SMC-750-1000N
7/8	3/4	0.75	0.62	1 3/16	1 1/4	1.59	MC-875-750N	SMC-875-750N
7/8	1	0.94	0.72	1 3/8	1 1/4	1.85	MC-875-1000N	SMC-875-1000N
1	1/2	0.75	0.47	1 3/8	1 1/2	1.78	MC-1000-500N	SMC-1000-500N
1	3/4	0.75	0.62	1 3/8	1 1/2	1.78	MC-1000-750N	SMC-1000-750N
1	1	0.94	0.88	1 3/8	1 1/2	1.97	MC-1000-1000N	SMC-1000-1000N

For fractional Tube to Female ISO Tapered pipe thread connection

TUBE OD	BSPT MALE THREAD	DIMENSIONS IN INCH					PART NO.	
		T	P	B	E	F	G	L
1/8	1/8	0.38	0.09	7/16	7/16	0.94	MC-125-125RT	SMC-125-125RT
1/8	1/4	0.56	0.09	9/16	7/16	1.14	MC-125-250RT	SMC-125-250RT
1/4	1/8	0.38	0.19	1/2	9/16	1.00	MC-250-125RT	SMC-250-125RT
1/4	1/4	0.56	0.19	9/16	9/16	1.20	MC-250-250RT	SMC-250-250RT
1/4	3/8	0.56	0.19	11/16	9/16	1.22	MC-250-375RT	SMC-250-375RT
1/4	1/2	0.75	0.19	7/8	9/16	1.47	MC-250-500RT	SMC-250-500RT
5/16	1/8	0.38	0.19	9/16	5/8	1.05	MC-312-125RT	SMC-312-125RT
5/16	1/4	0.56	0.25	9/16	5/8	1.23	MC-312-250RT	SMC-312-250RT
3/8	1/8	0.38	0.19	5/8	11/16	1.10	MC-375-125RT	SMC-375-125RT
3/8	1/4	0.56	0.28	5/8	11/16	1.28	MC-375-250RT	SMC-375-250RT
3/8	3/8	0.56	0.28	11/16	11/16	1.28	MC-375-375RT	SMC-375-375RT
3/8	1/2	0.75	0.28	7/8	11/16	1.53	MC-375-500RT	SMC-375-500RT
1/2	1/4	0.56	0.28	13/16	7/8	1.31	MC-500-250RT	SMC-500-250RT
1/2	3/8	0.56	0.38	13/16	7/8	1.31	MC-500-375RT	SMC-500-375RT
1/2	1/2	0.75	0.41	7/8	7/8	1.53	MC-500-500RT	SMC-500-500RT
1/2	3/4	0.75	0.41	1 1/8	7/8	1.59	MC-500-750RT	SMC-500-750RT
3/4	3/4	0.75	0.62	1 1/8	1 1/8	1.59	MC-750-750RT	SMC-750-750RT
1	1	0.94	0.88	1 3/8	1 1/2	1.97	MC-1000-1000RT	SMC-1000-1000RT

## MALE CONNECTOR For Metric tube to Female NPT thread connection

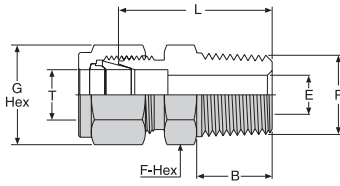
(Tapered Thread)



TUBE OD	NPT MALE THREAD	DIMENSIONS IN MM						PART NO.	
		T	P	B	E	F	G	L	Well-Lok™
3	1/8	9.7	2.4	12.0	12.0	23.9		MC-3-125N	SMC-3-125N
3	1/4	14.3	2.4	14.0	12.0	29.0		MC-3-250N	SMC-3-250N
4	1/8	9.7	2.4	12.0	12.0	24.6		MC-4-125N	SMC-4-125N
4	1/4	14.3	2.4	14.0	12.0	29.7		MC-4-250N	SMC-4-250N
6	1/8	9.7	4.8	14.0	14.0	25.4		MC-6-125N	SMC-6-125N
6	1/4	14.3	4.8	14.0	14.0	30.5		MC-6-250N	SMC-6-250N
6	3/8	14.3	4.8	18.0	14.0	31.0		MC-6-375N	SMC-6-375N
6	1/2	19.0	4.8	22.0	14.0	37.3		MC-6-500N	SMC-6-500N
8	1/8	9.7	4.8	14.0	16.0	26.7		MC-8-125N	SMC-8-125N
8	1/4	14.3	6.4	14.0	16.0	31.2		MC-8-250N	SMC-8-250N
8	3/8	14.3	6.4	18.0	16.0	31.8		MC-8-375N	SMC-8-375N
8	1/2	19.0	6.4	22.0	16.0	38.1		MC-8-500N	SMC-8-500N
10	1/8	9.7	4.8	18.0	19.0	28.7		MC-10-125N	SMC-10-125N
10	1/4	14.3	7.9	18.0	19.0	33.3		MC-10-250N	SMC-10-250N
10	3/8	14.3	7.9	18.0	19.0	33.3		MC-10-375N	SMC-10-375N
10	1/2	19.0	7.9	22.0	19.0	38.9		MC-10-500N	SMC-10-500N
10	3/4	19.0	7.9	28.0	19.0	40.4		MC-10-750N	SMC-10-750N
12	1/8	9.7	4.8	22.0	22.0	28.7		MC-12-125N	SMC-12-125N
12	1/4	14.3	7.1	22.0	22.0	33.3		MC-12-250N	SMC-12-250N
12	3/8	14.3	9.5	22.0	22.0	33.3		MC-12-375N	SMC-12-375N
12	1/2	19.0	9.5	22.0	22.0	38.9		MC-12-500N	SMC-12-500N
12	3/4	19.0	9.5	28.0	22.0	40.4		MC-12-750N	SMC-12-750N
14	1/4	14.3	7.1	24.0	25.0	34.0		MC-14-250N	SMC-14-250N
14	3/8	14.3	9.5	24.0	25.0	34.0		MC-14-375N	SMC-14-375N
14	1/2	19.0	11.1	24.0	25.0	38.9		MC-14-500N	SMC-14-500N
15	1/2	19.0	11.9	24.0	25.0	38.9		MC-15-500N	SMC-15-500N
16	3/8	14.3	9.5	24.0	25.0	34.0		MC-16-375N	SMC-16-375N
16	1/2	19.0	11.9	24.0	25.0	38.9		MC-16-500N	SMC-16-500N
16	3/4	19.0	12.7	28.0	25.0	40.4		MC-16-750N	SMC-16-750N
18	1/2	19.0	11.9	27.0	30.0	40.4		MC-18-500N	SMC-18-500N
18	3/4	19.0	15.1	28.0	30.0	40.4		MC-18-750N	SMC-18-750N
20	1/2	19.0	11.9	30.0	32.0	42.2		MC-20-500N	SMC-20-500N
20	3/4	19.0	15.9	30.0	32.0	42.2		MC-20-750N	SMC-20-750N
22	3/4	19.0	15.9	30.0	32.0	42.2		MC-22-750N	SMC-22-750N
22	1	23.9	18.3	35.0	32.0	47.0		MC-22-1000N	SMC-22-1000N
25	1/2	19.0	11.9	35.0	38.0	45.2		MC-25-500N	SMC-25-500N
25	3/4	19.0	15.9	35.0	38.0	45.2		MC-25-750N	SMC-25-750N
25	1	23.9	21.8	35.0	38.0	50.0		MC-25-1000N	SMC-25-1000N

## MALE CONNECTOR (ISO Tapered Thread)

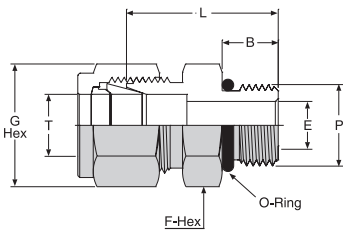
For Metric tube to Female ISO Tapered pipe thread connection



TUBE OD	BSPT MALE THREAD	DIMENSIONS IN MM					PART NO.	
		T	P	B	E	F	G	L
3	1/8	9.7	2.4	12.0	12.0	23.9	MC-3-125RT	SMC-3-125RT
3	1/4	14.3	2.4	14.0	12.0	29.0	MC-3-250RT	SMC-3-250RT
4	1/8	9.7	2.4	12.0	12.0	24.6	MC-4-125RT	SMC-4-125RT
4	1/4	14.3	2.4	14.0	12.0	29.7	MC-4-250RT	SMC-4-250RT
6	1/8	9.7	4.8	14.0	14.0	25.4	MC-6-125RT	SMC-6-125RT
6	1/4	14.3	4.8	14.0	14.0	30.5	MC-6-250RT	SMC-6-250RT
6	3/8	14.3	4.8	18.0	14.0	31.0	MC-6-375RT	SMC-6-375RT
6	1/2	19.0	4.8	22.0	14.0	37.3	MC-6-500RT	SMC-6-500RT
8	1/8	9.7	4.8	14.0	16.0	26.7	MC-8-125RT	SMC-8-125RT
8	1/4	14.3	6.4	14.0	16.0	31.2	MC-8-250RT	SMC-8-250RT
8	3/8	14.3	6.4	18.0	16.0	31.8	MC-8-375RT	SMC-8-375RT
8	1/2	19.0	6.4	22.0	16.0	38.1	MC-8-500RT	SMC-8-500RT
10	1/8	9.7	4.8	18.0	19.0	28.7	MC-10-125RT	SMC-10-125RT
10	1/4	14.3	7.9	18.0	19.0	33.3	MC-10-250RT	SMC-10-250RT
10	3/8	14.3	7.9	18.0	19.0	33.3	MC-10-375RT	SMC-10-375RT
10	1/2	19.0	7.9	22.0	19.0	38.9	MC-10-500RT	SMC-10-500RT
12	1/8	9.7	4.8	22.0	22.0	28.7	MC-12-125RT	SMC-12-125RT
12	1/4	14.3	7.1	22.0	22.0	33.3	MC-12-250RT	SMC-12-250RT
12	3/8	14.3	9.5	22.0	22.0	33.3	MC-12-375RT	SMC-12-375RT
12	1/2	19.0	9.5	22.0	22.0	38.9	MC-12-500RT	SMC-12-500RT
12	3/4	19.0	9.5	27.0	22.0	40.4	MC-12-750RT	SMC-12-750RT
15	1/2	19.0	11.9	24.0	25.0	38.9	MC-15-500RT	SMC-15-500RT
16	1/4	14.3	7.1	24.0	25.0	34.0	MC-16-250RT	SMC-16-250RT
16	3/8	14.3	9.5	24.0	25.0	34.0	MC-16-375RT	SMC-16-375RT
16	1/2	19.0	11.9	24.0	25.0	38.9	MC-16-500RT	SMC-16-500RT
16	3/4	19.0	12.7	28.0	25.0	40.4	MC-16-750RT	SMC-16-750RT
18	1/2	19.0	11.9	27.0	30.0	40.4	MC-18-500RT	SMC-18-500RT
18	3/4	19.0	15.1	28.0	30.0	40.4	MC-18-750RT	SMC-18-750RT
20	1/2	19.0	11.9	30.0	32.0	42.2	MC-20-500RT	SMC-20-500RT
20	3/4	19.0	15.9	30.0	32.0	42.2	MC-20-750RT	SMC-20-750RT
22	3/4	19.0	15.9	30.0	32.0	42.2	MC-22-750RT	SMC-22-750RT
22	1	23.9	18.3	35.0	32.0	47.0	MC-22-1000RT	SMC-22-1000RT
25	3/4	19.0	15.9	35.0	38.0	45.2	MC-25-750RT	SMC-25-750RT
25	1	23.9	21.8	35.0	38.0	50.0	MC-25-1000RT	SMC-25-1000RT

## MALE CONNECTOR (SAE/MS Straight Thread)

For Fractional Tube To SAE/MS Female Straight Thread Boss connection

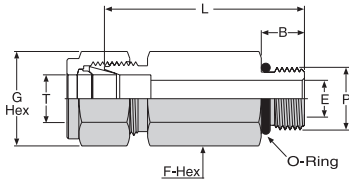


TUBE OD	SAE/MS STRAIGHT THREAD	DIMENSIONS IN INCH					Uniform Size Number	PART NO.	
		T	P	B	E	F		G	L
1/8	5/16-24	0.30	0.09	7/16	7/16	0.92	-902	MC-125-312SE	SMC-125-312SE
1/8	7/16-20	0.36	0.09	9/16	7/16	0.98	-904	MC-125-437SE	SMC-125-437SE
1/8	9/16-18	0.39	0.09	11/16	7/16	1.05	-906	MC-125-562SE	SMC-125-562SE
1/4	7/16-20	0.36	0.19	9/16	9/16	1.05	-904	MC-250-437SE	SMC-250-437SE
1/4	9/16-18	0.39	0.19	11/16	9/16	1.11	-906	MC-250-562SE	SMC-250-562SE
1/4	3/4-16	0.44	0.19	7/8	9/16	1.19	-908	MC-250-750SE	SMC-250-750SE
1/4	7/8-14	0.50	0.19	1	9/16	1.31	-910	MC-250-875SE	SMC-250-875SE
5/16	1/2-20	0.36	0.25	5/8	5/8	1.08	-905	MC-312-500SE	SMC-312-500SE
3/8	7/16-20	0.36	0.20	5/8	11/16	1.11	-904	MC-375-437SE	SMC-375-437SE
3/8	9/16-18	0.39	0.28	11/16	11/16	1.17	-906	MC-375-562SE	SMC-375-562SE
3/8	3/4-16	0.44	0.28	7/8	11/16	1.25	-908	MC-375-750SE	SMC-375-750SE
3/8	7/8-14	0.50	0.28	1	11/16	1.37	-910	MC-375-875SE	SMC-375-875SE
1/2	9/16-18	0.39	0.28	13/16	7/8	1.14	-906	MC-500-562SE	SMC-500-562SE
1/2	3/4-16	0.44	0.41	7/8	7/8	1.25	-908	MC-500-750SE	SMC-500-750SE
1/2	7/8-14	0.50	0.41	1	7/8	1.37	-910	MC-500-875SE	SMC-500-875SE
1/2	1 1/16-12	0.59	0.41	1 1/4	7/8	1.53	-912	MC-500-1062SE	SMC-500-1062SE
5/8	3/4-16	0.44	0.42	15/16	1	1.25	-908	MC-625-750SE	SMC-625-750SE
5/8	7/8-14	0.50	0.50	1	1	1.38	-910	MC-625-875SE	SMC-625-875SE
3/4	3/4-16	0.44	0.42	1 1/16	1 1/8	1.41	-908	MC-750-750SE	SMC-750-750SE
3/4	1 1/16-12	0.59	0.62	1 1/4	1 1/8	1.53	-912	MC-750-1062SE	SMC-750-1062SE
7/8	1 3/16-12	0.59	0.72	1 3/8	1 1/4	1.53	-914	MC-875-1187SE	SMC-875-1187SE
1	1 1/16-12	0.59	0.66	1 3/8	1 1/2	1.62	-912	MC-1000-1062SE	SMC-1000-1062SE
1	1 5/16-12	0.59	0.88	1 1/2	1 1/2	1.66	-916	MC-1000-1312SE	SMC-1000-1312SE

'O' Ring is viton®

## LONG MALE CONNECTOR

(SAE/MS straight thread)



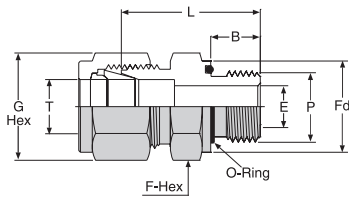
For fractional tube to SAE/MS straight thread Boss connection

TUBE OD	SAE/MS STRAIGHT THREAD	DIMENSIONS IN INCH						Uniform Size Number	PART NO.	
		T	P	B	E	F	G		L	O-Ring
1/4	7/16-20	0.36	0.19	9/16	9/16	1.97	-904	LMC-250-437SE	SLMC-250-437SE	
5/16	1/2-20	0.36	0.25	5/8	5/8	2.03	-905	LMC-312-500SE	SLMC-312-500SE	
3/8	9/16-18	0.39	0.28	11/16	11/16	2.19	-906	LMC-375-562SE	SLMC-375-562SE	
1/2	3/4-16	0.44	0.41	7/8	7/8	2.58	-908	LMC-500-750SE	SLMC-500-750SE	
5/8	7/8-14	0.50	0.50	1	1	2.94	-910	LMC-625-875SE	SLMC-625-875SE	
3/4	1 1/16-12	0.59	0.62	1 1/4	1 1/8	3.48	-912	LMC-750-1062SE	SLMC-750-1062SE	
7/8	1 3/16-12	0.59	0.72	1 3/8	1 1/4	3.67	-914	LMC-875-1187SE	SLMC-875-1187SE	
1	1 5/16-12	0.59	0.88	1 1/2	1 1/2	3.86	-916	LMC-1000-1312SE	SLMC-1000-1312SE	

'O' Ring material is viton®

## MALE CONNECTOR

(EO-Seal Straight Thread)



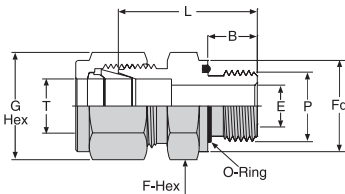
For fractional tube to SAE/MS female Straight thread connection

TUBE OD	SAE/MS STRAIGHT THREAD	DIMENSIONS IN INCH							Uniform Size Number	PART NO.	
		T	P	B	E	F	Fd	G		L	O-Ring
1/8	5/16-24	0.34	0.09	9/16	0.55	7/16	1.03	-011	OMC-125-312SE	SOMC-125-312SE	
3/16	3/8-24	0.38	0.12	5/8	0.62	1/2	1.09	-012	OMC-187-375SE	SOMC-187-375SE	
1/4	7/16-20	0.41	0.19	3/4	0.74	9/16	1.22	-013	OMC-250-437SE	SOMC-250-437SE	
5/16	1/2-20	0.44	0.25	7/8	0.86	5/8	1.31	-112	OMC-312-500SE	SOMC-312-500SE	
3/8	9/16-18	0.47	0.28	15/16	0.93	11/16	1.38	-113	OMC-375-562SE	SOMC-375-562SE	
1/2	3/4-16	0.47	0.41	1 1/8	1.12	7/8	1.41	-116	OMC-500-750SE	SOMC-500-750SE	
1/2	1 1/16-12	0.56	0.62	1 1/2	1.49	1 1/8	1.66	-121	OMC-750-1062SE	SOMC-750-1062SE	
1	1 5/16-12	0.56	0.88	1 3/4	1.74	1 1/2	1.81	-125	OMC-1000-1312SE	SOMC-1000-1312SE	

'O' Ring material is viton®

## MALE CONNECTOR

(EO-Seal ISO Parallel Thread)



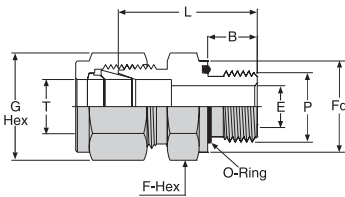
For fractional tube to Female ISO Parallel pipe thread connection

TUBE OD	BSPP MALE THREAD	DIMENSIONS IN INCH							PART NO.	
		T	P	B	E	F	Fd	G	L	Well-Lok™
1/4	1/4	0.47	0.19	3/4	0.74	9/16	1.19	OMC-250-250EO	SOMC-250-250EO	
1/4	1/2	0.55	0.19	1 1/16	1.04	9/16	1.38	OMC-250-500EO	SOMC-250-500EO	
3/8	3/8	0.47	0.28	7/8	0.86	11/16	1.31	OMC-375-375EO	SOMC-375-375EO	
1/2	1/4	0.47	0.25	13/16	0.74	7/8	1.31	OMC-500-250EO	SOMC-500-250EO	
1/2	3/8	0.47	0.31	7/8	0.86	7/8	1.31	OMC-500-375EO	SOMC-500-375EO	
1/2	1/2	0.55	0.41	1 1/16	1.04	7/8	1.47	OMC-500-500EO	SOMC-500-500EO	
3/4	3/4	0.63	0.63	1 5/16	1.25	1 1/8	1.59	OMC-750-750EO	SOMC-750-750EO	

'O' Ring material is viton®

## MALE CONNECTOR

(EO-Seal ISO Parallel Thread)



For Metric tube to female ISO Parallel pipe thread connection

TUBE OD	BSPP MALE THREAD	DIMENSIONS IN MM						PART NO.	
		T	P	B	E	F	Fd	G	L
6	1/8	7.9	4.0	14.0	13.7	14.0	25.0	OMC-6-125EO	SOMC-6-125EO
6	1/4	11.9	4.8	19.0	18.8	14.0	30.7	OMC-6-250EO	SOMC-6-250EO
6	3/8	11.9	4.8	22.0	21.8	14.0	32.0	OMC-6-375EO	SOMC-6-375EO
6	1/2	14.0	4.8	27.0	26.4	14.0	37.0	OMC-6-500EO	SOMC-6-500EO
10	1/4	11.9	5.9	19.0	18.8	19.0	32.3	OMC-10-250EO	SOMC-10-250EO
10	3/8	11.9	7.9	22.0	21.8	19.0	38.1	OMC-10-375EO	SOMC-10-375EO
10	1/2	14.0	7.9	27.0	26.4	19.0	38.4	OMC-10-500EO	SOMC-10-500EO
12	1/4	11.9	5.9	22.0	18.8	22.0	33.0	OMC-12-250EO	SOMC-12-250EO
12	3/8	11.9	7.9	22.0	21.8	22.0	33.5	OMC-12-375EO	SOMC-12-375EO
12	1/2	14.0	9.5	27.0	26.4	22.0	38.4	OMC-12-500EO	SOMC-12-500EO

'O' Ring material is viton®

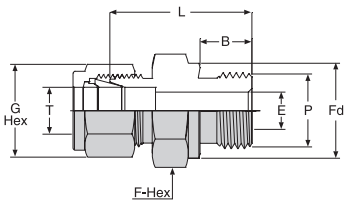
## MALE CONNECTOR

(ISO Parallel Thread-RP)



For fractional Tube to Female ISO Parallel pipe thread connection

TUBE OD	BSPP MALE THREAD	DIMENSIONS IN INCH						PART NO.	
		T	P	B	E	F	Fd	G	L
1/8	1/8	0.28	0.09	9/16	0.54	7/16	0.92	MC-125-125RP	SMC-125-125RP
1/8	1/4	0.44	0.09	3/4	0.71	7/16	1.13	MC-125-250RP	SMC-125-250RP
1/4	1/8	0.28	0.19	9/16	0.54	9/16	0.98	MC-250-125RP	SMC-250-125RP
1/4	1/4	0.44	0.19	3/4	0.71	9/16	1.19	MC-250-250RP	SMC-250-250RP
1/2	1/2	0.56	0.41	1 1/16	1.02	7/8	1.53	MC-500-500RP	SMC-500-500RP



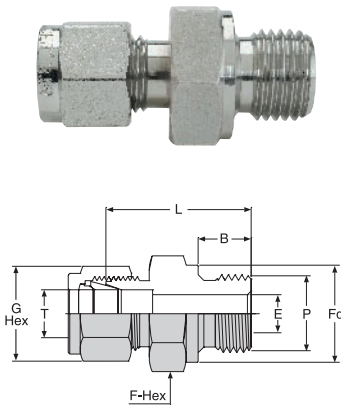
For metric Tube to Female ISO Parallel pipe thread connection

TUBE OD	BSPP MALE THREAD	DIMENSIONS IN MM						PART NO.	
		T	P	B	E	F	Fd	G	L
3	1/8	7.1	2.4	14.0	13.8	11.0	23.4	MC-3-125RP	SMC-3-125RP
3	1/4	11.2	2.4	19.0	18.0	11.0	28.7	MC-3-250RP	SMC-3-250RP
4	1/8	7.1	2.4	14.0	13.8	12.0	24.1	MC-4-125RP	SMC-4-125RP
6	1/8	7.1	4.0	14.0	13.8	14.0	24.9	MC-6-125RP	SMC-6-125RP
6	1/4	11.2	4.8	19.0	18.0	14.0	30.2	MC-6-250RP	SMC-6-250RP
6	3/8	11.2	4.8	22.0	21.8	14.0	31.5	MC-6-375RP	SMC-6-375RP
6	1/2	14.2	4.8	27.0	26.0	14.0	37.3	MC-6-500RP	SMC-6-500RP
8	1/8	7.1	4.0	16.0	13.8	16.0	25.7	MC-8-125RP	SMC-8-125RP
8	1/4	11.2	6.4	19.0	18.0	16.0	31.0	MC-8-250RP	SMC-8-250RP
8	3/8	11.2	6.4	22.0	21.8	16.0	32.3	MC-8-375RP	SMC-8-375RP
8	1/2	14.2	6.4	27.0	26.0	16.0	38.1	MC-8-500RP	SMC-8-500RP
10	1/4	11.2	5.9	19.0	18.0	19.0	31.8	MC-10-250RP	SMC-10-250RP
10	3/8	11.2	7.9	22.0	21.8	19.0	33.0	MC-10-375RP	SMC-10-375RP
10	1/2	14.2	7.9	27.0	26.0	19.0	38.9	MC-10-500RP	SMC-10-500RP
12	1/4	11.2	5.9	22.0	18.0	22.0	32.5	MC-12-250RP	SMC-12-250RP
12	3/8	11.2	7.9	22.0	21.8	22.0	33.0	MC-12-375RP	SMC-12-375RP
12	1/2	14.2	9.5	27.0	26.0	22.0	38.9	MC-12-500RP	SMC-12-500RP
12	3/4	15.7	9.5	35.0	32.0	22.0	42.7	MC-12-750RP	SMC-12-750RP
15	1/2	14.2	11.9	27.0	26.0	25.0	38.9	MC-15-500RP	SMC-15-500RP
16	3/8	11.2	7.9	24.0	21.8	25.0	33.8	MC-16-375RP	SMC-16-375RP
16	1/2	14.2	11.9	27.0	26.0	25.0	38.9	MC-16-500RP	SMC-16-500RP
18	1/2	14.2	11.9	27.0	26.0	30.0	38.9	MC-18-500RP	SMC-18-500RP
18	3/4	15.7	15.1	35.0	32.0	30.0	42.7	MC-18-750RP	SMC-18-750RP
20	1/2	14.2	11.9	30.0	26.0	32.0	40.4	MC-20-500RP	SMC-20-500RP
20	3/4	15.7	15.9	35.0	32.0	32.0	42.7	MC-20-750RP	SMC-20-750RP
22	3/4	15.7	15.9	35.0	32.0	32.0	42.7	MC-22-750RP	SMC-22-750RP
22	1	18.3	18.3	41.0	39.0	32.0	45.2	MC-22-1000RP	SMC-22-1000RP
25	3/4	15.7	15.9	35.0	32.0	38.0	45.2	MC-25-750RP	SMC-25-750RP
25	1	18.3	19.8	41.0	39.0	38.0	47.8	MC-25-1000RP	SMC-25-1000RP

Sealing Flat Gasket are used with RP Parallel thread  
Refer page no. 44 for more information

## MALE CONNECTOR (ISO Parallel Thread -RS)

For fractional Tube to female ISO parallel pipe thread connection



TUBE OD	BSPP MALE THREAD	DIMENSIONS IN INCH						PART NO.	
		B	E	F	Fd	G	L	Well-Lok™	Fine-Lok™
1/8	1/8	0.28	0.09	9/16	0.54	7/16	0.92	MC-125-125RS	SMC-125-125RS
1/8	1/4	0.44	0.09	3/4	0.71	7/16	1.13	MC-125-250RS	SMC-125-250RS
1/8	3/8	0.44	0.09	7/8	0.86	7/16	1.17	MC-125-375RS	SMC-125-375RS
1/4	1/8	0.28	0.16	9/16	0.54	9/16	0.98	MC-250-125RS	SMC-250-125RS
1/4	1/4	0.44	0.19	3/4	0.71	9/16	1.19	MC-250-250RS	SMC-250-250RS
1/4	3/8	0.44	0.19	7/8	0.86	9/16	1.24	MC-250-375RS	SMC-250-375RS
1/4	1/2	0.56	0.19	1 <sup>1</sup> / <sub>16</sub>	1.02	9/16	1.47	MC-250-500RS	SMC-250-500RS
3/8	1/4	0.44	0.23	3/4	0.71	11/16	1.25	MC-375-250RS	SMC-375-250RS
3/8	3/8	0.44	0.28	7/8	0.86	11/16	1.30	MC-375-375RS	SMC-375-375RS
3/8	1/2	0.56	0.28	1 <sup>1</sup> / <sub>16</sub>	1.02	11/16	1.53	MC-375-500RS	SMC-375-500RS
1/2	1/4	0.44	0.23	13/16	0.71	7/8	1.28	MC-500-250RS	SMC-500-250RS
1/2	3/8	0.44	0.31	7/8	0.86	7/8	1.30	MC-500-375RS	SMC-500-375RS
1/2	1/2	0.56	0.41	1 <sup>1</sup> / <sub>16</sub>	1.02	7/8	1.53	MC-500-500RS	SMC-500-500RS
3/4	1/2	0.56	0.47	1 <sup>1</sup> / <sub>16</sub>	1.02	1 <sup>1</sup> / <sub>8</sub>	1.53	MC-750-500RS	SMC-750-500RS
3/4	3/4	0.62	0.62	1 <sup>5</sup> / <sub>16</sub>	1.26	1 <sup>1</sup> / <sub>8</sub>	1.68	MC-750-750RS	SMC-750-750RS
1	1/2	0.56	0.47	1 <sup>3</sup> / <sub>8</sub>	1.02	1 <sup>1</sup> / <sub>2</sub>	1.72	MC-1000-500RS	SMC-1000-500RS
1	1	0.72	0.78	1 <sup>5</sup> / <sub>8</sub>	1.54	1 <sup>1</sup> / <sub>2</sub>	1.88	MC-1000-1000RS	SMC-1000-1000RS

For metric Tube to female ISO parallel pipe thread connection

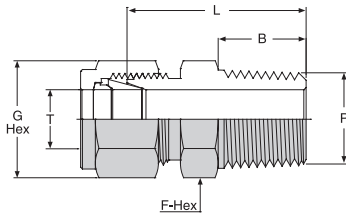
TUBE OD	BSPP MALE THREAD	DIMENSIONS IN MM						PART NO.	
		B	E	F	Fd	G	L	Well-Lok™	Fine-Lok™
3	1/8	7.1	2.4	14.0	13.8	11.0	23.4	MC-3-125RS	SMC-3-125RS
3	1/4	11.2	2.4	19.0	13.8	11.0	28.7	MC-3-250RS	SMC-3-250RS
4	1/8	7.1	2.4	14.0	18.0	12.0	24.1	MC-4-125RS	SMC-4-125RS
6	1/8	7.1	4.0	14.0	13.8	14.0	24.9	MC-6-125RS	SMC-6-125RS
6	1/4	11.2	4.8	19.0	13.8	14.0	30.2	MC-6-250RS	SMC-6-250RS
6	3/8	11.2	4.8	22.0	18.0	14.0	31.5	MC-6-375RS	SMC-6-375RS
6	1/2	14.2	4.8	27.0	21.8	14.0	37.3	MC-6-500RS	SMC-6-500RS
8	1/8	7.1	4.0	14.0	26.0	16.0	25.7	MC-8-125RS	SMC-8-125RS
8	1/4	11.2	6.4	19.0	13.8	16.0	31.0	MC-8-250RS	SMC-8-250RS
8	3/8	11.2	6.4	22.0	18.0	16.0	32.3	MC-8-375RS	SMC-8-375RS
8	1/2	14.2	6.4	27.0	21.8	16.0	38.1	MC-8-500RS	SMC-8-500RS
10	1/4	11.2	5.9	19.0	26.0	19.0	31.8	MC-10-250RS	SMC-10-250RS
10	3/8	11.2	7.9	22.0	18.0	19.0	33.0	MC-10-375RS	SMC-10-375RS
10	1/2	14.2	7.9	27.0	21.8	19.0	38.9	MC-10-500RS	SMC-10-500RS
12	1/4	11.2	5.9	22.0	26.0	22.0	32.5	MC-12-250RS	SMC-12-250RS
12	3/8	11.2	7.9	22.0	18.0	22.0	33.0	MC-12-375RS	SMC-12-375RS
12	1/2	14.2	9.5	27.0	21.8	22.0	38.9	MC-12-500RS	SMC-12-500RS
12	3/4	15.7	9.5	35.0	26.0	22.0	42.7	MC-12-750RS	SMC-12-750RS
16	3/8	11.2	7.9	24.0	32.0	25.0	33.8	MC-16-375RS	SMC-16-375RS
16	1/2	14.2	11.9	27.0	21.8	25.0	38.9	MC-16-500RS	SMC-16-500RS
18	1/2	14.2	11.9	27.0	26.0	30.0	38.9	MC-18-500RS	SMC-18-500RS
18	3/4	15.7	15.1	35.0	26.0	30.0	42.7	MC-18-750RS	SMC-18-750RS
20	1/2	14.2	11.9	27.0	21.0	32.0	40.4	MC-20-500RS	SMC-20-500RS
20	3/4	15.7	15.9	35.0	26.0	32.0	42.7	MC-20-750RS	SMC-20-750RS
22	3/4	15.7	15.9	35.0	32.0	32.0	42.7	MC-22-750RS	SMC-22-750RS
22	1	18.3	18.3	41.0	32.0	32.0	45.2	MC-22-1000RS	SMC-22-1000RS
25	3/4	15.7	15.9	35.0	39.0	38.0	45.2	MC-25-750RS	SMC-25-750RS
25	1	18.3	19.8	41.0	32.0	38.0	47.8	MC-25-1000RS	SMC-25-1000RS

Sealing Gasket having bonded elastomer seal are used with RS Parallel thread refer page no. 44 for more information



## THERMOCOUPLE MALE CONNECTOR

(Tapered Thread)

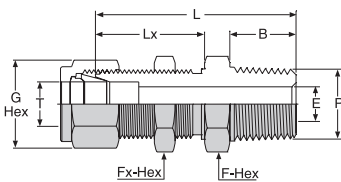


For fractional Tube to female NPT thread connection

TUBE OD	NPT MALE THREAD	DIMENSIONS IN INCH					PART NO.	
		T	P	B	F	G	L	Well-Lok™
1/8	1/8	0.38	7/16	7/16	0.94	BTMC-125-125N	SBTMC-125-125N	
1/8	1/4	0.56	9/16	7/16	1.14	BTMC-125-250N	SBTMC-125-250N	
3/16	1/8	0.38	7/16	1/2	0.97	BTMC-187-125N	SBTMC-187-125N	
3/16	1/4	0.56	9/16	1/2	1.17	BTMC-187-250N	SBTMC-187-250N	
1/4	1/8	0.38	1/2	9/16	1.00	BTMC-250-125N	SBTMC-250-125N	
1/4	1/4	0.56	9/16	9/16	1.20	BTMC-250-250N	SBTMC-250-250N	
1/4	3/8	0.56	11/16	9/16	1.22	BTMC-250-375N	SBTMC-250-375N	
1/4	1/2	0.75	7/8	9/16	1.47	BTMC-250-500N	SBTMC-250-500N	
5/16	1/4	0.56	9/16	5/8	1.23	BTMC-312-250N	SBTMC-312-250N	
3/8	1/4	0.56	5/8	11/16	1.28	BTMC-375-250N	SBTMC-375-250N	
3/8	3/8	0.56	11/16	11/16	1.28	BTMC-375-375N	SBTMC-375-375N	
3/8	1/2	0.75	7/8	11/16	1.53	BTMC-375-500N	SBTMC-375-500N	
3/8	3/4	0.75	1 1/16	11/16	1.59	BTMC-375-750N	SBTMC-375-750N	
1/2	1/2	0.75	7/8	7/8	1.53	BTMC-500-500N	SBTMC-500-500N	
1/2	3/4	0.75	1 1/8	7/8	1.59	BTMC-500-750N	SBTMC-500-750N	
5/8	3/4	0.75	1 1/8	1	1.59	BTMC-625-750N	SBTMC-625-750N	
3/4	3/4	0.75	1 1/8	1 1/8	1.59	BTMC-750-750N	SBTMC-750-750N	
1	1	0.94	1 3/8	1 1/2	1.97	BTMC-1000-1000N	SBTMC-1000-1000N	

## BULKHEAD MALE CONNECTOR

(Tapered Thread)



For fractional Tube to female NPT thread connection

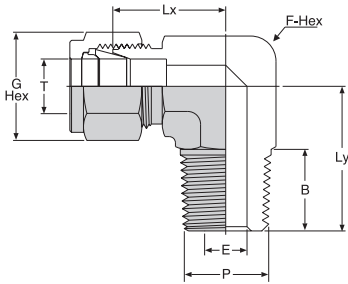
TUBE OD	NPT MALE THREAD	DIMENSIONS IN INCH								Panel Hole Size	Panel Thickness Max.	PART NO.	
		T	P	B	E	F	Fx	G	L			Lx	Well-Lok™
1/8	1/8	0.38	0.09	1/2	1/2	7/16	1.57	0.97	21/64	0.5	BMC-125-125N	SBMC-125-125N	
3/16	1/8	0.38	0.12	9/16	9/16	7/16	1.63	1.00	25/64	0.5	BMC-187-125N	SBMC-187-125N	
1/4	1/8	0.38	0.19	5/8	5/8	9/16	1.66	1.03	29/64	0.4	BMC-250-125N	SBMC-250-125N	
1/4	1/4	0.56	0.19	5/8	5/8	9/16	1.84	1.03	29/64	0.4	BMC-250-250N	SBMC-250-250N	
1/4	3/8	0.56	0.19	11/16	5/8	9/16	1.87	1.02	29/64	0.4	BMC-250-375N	SBMC-250-375N	
1/4	1/2	0.75	0.19	7/8	5/8	9/16	2.08	1.02	29/64	0.4	BMC-250-500N	SBMC-250-500N	
5/16	1/8	0.38	0.19	11/16	11/16	5/8	1.78	1.12	33/64	0.44	BMC-312-125N	SBMC-312-125N	
5/16	1/4	0.56	0.25	11/16	11/16	5/8	1.97	1.12	33/64	0.44	BMC-312-250N	SBMC-312-250N	
3/8	1/8	0.38	0.19	3/4	3/4	11/16	1.79	1.15	37/64	0.44	BMC-375-125N	SBMC-375-125N	
3/8	1/4	0.56	0.28	3/4	3/4	11/16	1.97	1.16	37/64	0.44	BMC-375-250N	SBMC-375-250N	
3/8	3/8	0.56	0.28	3/4	3/4	11/16	1.97	1.16	37/64	0.44	BMC-375-375N	SBMC-375-375N	
3/8	1/2	0.75	0.28	7/8	3/4	11/16	2.22	1.16	37/64	0.44	BMC-375-500N	SBMC-375-500N	
1/2	1/4	0.56	0.28	15/16	15/16	7/8	2.09	1.25	49/64	0.5	BMC-500-250N	SBMC-500-250N	
1/2	3/8	0.56	0.38	15/16	15/16	7/8	2.09	1.25	49/64	0.5	BMC-500-375N	SBMC-500-375N	
1/2	1/2	0.75	0.41	15/16	15/16	7/8	2.31	1.25	49/64	0.5	BMC-500-500N	SBMC-500-500N	
1/2	3/4	0.75	0.41	1 1/8	15/16	7/8	2.32	1.25	49/64	0.5	BMC-500-750N	SBMC-500-750N	
5/8	3/8	0.56	0.38	1 1/16	1 1/16	1	2.23	1.28	57/64	0.5	BMC-625-375N	SBMC-625-375N	
5/8	1/2	0.75	0.47	1 1/16	1 1/16	1	2.41	1.28	57/64	0.5	BMC-625-500N	SBMC-625-500N	
3/4	1/2	0.75	0.47	1 3/16	1 3/16	1 1/8	2.60	1.47	1 1/64	0.66	BMC-750-500N	SBMC-750-500N	
3/4	3/4	0.75	0.62	1 3/16	1 3/16	1 1/8	2.60	1.47	1 1/64	0.66	BMC-750-750N	SBMC-750-750N	
7/8	3/4	0.75	0.62	1 3/8	1 3/8	1 1/4	2.91	1.69	1 9/64	0.66	BMC-875-750N	SBMC-875-750N	
1	3/4	0.75	0.62	1 5/8	1 5/8	1 1/2	3.00	1.78	1 21/64	0.75	BMC-1000-750N	SBMC-1000-750N	
1	1	0.94	0.88	1 5/8	1 5/8	1 1/2	3.19	1.78	1 21/64	0.75	BMC-1000-1000N	SBMC-1000-1000N	

For metric Tube to female NPT thread connection

TUBE OD	NPT MALE THREAD	DIMENSIONS IN MM								Panel Hole Size	Panel Thickness Max.	PART NO.	
		T	P	B	E	F	Fx	G	L			Lx	Well-Lok™
6	1/8	9.7	4.8	16.0	16.0	14.0	42.1	26.2	11.5	10.2	BMC-6-125N	SBMC-6-125N	
6	1/4	14.2	4.8	16.0	16.0	14.0	46.0	26.2	11.5	10.2	BMC-6-250N	SBMC-6-250N	
8	1/8	9.7	4.8	18.0	18.0	16.0	44.8	28.5	13.1	11.2	BMC-8-125N	SBMC-8-125N	
8	1/4	14.2	6.4	18.0	18.0	16.0	50.0	28.5	13.1	11.2	BMC-8-250N	SBMC-8-250N	
10	1/4	14.2	7.1	22.0	22.0	19.0	50.8	29.4	16.3	11.2	BMC-10-250N	SBMC-10-250N	
10	3/8	14.2	7.9	22.0	22.0	19.0	50.8	29.4	16.3	11.2	BMC-10-375N	SBMC-10-375N	
10	1/2	19.0	7.9	22.0	22.0	19.0	55.5	29.4	16.3	11.2	BMC-10-500N	SBMC-10-500N	
12	1/4	14.2	7.1	24.0	24.0	22.0	53.2	31.8	19.5	12.7	BMC-12-250N	SBMC-12-250N	
12	3/8	14.2	9.5	24.0	24.0	22.0	54.4	31.8	19.5	12.7	BMC-12-375N	SBMC-12-375N	
12	1/2	19.0	9.5	24.0	24.0	22.0	57.4	31.8	19.5	12.7	BMC-12-500N	SBMC-12-500N	

## MALE ELBOW

(Tapered Thread)



For fractional Tube to female NPT thread connection

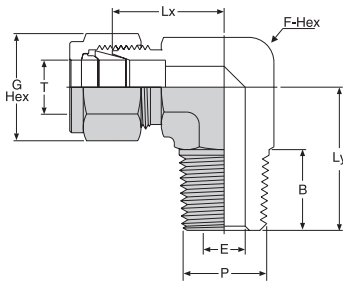
TUBE OD	NPT MALE THREAD	DIMENSIONS IN INCH						PART NO.	
		T	P	B	E	F	G	Lx	Ly
1/8	1/8	0.38	0.09	7/16	7/16	0.67	0.70	ME-125-125N	SME-125-125N
1/8	1/4	0.56	0.09	9/16	7/16	0.71	0.92	ME-125-250N	SME-125-250N
3/16	1/8	0.38	0.12	1/2	1/2	0.74	0.74	ME-187-125N	SME-187-125N
3/16	1/4	0.56	0.12	9/16	1/2	0.74	0.92	ME-187-250N	SME-187-250N
1/4	1/8	0.38	0.19	1/2	9/16	0.77	0.74	ME-250-125N	SME-250-125N
1/4	1/4	0.56	0.19	9/16	9/16	0.77	0.92	ME-250-250N	SME-250-250N
1/4	3/8	0.56	0.19	11/16	9/16	0.88	1.03	ME-250-375N	SME-250-375N
1/4	1/2	0.75	0.19	7/8	9/16	0.96	1.30	ME-250-500N	SME-250-500N
5/16	1/8	0.38	0.19	9/16	5/8	0.84	0.78	ME-312-125N	SME-312-125N
5/16	1/4	0.56	0.25	9/16	5/8	0.84	0.96	ME-312-250N	SME-312-250N
5/16	3/8	0.56	0.25	11/16	5/8	0.91	1.03	ME-312-375N	SME-312-375N
3/8	1/8	0.38	0.19	5/8	11/16	0.91	0.82	ME-375-125N	SME-375-125N
3/8	1/4	0.56	0.28	5/8	11/16	0.91	1.00	ME-375-250N	SME-375-250N
3/8	3/8	0.56	0.28	11/16	11/16	0.94	1.03	ME-375-375N	SME-375-375N
3/8	1/2	0.75	0.28	7/8	11/16	1.02	1.30	ME-375-500N	SME-375-500N
3/8	3/4	0.75	0.28	1 1/8	11/16	1.17	1.45	ME-375-750N	SME-375-750N
1/2	1/4	0.56	0.28	13/16	7/8	1.02	1.11	ME-500-250N	SME-500-250N
1/2	3/8	0.56	0.38	13/16	7/8	1.02	1.11	ME-500-375N	SME-500-375N
1/2	1/2	0.75	0.41	7/8	7/8	1.02	1.30	ME-500-500N	SME-500-500N
1/2	3/4	0.75	0.41	1 1/8	7/8	1.17	1.45	ME-500-750N	SME-500-750N
5/8	3/8	0.56	0.38	15/16	1	1.10	1.19	ME-625-375N	SME-625-375N
5/8	1/2	0.75	0.47	15/16	1	1.10	1.38	ME-625-500N	SME-625-500N
5/8	3/4	0.75	0.50	1 1/8	1	1.17	1.45	ME-625-750N	SME-625-750N
3/4	1/2	0.75	0.47	1 1/16	1 1/8	1.17	1.45	ME-750-500N	SME-750-500N
3/4	3/4	0.75	0.62	1 1/8	1 1/8	1.17	1.45	ME-750-750N	SME-750-750N
7/8	3/4	0.75	0.62	1 3/8	1 1/4	1.36	1.64	ME-875-750N	SME-875-750N
1	3/4	0.75	0.62	1 3/8	1 1/2	1.45	1.64	ME-1000-750N	SME-1000-750N
1	1	0.94	0.88	1 3/8	1 1/2	1.45	1.83	ME-1000-1000N	SME-1000-1000N

For metric Tube to female NPT thread connection

TUBE OD	NPT MALE THREAD	DIMENSIONS IN MM						PART NO.	
		T	P	B	E	F	G	Lx	Ly
3	1/8	9.7	2.4	7/16	12.0	17.0	17.8	ME-3-125N	SME-3-125N
3	1/4	14.3	2.4	9/16	12.0	18.0	23.4	ME-3-250N	SME-3-250N
4	1/8	9.7	2.4	1/2	12.0	18.8	18.8	ME-4-125N	SME-4-125N
4	1/4	14.3	2.4	9/16	12.0	18.8	23.4	ME-4-250N	SME-4-250N
6	1/8	9.7	4.8	1/2	14.0	19.6	18.8	ME-6-125N	SME-6-125N
6	1/4	14.3	4.8	9/16	14.0	19.6	23.4	ME-6-250N	SME-6-250N
6	3/8	14.3	4.8	11/16	14.0	22.4	26.2	ME-6-375N	SME-6-375N
6	1/2	19.0	4.8	7/8	14.0	24.4	33.0	ME-6-500N	SME-6-500N
8	1/8	9.7	4.8	9/16	16.0	21.3	19.8	ME-8-125N	SME-8-125N
8	1/4	14.3	6.4	9/16	16.0	21.3	24.4	ME-8-250N	SME-8-250N
8	3/8	14.3	6.4	11/16	16.0	23.1	26.2	ME-8-375N	SME-8-375N
8	1/2	19.0	6.4	7/8	16.0	25.1	33.0	ME-8-500N	SME-8-500N
10	1/4	14.3	7.5	11/16	19.0	23.9	26.2	ME-10-250N	SME-10-250N
10	3/8	14.3	7.9	11/16	19.0	23.9	26.2	ME-10-375N	SME-10-375N
10	1/2	19.0	7.9	7/8	19.0	25.9	33.0	ME-10-500N	SME-10-500N
12	1/4	14.3	7.1	13/16	22.0	25.9	28.2	ME-12-250N	SME-12-250N
12	3/8	14.3	9.5	13/16	22.0	25.9	28.2	ME-12-375N	SME-12-375N
12	1/2	19.0	9.5	7/8	22.0	25.9	33.0	ME-12-500N	SME-12-500N
12	3/4	19.0	9.5	1 1/8	22.0	29.7	36.8	ME-12-750N	SME-12-750N
15	1/2	19.0	11.9	15/16	25.0	27.9	35.1	ME-15-500N	SME-15-500N
16	3/8	14.3	9.5	15/16	25.0	27.9	30.2	ME-16-375N	SME-16-375N
16	1/2	19.0	11.9	15/16	25.0	27.9	35.1	ME-16-500N	SME-16-500N
16	3/4	19.0	12.7	1 1/8	25.0	29.7	36.8	ME-16-750N	SME-16-750N
18	1/2	19.0	11.9	1 1/16	30.0	29.7	36.8	ME-18-500N	SME-18-500N
18	3/4	19.0	15.1	1 1/8	30.0	29.7	36.8	ME-18-750N	SME-18-750N
20	1/2	19.0	11.9	1 1/4	32.0	34.5	41.7	ME-20-500N	SME-20-500N
20	3/4	19.0	15.9	1 1/4	32.0	34.5	41.7	ME-20-750N	SME-20-750N
22	3/4	19.0	15.9	1 1/4	32.0	34.5	41.7	ME-22-750N	SME-22-750N
22	1	23.9	18.3	1 3/8	32.0	34.5	46.5	ME-22-1000N	SME-22-1000N
25	3/4	19.0	15.9	1 3/8	38.0	36.8	41.7	ME-25-750N	SME-25-750N
25	1	23.9	21.8	1 3/8	38.0	36.8	46.5	ME-25-1000N	SME-25-1000N

## MALE ELBOW

(ISO Tapered Thread)



For fractional Tube to female ISO tapered pipe thread connection

TUBE OD	BSPT MALE THREAD	DIMENSIONS IN INCH						PART NO.		
		T	P	B	E	F	G	Lx	Ly	Well-Lok™
1/4	1/8	0.38	0.19	1/2	9/16	9/16	0.77	0.74	ME-250-125RT	SME-250-125RT
1/4	1/4	0.56	0.19	9/16	9/16	9/16	0.77	0.92	ME-250-250RT	SME-250-250RT
1/4	3/8	0.56	0.19	11/16	9/16	9/16	0.88	1.03	ME-250-375RT	SME-250-375RT
1/4	1/2	0.75	0.19	7/8	9/16	9/16	0.96	1.30	ME-250-500RT	SME-250-500RT
5/16	1/4	0.56	0.25	9/16	5/8	5/8	0.84	0.96	ME-312-250RT	SME-312-250RT
3/8	1/4	0.56	0.28	5/8	11/16	11/16	0.91	1.00	ME-375-250RT	SME-375-250RT
3/8	3/8	0.56	0.28	11/16	11/16	11/16	0.94	1.03	ME-375-375RT	SME-375-375RT

For metric Tube to female ISO tapered pipe thread connection

TUBE OD	BSPT MALE THREAD	DIMENSIONS IN MM						PART NO.		
		T	P	B	E	F	G	Lx	Ly	Well-Lok™
3	1/8	9.7	2.4	7/16	12.0	12.0	17.0	17.8	ME-3-125RT	SME-3-125RT
3	1/4	14.3	2.4	9/16	12.0	12.0	18.0	23.4	ME-3-250RT	SME-3-250RT
4	1/8	9.7	2.4	1/2	12.0	12.0	18.8	18.8	ME-4-125RT	SME-4-125RT
4	1/4	14.3	2.4	9/16	12.0	12.0	18.8	23.4	ME-4-250RT	SME-4-250RT
6	1/8	9.7	4.8	1/2	14.0	14.0	19.6	18.8	ME-6-125RT	SME-6-125RT
6	1/4	14.3	4.8	9/16	14.0	14.0	19.6	23.4	ME-6-250RT	SME-6-250RT
6	3/8	14.3	4.8	11/16	14.0	14.0	22.4	26.2	ME-6-375RT	SME-6-375RT
6	1/2	19.0	4.8	7/8	14.0	14.0	24.4	33.0	ME-6-500RT	SME-6-500RT
8	1/8	9.7	4.8	9/16	16.0	16.0	21.3	19.8	ME-8-125RT	SME-8-125RT
8	1/4	14.3	6.4	9/16	16.0	16.0	21.3	24.4	ME-8-250RT	SME-8-250RT
8	3/8	14.3	6.4	11/16	16.0	16.0	23.1	26.2	ME-8-375RT	SME-8-375RT
8	1/2	19.0	6.4	7/8	16.0	16.0	25.1	33.0	ME-8-500RT	SME-8-500RT
10	1/4	14.3	7.1	11/16	19.0	19.0	23.9	26.2	ME-10-250RT	SME-10-250RT
10	3/8	14.3	7.9	11/16	19.0	19.0	23.9	26.2	ME-10-375RT	SME-10-375RT
10	1/2	19.0	7.9	7/8	19.0	19.0	25.9	33.0	ME-10-500RT	SME-10-500RT
12	1/4	14.3	7.1	13/16	22.0	22.0	25.9	28.2	ME-12-250RT	SME-12-250RT
12	3/8	14.3	9.5	13/16	22.0	22.0	25.9	28.2	ME-12-375RT	SME-12-375RT
12	1/2	19.0	9.5	7/8	22.0	22.0	25.9	33.0	ME-12-500RT	SME-12-500RT
12	3/4	19.0	9.5	1 1/8	22.0	22.0	29.7	36.8	ME-12-750RT	SME-12-750RT
16	3/8	14.3	9.5	15/16	25.0	25.0	27.9	30.2	ME-16-375RT	SME-16-375RT
16	1/2	19.0	11.9	15/16	25.0	25.0	27.9	35.1	ME-16-500RT	SME-16-500RT
18	1/2	19.0	11.9	1 1/16	30.0	30.0	29.7	36.8	ME-18-500RT	SME-18-500RT
18	3/4	19.0	15.1	1 1/8	30.0	30.0	29.7	36.8	ME-18-750RT	SME-18-750RT
20	1/2	19.0	11.9	1 1/4	32.0	32.0	34.5	41.7	ME-20-500RT	SME-20-500RT
20	3/4	19.0	15.9	1 1/4	32.0	32.0	34.5	41.7	ME-20-750RT	SME-20-750RT
22	3/4	19.0	15.9	1 1/4	32.0	32.0	34.5	41.7	ME-22-750RT	SME-22-750RT
22	1	23.9	18.3	1 3/8	32.0	32.0	34.5	46.5	ME-22-1000RT	SME-22-1000RT
25	3/4	19.0	15.9	1 3/8	38.0	38.0	36.8	41.7	ME-25-750RT	SME-25-750RT
25	1	23.9	21.8	1 3/8	38.0	38.0	36.8	46.5	ME-25-1000RT	SME-25-1000RT

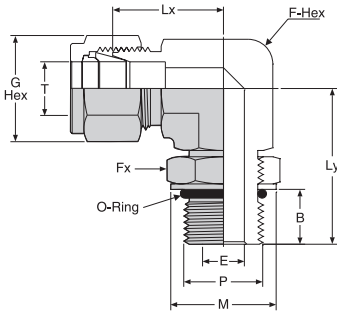
## POSITIONABLE MALE ELBOW (SAE/MS straight thread)



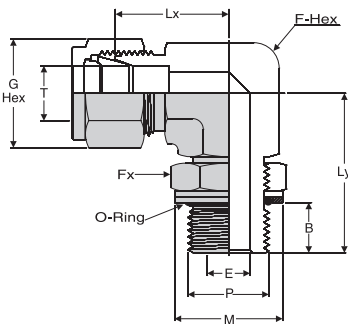
For fractional tube to SAE/MS straight thread boss connection

TUBE OD	SAE/MS STRAIGHT THREAD	DIMENSIONS IN INCH									Uniform Size Number	PART NO.	
		T	P	B	E	F	Fx	G	Lx	Ly		M	O-Ring
1/4	7/16x20	0.39	0.19	1/2	9/16	9/16	0.83	1.12	0.65	-904	MEP-250-437SE	SMEP-250-437SE	
1/4	9/16x18	0.44	0.19	5/8	11/16	9/16	0.91	1.27	0.79	-906	MEP-250-562SE	SMEP-250-562SE	
5/16	1/2x20	0.39	0.23	9/16	5/8	5/8	0.90	1.16	0.72	-905	MEP-312-500SE	SMEP-312-500SE	
3/8	9/16x18	0.44	0.28	5/8	11/16	11/16	0.97	1.27	0.79	-906	MEP-375-562SE	SMEP-375-562SE	
3/8	3/4x16	0.50	0.28	13/16	7/8	11/16	1.08	1.49	1.01	-908	MEP-375-750SE	SMEP-375-750SE	
1/2	3/4x16	0.50	0.41	13/16	7/8	7/8	1.08	1.49	1.01	-908	MEP-500-750SE	SMEP-500-750SE	
5/8	7/8x14	0.56	0.50	15/16	1	1	1.16	1.71	1.16	-910	MEP-625-875SE	SMEP-625-875SE	
3/4	1 1/16x12	0.66	0.62	1 1/16	1 1/4	1 1/8	1.23	1.92	1.44	-912	MEP-750-1062SE	SMEP-750-062SE	
7/8	1 3/16x12	0.66	0.72	1 3/16	1 3/8	1 1/4	1.30	1.99	1.59	-914	MEP-875-1187SE	SMEP-875-1187SE	
1	1 5/16x12	0.66	0.88	1 3/8	1 1/2	1 1/2	1.51	2.11	1.73	-916	MEP-1000-1312SE	SMEP-1000-1312SE	

'O' Ring material is Viton®



## POSITIONABLE MALE ELBOW (ISO parallel thread)



For fractional tube to female ISO parallel pipe thread connection

TUBE OD	BSPP MALE THREAD	DIMENSIONS IN INCH									Uniform Size Number	PART NO.	
		T	P	B	E	F	Fx	G	Lx	Ly		M	O-Ring
1/4	1/8	0.32	0.16	1/2	9/16	9/16	0.77	1.04	0.68	-502	MEP-250-125PR	SMEP-250-125PR	
1/4	1/4	0.36	0.19	5/8	3/4	9/16	0.85	1.27	0.90	-111	MEP-250-250PR	SMEP-250-250PR	
3/8	1/4	0.36	0.23	5/8	3/4	11/16	0.91	1.27	0.90	-111	MEP-375-250PR	SMEP-375-250PR	
3/8	3/8	0.37	0.28	13/16	7/8	11/16	1.02	1.46	1.04	-113	MEP-375-375PR	SMEP-375-375PR	
1/2	1/4	0.36	0.23	13/16	3/4	7/8	1.02	1.38	0.90	-111	MEP-500-250PR	SMEP-500-250PR	
1/2	3/8	0.37	0.31	13/16	7/8	7/8	1.02	1.46	1.04	-113	MEP-500-375PR	SMEP-500-375PR	
1/2	1/2	0.51	0.41	15/16	1 1/16	7/8	1.10	1.71	1.26	-508	MEP-500-500PR	SMEP-500-500PR	
5/8	1/2	0.51	0.47	15/16	1 1/16	1	1.10	1.71	1.26	-508	MEP-625-500PR	SMEP-625-500PR	
3/4	1/2	0.51	0.47	1 1/16	1 1/16	1 1/8	1.17	1.78	1.26	-508	MEP-750-500PR	SMEP-750-500PR	
3/4	3/4	0.51	0.62	1 1/16	1 3/8	1 1/8	1.17	1.92	1.62	-119	MEP-750-750PR	SMEP-750-750PR	
1	3/4	0.51	0.62	1 3/8	1 3/8	1 1/2	1.45	2.10	1.62	-119	MEP-1000-750PR	SMEP-1000-750PR	
1	1	0.55	0.78	1 3/8	1 5/8	1 1/2	1.45	2.11	1.91	-217	MEP-1000-1000PR	SMEP-1000-1000PR	

'O' Ring material is Viton®

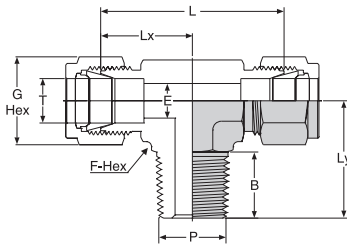
For metric tube to female ISO parallel pipe thread connection

TUBE OD	BSPP MALE THREAD	DIMENSIONS IN MM									Uniform Size Number	PART NO.	
		T	P	B	E	F	Fx	G	Lx	Ly		M	O-Ring
6	1/8	8.1	4.0	1/2	9/16	14	19.6	26.4	17.3	-502	MEP-6-125PR	SMEP-6-125PR	
6	1/4	9.1	4.8	5/8	3/4	14	21.6	32.3	22.9	-111	MEP-6-250PR	SMEP-6-250PR	
8	1/8	8.1	4.0	9/16	9/16	16	21.3	27.4	17.3	-502	MEP-8-125PR	SMEP-8-125PR	
8	1/4	9.1	5.9	5/8	3/4	16	22.4	32.2	22.9	-111	MEP-8-250PR	SMEP-8-250PR	
10	1/4	9.1	5.9	13/16	3/4	19	25.9	35.0	22.9	-111	MEP-10-250PR	SMEP-10-250PR	
10	3/8	9.4	7.9	13/16	7/8	19	25.9	37.1	26.4	-113	MEP-10-375PR	SMEP-10-375PR	
12	1/4	9.1	5.9	13/16	3/4	22	25.9	35.0	22.9	-111	MEP-12-250PR	SMEP-12-250PR	
12	3/8	9.4	7.9	13/16	7/8	22	25.9	37.1	26.4	-113	MEP-12-375PR	SMEP-12-375PR	
12	1/2	13.0	9.5	15/16	1 1/16	22	27.9	43.4	32.0	-508	MEP-12-500PR	SMEP-12-500PR	
12	3/4	13.0	9.5	1 1/16	1 3/8	22	29.7	48.8	41.1	-119	MEP-12-750PR	SMEP-12-750PR	

'O' Ring material is Viton®

## MALE BRANCH TEE

(Tapered Thread)



For fractional Tube to female NPT thread connection

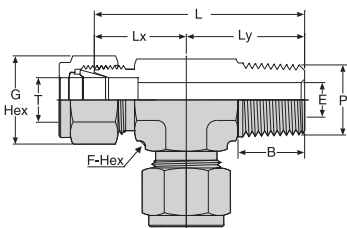
TUBE OD	NPT MALE THREAD	DIMENSIONS IN INCH							PART NO.			
		T	P	B	E	F	G	L	Lx	Ly	Well-Lok™	Fine-Lok™
1/8	1/8	0.38	0.09	7/16	7/16	1.34	0.67	0.70			MBT-125-125N	SMBT-125-125N
1/8	1/4	0.56	0.09	9/16	7/16	1.42	0.71	0.92			MBT-125-250N	SMBT-125-250N
3/16	1/8	0.38	0.12	7/16	1/2	1.40	0.70	0.70			MBT-187-125N	SMBT-187-125N
1/4	1/8	0.38	0.19	1/2	9/16	1.54	0.77	0.74			MBT-250-125N	SMBT-250-125N
1/4	1/4	0.56	0.19	9/16	9/16	1.54	0.77	0.92			MBT-250-250N	SMBT-250-250N
5/16	1/8	0.38	0.19	9/16	5/8	1.76	0.88	0.82			MBT-312-125N	SMBT-312-125N
3/8	1/4	0.56	0.28	5/8	11/16	1.82	0.91	1.00			MBT-375-250N	SMBT-375-250N
3/8	3/8	0.56	0.28	13/16	11/16	2.04	1.02	1.11			MBT-375-375N	SMBT-375-375N
1/2	3/8	0.56	0.38	13/16	7/8	2.04	1.02	1.11			MBT-500-375N	SMBT-500-375N
1/2	1/2	0.75	0.41	7/8	7/8	2.04	1.02	1.30			MBT-500-500N	SMBT-500-500N
5/8	1/2	0.75	0.47	1	1	2.26	1.13	1.41			MBT-625-500N	SMBT-625-500N
3/4	3/4	0.75	0.62	1 1/8	1 1/8	2.34	1.17	1.45			MBT-750-750N	SMBT-750-750N

For metric Tube to female NPT thread connection

TUBE OD	NPT MALE THREAD	DIMENSIONS IN MM							PART NO.			
		T	P	B	E	F	G	L	Lx	Ly	Well-Lok™	Fine-Lok™
6	1/8	9.7	4.8	1/2	14	39.1	19.6	18.8			MBT-6-125N	SMBT-6-125N
6	1/4	14.2	4.8	9/16	14	39.1	19.6	23.4			MBT-6-250N	SMBT-6-250N
8	1/8	9.7	4.8	9/16	16	44.7	22.4	20.8			MBT-8-125N	SMBT-8-125N
8	1/4	14.2	6.4	9/16	16	44.7	22.4	25.4			MBT-8-250N	SMBT-8-250N
10	1/4	14.2	7.1	13/16	19	51.8	25.9	28.2			MBT-10-250N	SMBT-10-250N
12	1/4	14.2	7.1	13/16	22	51.8	25.9	28.2			MBT-12-250N	SMBT-12-250N
12	3/8	14.2	9.5	13/16	22	51.8	25.9	28.2			MBT-12-375N	SMBT-12-375N
12	1/2	19.0	9.5	7/8	22	51.8	25.9	33.0			MBT-12-500N	SMBT-12-500N
16	1/2	19.0	11.9	1	25	57.4	28.7	35.8			MBT-16-500N	SMBT-16-500N

## MALE RUN TEE

(Tapered Thread)



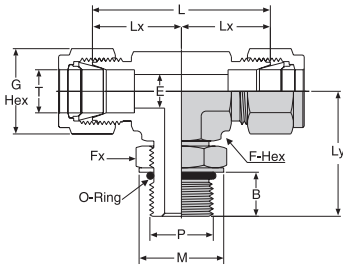
For fractional Tube to female NPT thread connection

TUBE OD	NPT MALE THREAD	DIMENSIONS IN INCH							PART NO.			
		T	P	B	E	F	G	L	Lx	Ly	Well-Lok™	Fine-Lok™
1/8	1/8	0.38	0.09	7/16	7/16	1.37	0.67	0.70			MRT-125-125N	SMRT-125-125N
1/8	1/4	0.56	0.09	9/16	7/16	1.63	0.71	0.92			MRT-125-250N	SMRT-125-250N
3/16	1/8	0.38	0.12	7/16	1/2	1.40	0.70	0.70			MRT-187-125N	SMRT-187-125N
1/4	1/8	0.38	0.19	1/2	9/16	1.51	0.77	0.74			MRT-250-125N	SMRT-250-125N
1/4	1/4	0.56	0.19	9/16	9/16	1.69	0.77	0.92			MRT-250-250N	SMRT-250-250N
5/16	1/8	0.38	0.19	9/16	5/8	1.70	0.88	0.82			MRT-312-125N	SMRT-312-125N
3/8	1/4	0.56	0.28	5/8	11/16	1.91	0.91	1.00			MRT-375-250N	SMRT-375-250N
3/8	3/8	0.56	0.28	13/16	11/16	2.13	1.02	1.11			MRT-375-375N	SMRT-375-375N
1/2	3/8	0.56	0.38	13/16	7/8	2.13	1.02	1.11			MRT-500-375N	SMRT-500-375N
1/2	1/2	0.75	0.41	7/8	7/8	2.32	1.02	1.30			MRT-500-500N	SMRT-500-500N
5/8	1/2	0.75	0.47	15/16	1	2.48	1.10	1.38			MRT-625-500N	SMRT-625-500N
3/4	3/4	0.75	0.62	1 1/16	1 1/8	2.62	1.17	1.45			MRT-750-750N	SMRT-750-750N

For metric Tube to female NPT thread connection

TUBE OD	NPT MALE THREAD	DIMENSIONS IN MM							PART NO.			
		T	P	B	E	F	G	L	Lx	Ly	Well-Lok™	Fine-Lok™
6	1/8	9.7	4.8	1/2	14	38.4	19.6	18.0			MRT-6-125N	SMRT-6-125N
6	1/4	14.2	4.8	9/16	14	42.9	19.6	23.4			MRT-6-250N	SMRT-6-250N
8	1/4	14.2	6.4	9/16	16	47.8	22.4	25.4			MRT-8-250N	SMRT-8-250N
12	1/4	14.2	7.1	13/16	22	54.1	25.9	28.2			MRT-12-250N	SMRT-12-250N
12	3/8	14.2	9.5	13/16	22	54.1	25.9	28.2			MRT-12-375N	SMRT-12-375N
12	1/2	19.0	9.5	7/8	22	58.9	25.9	33.0			MRT-12-500N	SMRT-12-500N
16	1/2	19.0	11.9	15/16	25	63.0	27.9	35.0			MRT-16-500N	SMRT-16-500N

## POSITIONABLE MALE BRANCH TEE (SAE/MS Straight Thread)

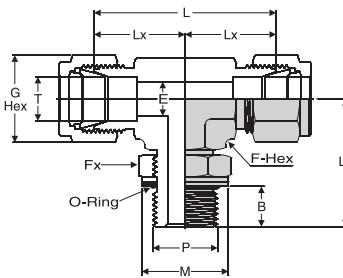


For fractional tube to SAE/MS straight thread boss connection

TUBE OD	SAE/MS STRAIGHT THREAD	DIMENSIONS IN INCH									Uniform Size Number	PART NO.	
		T	P	B	E	F	Fx	G	L	Lx		Ly	M
1/4	7/16-20	0.39	0.19	1/2	9/16	9/16	1.66	0.83	1.12	0.65	-904	MBTP-250-437SE	SMBTP-250-437SE
3/8	9/16-18	0.44	0.28	5/8	11/16	11/16	1.94	0.97	1.27	0.79	-906	MBTP-375-562SE	SMBTP-375-562SE
1/2	3/4-16	0.50	0.41	13/16	7/8	7/8	2.16	1.08	1.49	1.01	-908	MBTP-500-750SE	SMBTP-500-750SE
3/4	1 1/16-12	0.66	0.62	1 1/16	1 1/4	1 1/8	2.46	1.23	1.92	1.44	-912	MBTP-750-1062SE	SMBTP-750-1062SE
1	1 5/16-12	0.66	0.88	1 3/8	1 1/2	1 1/2	3.02	1.51	2.11	1.73	-916	MBTP-1000-1312SE	SMBTP-1000-1312SE

'O' Ring material is Viton®

## POSITIONABLE MALE BRANCH TEE (ISO Parallel Thread)



For fractional tube to female ISO parallel thread connection

TUBE OD	BSPP MALE THREAD	DIMENSIONS IN INCH									Uniform Size Number	PART NO.	
		T	P	B	E	F	Fx	G	L	Lx		Ly	M
1/4	1/8	0.32	0.16	1/2	9/16	9/16	1.54	0.77	1.04	0.68	-502	MBTP-250-125PR	SMBTP-250-125PR
1/4	1/4	0.36	0.19	5/8	3/4	9/16	1.70	0.85	1.27	0.90	-111	MBTP-250-250PR	SMBTP-250-250PR
3/8	1/4	0.36	0.23	5/8	3/4	11/16	1.82	0.91	1.27	0.90	-111	MBTP-375-250PR	SMBTP-375-250PR
1/2	3/8	0.37	0.31	13/16	7/8	7/8	2.04	1.02	1.46	1.04	-113	MBTP-500-375PR	SMBTP-500-375PR
1/2	1/2	0.51	0.41	15/16	1 1/16	7/8	2.20	1.10	1.71	1.26	-508	MBTP-500-500PR	SMBTP-500-500PR
5/8	1/2	0.51	0.47	15/16	1 1/16	1	2.20	1.10	1.71	1.26	-508	MBTP-625-500PR	SMBTP-625-500PR
3/4	1/2	0.51	0.47	1 1/16	1 1/16	1 1/8	2.34	1.17	1.78	1.26	-508	MBTP-750-500PR	SMBTP-750-500PR
3/4	3/4	0.51	0.62	1 1/16	1 3/8	1 1/8	2.34	1.17	1.92	1.62	-119	MBTP-750-750PR	SMBTP-750-750PR
1	1	0.55	0.78	1 3/8	1 5/8	1 1/2	2.90	1.45	2.11	1.91	-217	MBTP-1000-1000PR	SMBTP-1000-1000PR

'O' Ring material is Viton®

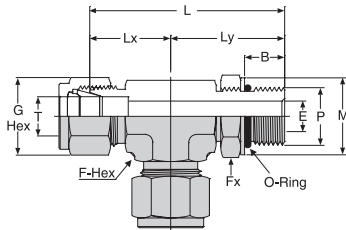
For metric tube to female ISO parallel thread connection

TUBE OD	BSPP MALE THREAD	DIMENSIONS IN MM									Uniform Size Number	PART NO.	
		T	P	B	E	F	Fx	G	L	Lx		Ly	M
6	1/8	8.1	4.0	1/2	9/16	14	39.1	19.6	26.4	17.3	-502	MBTP-6-125PR	SMBTP-6-125PR
6	1/4	9.1	4.8	5/8	3/4	14	43.2	21.6	32.2	22.9	-111	MBTP-6-250PR	SMBTP-6-250PR
8	1/8	8.1	4.0	9/16	9/16	16	42.7	21.3	27.4	17.3	-502	MBTP-8-125PR	SMBTP-8-125PR
8	1/4	9.1	6.4	5/8	3/4	16	44.7	22.4	32.2	22.9	-111	MBTP-8-250PR	SMBTP-8-250PR
10	1/4	9.1	5.9	13/16	3/4	19	51.8	25.9	35.0	22.9	-111	MBTP-10-250PR	SMBTP-10-250PR
12	3/8	9.4	7.9	13/16	7/8	22	51.8	25.9	37.1	26.4	-113	MBTP-12-375PR	SMBTP-12-375PR
12	1/2	13.4	9.5	15/16	1 1/16	22	55.9	27.9	43.4	32.0	-508	MBTP-12-500PR	SMBTP-12-500PR

'O' Ring material is Viton®

## POSITIONABLE MALE RUN TEE

(SAE/MS Straight Thread)



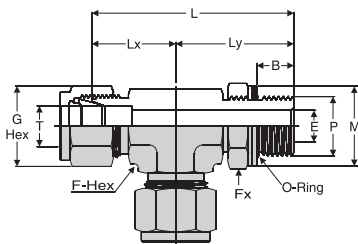
For fractional Tube to SAE/MS straight thread Boss connection

TUBE OD	SAE/MS STRAIGHT THREAD	DIMENSIONS IN INCH										Uniform Size Number	PART NO.	
		T	P	B	E	F	Fx	G	L	Lx	Ly		M	O-ring
1/4	7/16-20	0.39	0.19	1/2	9/16	9/16	1.95	0.83	1.12	0.65	-904	MRTP-250-437SE	SMRTP-250-437SE	
3/8	9/16-18	0.44	0.28	5/8	11/16	11/16	2.24	0.97	1.27	0.79	-906	MRTP-375-562SE	SMRTP-375-562SE	
1/2	3/4-16	0.50	0.41	13/16	7/8	7/8	2.57	1.08	1.49	1.01	-908	MRTP-500-750SE	SMRTP-500-750SE	
3/4	1 1/16-12	0.66	0.62	1 1/16	1 1/4	1 1/8	3.15	1.23	1.92	1.44	-912	MRTP-750-1062SE	SMRTP-750-1062SE	
1	1 5/16-12	0.66	0.88	1 3/8	1 1/2	1 1/2	3.62	1.51	2.11	1.73	-916	MRTP-1000-1312SE	SMRTP-1000-1312SE	

'O' Ring material is Viton®

## POSITIONABLE MALE RUN TEE

(ISO Parallel Thread)



For fractional Tube to female ISO parallel thread connection

TUBE OD	BSPP MALE THREAD	DIMENSIONS IN INCH										Uniform Size Number	PART NO.	
		T	P	B	E	F	Fx	G	L	Lx	Ly		M	O-ring
1/4	1/8	0.32	0.16	1/2	9/16	9/16	1.81	0.77	1.04	0.68	-502	MRTP-250-125PR	SMRTP-250-125PR	
1/4	1/4	0.36	0.19	5/8	3/4	9/16	2.12	0.85	1.27	0.90	-111	MRTP-250-250PR	SMRTP-250-250PR	
3/8	1/4	0.36	0.23	5/8	3/4	11/16	2.18	0.91	1.27	0.90	-111	MRTP-375-250PR	SMRTP-375-250PR	
1/2	3/8	0.37	0.31	13/16	7/8	7/8	2.48	1.02	1.46	1.04	-113	MRTP-500-375PR	SMRTP-500-375PR	
1/2	1/2	0.51	0.41	15/16	1 1/16	7/8	2.81	1.10	1.71	1.26	-508	MRTP-500-500PR	SMRTP-500-500PR	
5/8	1/2	0.51	0.47	15/16	1 1/16	1	2.81	1.10	1.71	1.26	-508	MRTP-625-500PR	SMRTP-625-500PR	
3/4	1/2	0.51	0.47	1 1/16	1 1/16	1 1/8	2.95	1.17	1.78	1.26	-508	MRTP-750-500PR	SMRTP-750-500PR	
3/4	3/4	0.51	0.62	1 1/16	1 3/8	1 1/8	3.09	1.17	1.92	1.62	-119	MRTP-750-750PR	SMRTP-750-750PR	
1	1	0.55	0.78	1 3/8	1 5/8	1 1/2	3.56	1.45	2.11	1.91	-217	MRTP-1000-1000PR	SMRTP-1000-1000PR	

'O' Ring material is Viton®

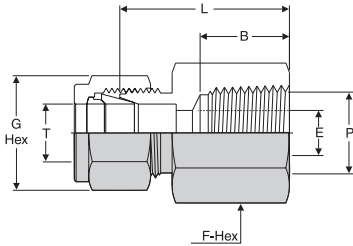
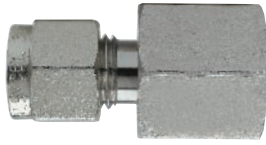
For metric Tube to female ISO parallel thread connection

TUBE OD	BSPP MALE THREAD	DIMENSIONS IN MM										Uniform Size Number	PART NO.	
		T	P	B	E	F	Fx	G	L	Lx	Ly		M	O-ring
6	1/8	8.1	4.0	1/2	9/16	14	46.0	19.6	26.4	17.3	-502	MRTP-6-125PR	SMRTP-6-125PR	
6	1/4	9.1	4.8	5/8	3/4	14	53.8	21.6	32.2	22.9	-111	MRTP-6-250PR	SMRTP-6-250PR	
8	1/8	8.1	4.0	9/16	9/16	16	48.8	21.3	27.4	17.3	-502	MRTP-8-125PR	SMRTP-8-125PR	
8	1/4	9.1	6.4	5/8	3/4	16	54.6	22.4	32.2	22.9	-111	MRTP-8-250PR	SMRTP-8-250PR	
10	1/4	9.1	5.9	13/16	3/4	19	61.0	25.9	35.0	22.9	-111	MRTP-10-250PR	SMRTP-10-250PR	
12	3/8	9.4	7.9	13/16	7/8	22	63.0	25.9	37.1	26.4	-113	MRTP-12-375PR	SMRTP-12-375PR	
12	1/2	13.4	9.5	15/16	1 1/16	22	71.4	27.9	43.4	32.0	-508	MRTP-12-500PR	SMRTP-12-500PR	

'O' Ring material is Viton®

## FEMALE CONNECTOR

(Tapered Thread)



For fractional Tube to male NPT thread connection

TUBE OD	NPT FEMALE THREAD	DIMENSIONS IN INCH					PART NO.	
		T	P	B	E	F	G	L
1/8	1/8	0.41	0.09	9/16	7/16	0.87	FC-125-125N	SFC-125-125N
1/8	1/4	0.59	0.09	3/4	7/16	1.06	FC-125-250N	SFC-125-250N
3/16	1/8	0.39	0.12	9/16	1/2	0.91	FC-187-125N	SFC-187-125N
1/4	1/8	0.39	0.19	9/16	9/16	0.94	FC-250-125N	SFC-250-125N
1/4	1/4	0.59	0.19	3/4	9/16	1.12	FC-250-250N	SFC-250-250N
1/4	3/8	0.59	0.19	7/8	9/16	1.19	FC-250-375N	SFC-250-375N
1/4	1/2	0.78	0.19	1 1/16	9/16	1.38	FC-250-500N	SFC-250-500N
5/16	1/8	0.41	0.25	9/16	5/8	0.97	FC-312-125N	SFC-312-125N
5/16	1/4	0.59	0.25	3/4	5/8	1.16	FC-312-250N	SFC-312-250N
5/16	3/8	0.59	0.25	7/8	5/8	1.22	FC-312-375N	SFC-312-375N
3/8	1/8	0.41	0.28	5/8	11/16	1.00	FC-375-125N	SFC-375-125N
3/8	1/4	0.59	0.28	3/4	11/16	1.19	FC-375-250N	SFC-375-250N
3/8	3/8	0.59	0.28	7/8	11/16	1.25	FC-375-375N	SFC-375-375N
3/8	1/2	0.78	0.28	1 1/16	11/16	1.44	FC-375-500N	SFC-375-500N
3/8	3/4	0.81	0.28	1 5/16	11/16	1.59	FC-375-750N	SFC-375-750N
1/2	1/4	0.59	0.41	13/16	7/8	1.19	FC-500-250N	SFC-500-250N
1/2	3/8	0.59	0.41	7/8	7/8	1.25	FC-500-375N	SFC-500-375N
1/2	1/2	0.78	0.41	1 1/16	7/8	1.44	FC-500-500N	SFC-500-500N
1/2	3/4	0.81	0.41	1 5/16	7/8	1.50	FC-500-750N	SFC-500-750N
5/8	3/8	0.59	0.50	15/16	1	1.25	FC-625-375N	SFC-625-375N
5/8	1/2	0.78	0.50	1 1/16	1	1.44	FC-625-500N	SFC-625-500N
5/8	3/4	0.81	0.50	1 5/16	1	1.50	FC-625-750N	SFC-625-750N
3/4	1/2	0.78	0.62	1 1/16	1 1/8	1.44	FC-750-500N	SFC-750-500N
3/4	3/4	0.81	0.62	1 5/16	1 1/8	1.50	FC-750-750N	SFC-750-750N
7/8	3/4	0.81	0.72	1 5/16	1 1/4	1.56	FC-875-750N	SFC-875-750N
1	3/4	0.81	0.88	1 3/8	1 1/2	1.62	FC-1000-750N	SFC-1000-750N
1	1	1.00	0.88	1 5/8	1 1/2	1.97	FC-1000-1000N	SFC-1000-1000N

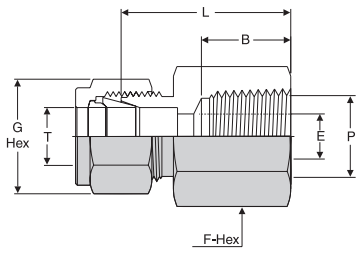
For metric Tube to male NPT thread connection

TUBE OD	NPT FEMALE THREAD	DIMENSIONS IN MM					PART NO.	
		T	P	B	E	F	G	L
3	1/8	10.4	2.4	14	12	22.1	FC-3-125N	SFC-3-125N
3	1/4	15.0	2.4	19	12	26.9	FC-3-250N	SFC-3-250N
4	1/8	10.4	2.4	14	12	23.1	FC-4-125N	SFC-4-125N
6	1/8	10.4	4.8	14	14	23.9	FC-6-125N	SFC-6-125N
6	1/4	15.0	4.8	19	14	28.4	FC-6-250N	SFC-6-250N
6	3/8	15.0	4.8	22	14	30.2	FC-6-375N	SFC-6-375N
6	1/2	19.8	4.8	27	14	35.1	FC-6-500N	SFC-6-500N
8	1/8	10.4	6.4	15	16	24.6	FC-8-125N	SFC-8-125N
8	1/4	15.0	6.4	19	16	29.5	FC-8-250N	SFC-8-250N
8	3/8	15.0	6.4	22	16	31.0	FC-8-375N	SFC-8-375N
8	1/2	19.8	6.4	27	16	35.8	FC-8-500N	SFC-8-500N
10	1/4	15.0	7.9	19	19	30.2	FC-10-250N	SFC-10-250N
10	3/8	15.0	7.9	22	19	31.8	FC-10-375N	SFC-10-375N
10	1/2	19.8	7.9	27	19	36.6	FC-10-500N	SFC-10-500N
12	1/4	15.0	9.5	22	22	30.2	FC-12-250N	SFC-12-250N
12	3/8	15.0	9.5	22	22	31.8	FC-12-375N	SFC-12-375N
12	1/2	19.8	9.5	27	22	36.6	FC-12-500N	SFC-12-500N
15	1/2	19.8	11.9	27	25	36.6	FC-15-500N	SFC-15-500N
16	1/2	19.8	12.7	27	25	36.8	FC-16-500N	SFC-16-500N
20	1/2	19.8	15.9	30	32	37.8	FC-20-500N	SFC-20-500N
20	3/4	20.6	15.9	35	32	39.6	FC-20-750N	SFC-20-750N
22	3/4	20.6	18.3	35	32	39.6	FC-22-750N	SFC-22-750N
22	1	25.4	18.3	41	32	47.8	FC-22-1000N	SFC-22-1000N
25	3/4	20.6	21.8	35	38	41.1	FC-25-750N	SFC-25-750N
25	1	25.4	21.8	41	38	50.0	FC-25-1000N	SFC-25-1000N



## FEMALE CONNECTOR

(ISO Tapered thread)



For fractional Tube to male ISO tapered pipe thread connection

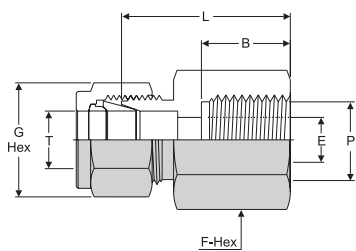
TUBE OD	BSPT FEMALE THREAD	DIMENSIONS IN INCH					PART NO.			
		T	P	B	E	F	G	L	Well-Lok™	Fine-Lok™
1/4	1/8			0.41	0.19	9/16	9/16	0.94	FC-250-125RT	SFC-250-125RT
1/4	1/4			0.59	0.19	3/4	9/16	1.12	FC-250-250RT	SFC-250-250RT
1/4	3/8			0.59	0.19	7/8	9/16	1.19	FC-250-375RT	SFC-250-375RT
1/4	1/2			0.78	0.19	1 1/16	9/16	1.38	FC-250-500RT	SFC-250-500RT
3/8	1/4			0.59	0.28	3/4	11/16	1.19	FC-375-250RT	SFC-375-250RT
3/8	3/8			0.59	0.28	7/8	11/16	1.25	FC-375-375RT	SFC-375-375RT
3/8	1/2			0.78	0.28	1 1/16	11/16	1.44	FC-375-500RT	SFC-375-500RT
1/2	1/4			0.59	0.41	13/16	7/8	1.19	FC-500-250RT	SFC-500-250RT
1/2	3/8			0.59	0.41	7/8	7/8	1.25	FC-500-375RT	SFC-500-375RT
1/2	1/2			0.78	0.41	1 1/16	7/8	1.44	FC-500-500RT	SFC-500-500RT

For metric Tube to male ISO tapered pipe thread connection

TUBE OD	BSPT FEMALE THREAD	DIMENSIONS IN MM					PART NO.			
		T	P	B	E	F	G	L	Well-Lok™	Fine-Lok™
3	1/8			10.4	2.4	14	12	22.1	FC-3-125RT	SFC-3-125RT
6	1/8			10.4	4.8	14	14	23.9	FC-6-125RT	SFC-6-125RT
6	1/4			15.0	4.8	19	14	28.4	FC-6-250RT	SFC-6-250RT
6	3/8			15.0	4.8	22	14	30.2	FC-6-375RT	SFC-6-375RT
6	1/2			19.8	4.8	27	14	35.1	FC-6-500RT	SFC-6-500RT
8	1/8			10.4	6.4	15	16	24.6	FC-8-125RT	SFC-8-125RT
8	1/4			15.0	6.4	19	16	29.5	FC-8-250RT	SFC-8-250RT
8	3/8			15.0	6.4	22	16	31.0	FC-8-375RT	SFC-8-375RT
8	1/2			19.8	6.4	27	16	35.8	FC-8-500RT	SFC-8-500RT
10	1/8			10.4	7.9	18	19	25.4	FC-10-125RT	SFC-10-125RT
10	1/4			15.0	7.9	19	19	30.2	FC-10-250RT	SFC-10-250RT
10	3/8			15.0	7.9	22	19	31.8	FC-10-375RT	SFC-10-375RT
10	1/2			19.8	7.9	27	19	36.6	FC-10-500RT	SFC-10-500RT
12	1/8			10.4	8.3	22	22	25.4	FC-12-125RT	SFC-12-125RT
12	1/4			15.0	9.5	22	22	30.2	FC-12-250RT	SFC-12-250RT
12	3/8			15.0	9.5	22	22	31.8	FC-12-375RT	SFC-12-375RT
12	1/2			19.8	9.5	27	22	36.6	FC-12-500RT	SFC-12-500RT
12	3/4			20.6	9.5	35	22	38.9	FC-12-750RT	SFC-12-750RT
15	3/8			15.0	11.9	24	25	31.8	FC-15-375RT	SFC-15-375RT
15	1/2			19.8	11.9	27	25	36.6	FC-15-500RT	SFC-15-500RT
20	1/2			19.8	15.9	30	32	37.8	FC-20-500RT	SFC-20-500RT
20	3/4			20.6	15.9	35	32	39.6	FC-20-750RT	SFC-20-750RT
22	3/4			20.6	18.3	35	32	39.6	FC-22-750RT	SFC-22-750RT
22	1			25.4	18.3	41	32	47.8	FC-22-1000RT	SFC-22-1000RT
25	3/4			20.6	21.8	35	38	41.1	FC-25-750RT	SFC-25-750RT
25	1			25.4	21.8	41	38	50.0	FC-25-1000RT	SFC-25-1000RT

## FEMALE CONNECTOR

(ISO Parallel thread)

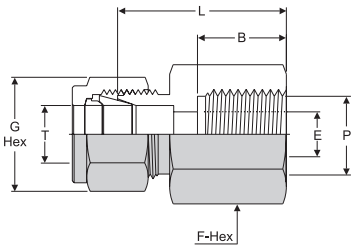


For fractional Tube to male ISO parallel Gage thread connection

TUBE OD	BSPP FEMALE THREAD	DIMENSIONS IN INCH					PART NO.			
		T	P	B	E	F	G	L	Well-Lok™	Fine-Lok™
1/4	1/4			0.51	0.19	3/4	9/16	1.19	FC-250-250RG	SFC-250-250RG
1/4	3/8			0.56	0.19	7/8	9/16	1.19	FC-250-375RG	SFC-250-375RG
1/4	1/2			0.74	0.19	1 1/16	9/16	1.42	FC-250-500RG	SFC-250-500RG
5/16	1/4			0.51	0.22	3/4	5/8	1.22	FC-312-250RG	SFC-312-250RG
5/16	1/2			0.74	0.28	1 1/16	5/8	1.32	FC-312-500RG	SFC-312-500RG
3/8	1/4			0.51	0.22	3/4	11/16	1.25	FC-375-250RG	SFC-375-250RG
3/8	3/8			0.56	0.26	7/8	11/16	1.23	FC-375-375RG	SFC-375-375RG
3/8	1/2			0.74	0.28	1 1/16	11/16	1.36	FC-375-500RG	SFC-375-500RG
1/2	3/8			0.56	0.26	7/8	7/8	1.35	FC-500-375RG	SFC-500-375RG
1/2	1/2			0.74	0.28	1 1/16	7/8	1.50	FC-500-500RG	SFC-500-500RG

## FEMALE CONNECTOR

(ISO Parallel Thread)

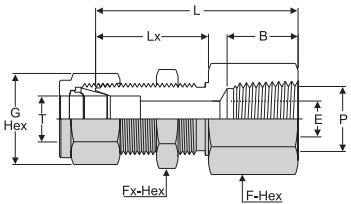


For metric Tube to male ISO parallel GAGE thread connection

TUBE OD	BSPF FEMALE THREAD	DIMENSIONS IN MM						PART NO.	
		T	P	B	E	F	G	L	Well-Lok™
3	1/4	12.9	2.4	19	12	28.7	FC-3-250RG	SFC-3-250RG	
6	1/4	12.9	4.8	19	14	30.2	FC-6-250RG	SFC-6-250RG	
6	3/8	14.1	4.8	22	14	30.2	FC-6-375RG	SFC-6-375RG	
6	1/2	18.9	4.8	27	14	36.1	FC-6-500RG	SFC-6-500RG	
8	1/4	12.9	5.5	19	16	31.0	FC-8-250RG	SFC-8-250RG	
8	3/8	14.1	6.5	22	16	33.3	FC-8-375RG	SFC-8-375RG	
8	1/2	18.9	7.0	27	16	36.5	FC-8-500RG	SFC-8-500RG	
10	1/4	12.9	5.5	19	19	31.8	FC-10-250RG	SFC-10-250RG	
10	3/8	14.1	6.5	22	19	31.2	FC-10-375RG	SFC-10-375RG	
10	1/2	18.9	7.0	27	19	34.5	FC-10-500RG	SFC-10-500RG	
12	1/4	12.9	5.5	22	22	31.8	FC-12-250RG	SFC-12-250RG	
12	3/8	14.1	6.5	22	22	34.3	FC-12-375RG	SFC-12-375RG	
12	1/2	18.9	7.0	27	22	38.1	FC-12-500RG	SFC-12-500RG	
20	1/2	18.9	7.0	30	32	44.2	FC-20-500RG	SFC-20-500RG	
22	1/2	18.9	7.0	30	32	44.2	FC-22-500RG	SFC-22-500RG	

## BULKHEAD FEMALE CONNECTOR

(Tapered Thread)



For fractional Tube to male NPT thread connection

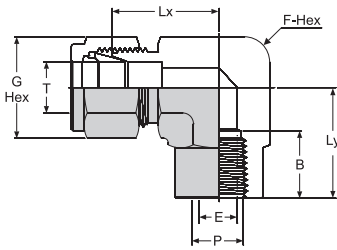
TUBE OD	NPT FEMALE THREAD	DIMENSIONS IN INCH								Panel Hole Size	Panel Thickness Max.	PART NO.	
		T	P	B	E	F	Fx	G	L			Lx	Well-Lok™
1/8	1/8	0.41	0.09	9/16	9/16	7/16	1.50	0.97	21/64	0.50	BFC-125-125N	SBFC-125-125N	
3/16	1/8	0.41	0.12	9/16	9/16	1/2	1.53	1.00	25/64	0.50	BFC-187-125N	SBFC-187-125N	
1/4	1/8	0.41	0.19	5/8	5/8	9/16	1.56	1.02	29/64	0.40	BFC-250-125N	SBFC-250-125N	
1/4	1/4	0.59	0.19	3/4	3/4	9/16	1.75	1.02	29/64	0.40	BFC-250-250N	SBFC-250-250N	
5/16	1/8	0.41	0.25	11/16	11/16	5/8	1.66	1.12	33/64	0.44	BFC-312-125N	SBFC-312-125N	
3/8	1/4	0.59	0.28	3/4	3/4	11/16	1.88	1.15	37/64	0.44	BFC-375-250N	SBFC-375-250N	
1/2	3/8	0.59	0.41	15/16	15/16	7/8	2.03	1.25	49/64	0.50	BFC-500-375N	SBFC-500-375N	
1/2	1/2	0.78	0.41	1 1/16	15/16	7/8	2.22	1.25	49/64	0.50	BFC-500-500N	SBFC-500-500N	
5/8	1/2	0.78	0.50	1 1/16	1 1/16	1	2.25	1.28	57/64	0.50	BFC-625-500N	SBFC-625-500N	
3/4	3/4	0.81	0.62	1 3/8	1 3/16	1 1/8	2.50	1.47	1 1/64	0.66	BFC-750-750N	SBFC-750-750N	
7/8	3/4	0.81	0.72	1 3/8	1 3/8	1 1/4	2.78	1.69	1 9/64	0.66	BFC-875-750N	SBFC-875-750N	
1	1	1	0.88	1 5/8	1 5/8	1 1/2	3.19	1.78	1 21/64	0.75	BFC-1000-1000N	SBFC-1000-1000N	

For metric Tube to male NPT thread connection

TUBE OD	NPT FEMALE THREAD	DIMENSIONS IN MM								Panel Hole Size	Panel Thickness Max.	PART NO.	
		T	P	B	E	F	Fx	G	L			Lx	Well-Lok™
6	1/8	10.4	4.8	16.0	16.0	14	39.7	26.2	11.5	10.2	BFC-6-125N	SBFC-6-125N	
6	1/4	15.0	4.8	19.0	16.0	14	44.5	26.2	11.5	10.2	BFC-6-250N	SBFC-6-250N	
8	1/8	10.4	6.4	18.0	18.0	16	42.1	28.5	13.1	11.2	BFC-8-125N	SBFC-8-125N	
10	1/4	15.0	7.1	19.0	19.0	19	47.6	29.4	16.3	11.2	BFC-10-250N	SBFC-10-250N	
12	3/8	15.0	10.4	25.0	24.0	22	50.8	31.8	19.5	12.7	BFC-12-375N	SBFC-12-375N	
12	1/2	19.8	10.4	27.0	24.0	22	56.3	31.8	19.5	12.7	BFC-12-500N	SBFC-12-500N	

## FEMALE ELBOW

(Tapered Thread)



For fractional Tube to male NPT thread connection

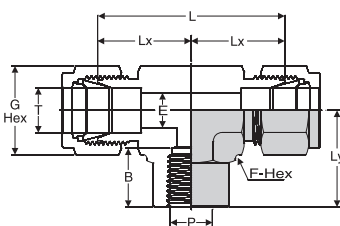
TUBE OD	NPT FEMALE THREAD	DIMENSIONS IN INCH							PART NO.	
		T	P	B	E	F	G	Lx	Ly	Well-Lok™
1/8	1/8	0.41	0.09	9/16	7/16	0.71	0.75	FE-125-125N	SFE-125-125N	
1/8	1/4	0.59	0.09	3/4	7/16	0.82	0.88	FE-125-250N	SFE-125-250N	
3/16	1/8	0.41	0.12	9/16	1/2	0.74	0.75	FE-187-125N	SFE-187-125N	
1/4	1/8	0.41	0.19	9/16	9/16	0.77	0.75	FE-250-125N	SFE-250-125N	
1/4	1/4	0.59	0.19	3/4	9/16	0.88	0.88	FE-250-250N	SFE-250-250N	
1/4	3/8	0.59	0.19	7/8	9/16	0.96	0.88	FE-250-375N	SFE-250-375N	
1/4	1/2	0.78	0.19	1 <sup>1</sup> / <sub>16</sub>	9/16	1.07	1.12	FE-250-500N	SFE-250-500N	
5/16	1/8	0.41	0.25	9/16	5/8	0.84	0.75	FE-312-125N	SFE-312-125N	
5/16	1/4	0.59	0.25	3/4	5/8	0.91	0.88	FE-312-250N	SFE-312-250N	
3/8	1/8	0.41	0.28	5/8	11/16	0.91	0.75	FE-375-125N	SFE-375-125N	
3/8	1/4	0.59	0.28	3/4	11/16	0.94	0.88	FE-375-250N	SFE-375-250N	
3/8	3/8	0.59	0.28	7/8	11/16	1.02	0.88	FE-375-375N	SFE-375-375N	
3/8	1/2	0.78	0.28	1 <sup>1</sup> / <sub>16</sub>	11/16	1.13	1.12	FE-375-500N	SFE-375-500N	
1/2	1/4	0.59	0.41	13/16	7/8	1.02	0.88	FE-500-250N	SFE-500-250N	
1/2	3/8	0.59	0.41	7/8	7/8	1.02	0.88	FE-500-375N	SFE-500-375N	
1/2	1/2	0.78	0.41	1 <sup>1</sup> / <sub>16</sub>	7/8	1.13	1.12	FE-500-500N	SFE-500-500N	
5/8	3/8	0.59	0.50	15/16	1	1.10	0.88	FE-625-375N	SFE-625-375N	
5/8	1/2	0.78	0.50	1 <sup>1</sup> / <sub>16</sub>	1	1.17	1.12	FE-625-500N	SFE-625-500N	
3/4	1/2	0.78	0.62	1 <sup>1</sup> / <sub>16</sub>	1 <sup>1</sup> / <sub>8</sub>	1.17	1.12	FE-750-500N	SFE-750-500N	
3/4	3/4	0.81	0.62	1 <sup>3</sup> / <sub>8</sub>	1 <sup>1</sup> / <sub>8</sub>	1.36	1.25	FE-750-750N	SFE-750-750N	
7/8	3/4	0.81	0.72	1 <sup>3</sup> / <sub>8</sub>	1 <sup>1</sup> / <sub>4</sub>	1.36	1.25	FE-875-750N	SFE-875-750N	
1	3/4	0.81	0.88	1 <sup>3</sup> / <sub>8</sub>	1 <sup>1</sup> / <sub>2</sub>	1.45	1.25	FE-1000-750N	SFE-1000-750N	
1	1	1.00	0.88	1 <sup>5</sup> / <sub>8</sub>	1 <sup>1</sup> / <sub>2</sub>	1.63	1.50	FE-1000-1000N	SFE-1000-1000N	

For metric Tube to male NPT thread connection

TUBE OD	NPT FEMALE THREAD	DIMENSIONS IN MM							PART NO.	
		T	P	B	E	F	G	Lx	Ly	Well-Lok™
6	1/8	10.4	4.8	9/16	14	19.6	19.0	FE-6-125N	SFE-6-125N	
6	1/4	15.0	4.8	3/4	14	22.4	22.4	FE-6-250N	SFE-6-250N	
6	1/2	19.8	4.8	1 <sup>1</sup> / <sub>16</sub>	14	27.2	28.4	FE-6-500N	SFE-6-500N	
8	1/4	15.0	6.4	3/4	16	23.1	22.4	FE-8-250N	SFE-8-250N	
10	1/8	10.4	7.9	11/16	19	23.9	19.0	FE-10-125N	SFE-10-125N	
10	1/4	15.0	7.9	13/16	19	25.9	22.4	FE-10-250N	SFE-10-250N	
12	1/4	15.0	9.5	13/16	22	25.9	22.4	FE-12-250N	SFE-12-250N	
12	3/8	15.0	9.5	7/8	22	25.9	22.4	FE-12-375N	SFE-12-375N	
12	1/2	19.8	9.5	1 <sup>1</sup> / <sub>16</sub>	22	28.7	28.4	FE-12-500N	SFE-12-500N	
16	1/2	19.8	12.7	1 <sup>1</sup> / <sub>16</sub>	25	29.7	28.4	FE-16-500N	SFE-16-500N	

## FEMALE BRANCH TEE

(Tapered Thread)

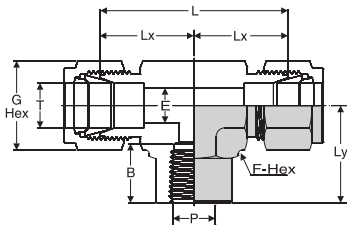


For fractional Tube to male NPT thread connection

TUBE OD	NPT FEMALE THREAD	DIMENSIONS IN INCH							PART NO.	
		T	P	B	E	F	G	L	Lx	Ly
1/8	1/8	0.41	0.09	9/16	7/16	1.42	0.71	0.75	FBT-125-125N	SFBT-125-125N
1/4	1/8	0.41	0.19	9/16	9/16	1.54	0.77	0.75	FBT-250-125N	SFBT-250-125N
1/4	1/4	0.59	0.19	3/4	9/16	1.76	0.88	0.88	FBT-250-250N	SFBT-250-250N
3/8	1/4	0.59	0.28	3/4	11/16	1.88	0.94	0.88	FBT-375-250N	SFBT-375-250N
3/8	3/8	0.59	0.28	7/8	11/16	2.04	1.02	0.88	FBT-375-375N	SFBT-375-375N
3/8	1/2	0.78	0.28	1 <sup>1</sup> / <sub>16</sub>	11/16	2.26	1.13	1.12	FBT-375-500N	SFBT-375-500N
1/2	1/4	0.59	0.41	13/16	7/8	2.04	1.02	0.88	FBT-500-250N	SFBT-500-250N
1/2	3/8	0.59	0.41	7/8	7/8	2.04	1.02	0.88	FBT-500-375N	SFBT-500-375N
1/2	1/2	0.78	0.41	1 <sup>1</sup> / <sub>16</sub>	7/8	2.26	1.13	1.12	FBT-500-500N	SFBT-500-500N
5/8	1/2	0.78	0.50	1 <sup>1</sup> / <sub>16</sub>	1	2.26	1.13	1.12	FBT-625-500N	SFBT-625-500N
3/4	3/4	0.81	0.62	1 <sup>3</sup> / <sub>8</sub>	1 <sup>1</sup> / <sub>8</sub>	2.72	1.36	1.25	FBT-750-750N	SFBT-750-750N
1	3/4	0.81	0.88	1 <sup>3</sup> / <sub>8</sub>	1 <sup>1</sup> / <sub>2</sub>	2.90	1.45	1.25	FBT-1000-750N	SFBT-1000-750N
1	1	1.00	0.88	1 <sup>5</sup> / <sub>8</sub>	1 <sup>1</sup> / <sub>2</sub>	3.26	1.63	1.50	FBT-1000-1000N	SFBT-1000-1000N

## FEMALE BRANCH TEE

(Tapered Thread)

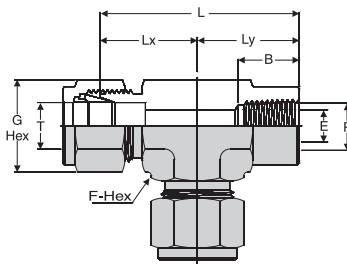


For metric Tube to male NPT thread connection

TUBE OD	NPT FEMALE THREAD	DIMENSIONS IN MM							PART NO.			
		T	P	B	E	F	G	L	Lx	Ly	Well-Lok™	Fine-Lok™
6	1/8	10.4	4.8	9/16	14	39.1	19.6	19.0			FBT-6-125N	SFBT-6-125N
6	1/4	15.0	4.8	3/4	14	44.7	22.4	22.4			FBT-6-250N	SFBT-6-250N
8	1/8	10.4	6.4	5/8	16	44.7	22.4	19.0			FBT-8-125N	SFBT-8-125N
8	1/4	15.0	6.4	3/4	16	46.2	23.1	22.4			FBT-8-250N	SFBT-8-250N
10	1/4	15.0	7.9	3/4	19	51.8	25.9	22.4			FBT-10-250N	SFBT-10-250N
12	1/4	15.0	9.5	13/16	22	51.8	25.9	22.4			FBT-12-250N	SFBT-12-250N
12	3/8	15.0	9.5	7/8	22	51.8	25.9	22.4			FBT-12-375N	SFBT-12-375N
16	1/2	19.8	12.7	1 1/16	25	57.4	28.7	28.4			FBT-16-500N	SFBT-16-500N

## FEMALE RUN TEE

(Tapered Thread)



For fractional Tube to male NPT thread connection

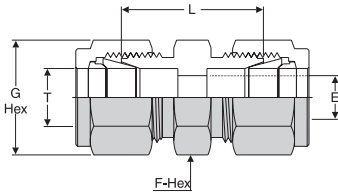
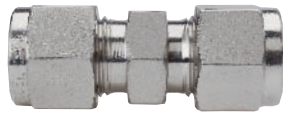
TUBE OD	NPT FEMALE THREAD	DIMENSIONS IN INCH							PART NO.			
		T	P	B	E	F	G	L	Lx	Ly	Well-Lok™	Fine-Lok™
1/8	1/8	0.41	0.09	9/16	7/16	1.46	0.71	0.75			FRT-125-125N	SFRT-125-125N
1/4	1/8	0.41	0.19	9/16	9/16	1.52	0.77	0.75			FRT-250-125N	SFRT-250-125N
1/4	1/4	0.59	0.19	3/4	9/16	1.76	0.88	0.88			FRT-250-250N	SFRT-250-250N
3/8	1/4	0.59	0.28	3/4	11/16	1.82	0.94	0.88			FRT-375-250N	SFRT-375-250N
1/2	3/8	0.59	0.41	7/8	7/8	1.90	1.02	0.88			FRT-500-375N	SFRT-500-375N
1/2	1/2	0.78	0.41	1 1/16	7/8	2.29	1.17	1.12			FRT-500-500N	SFRT-500-500N
3/4	3/4	0.81	0.62	1 3/8	1 1/8	2.61	1.36	1.25			FRT-750-500N	SFRT-750-500N
1	3/4	0.81	0.88	1 3/8	1 1/2	2.70	1.45	1.25			FRT-1000-750N	SFRT-1000-750N
1	1	1.00	0.88	1 5/8	1 1/2	3.13	1.63	1.50			FRT-1000-1000N	SFRT-1000-1000N

For metric Tube to male NPT thread connection

TUBE OD	NPT FEMALE THREAD	DIMENSIONS IN MM							PART NO.			
		T	P	B	E	F	G	L	Lx	Ly	Well-Lok™	Fine-Lok™
6	1/8	10.4	4.8	9/16	14	38.6	19.6	19.0			FRT-6-125N	SFRT-6-125N
6	1/4	15.0	4.8	3/4	14	44.7	22.4	22.4			FRT-6-250N	SFRT-6-250N
8	1/8	10.4	6.4	5/8	16	41.4	22.4	19.0			FRT-8-125N	SFRT-8-125N
8	1/4	15.0	6.4	3/4	16	45.5	23.1	22.4			FRT-8-250N	SFRT-8-250N
10	1/4	15.0	7.9	13/16	19	48.3	25.9	22.4			FRT-10-250N	SFRT-10-250N
12	1/4	15.0	9.5	13/16	22	48.3	25.9	22.4			FRT-12-250N	SFRT-12-250N
12	3/8	15.0	10.3	7/8	22	48.3	25.9	22.4			FRT-12-375N	SFRT-12-375N
16	1/2	19.8	12.7	1 1/16	25	58.1	29.7	28.4			FRT-16-500N	SFRT-16-500N

## UNION

For fractional Tubes connection



TUBE OD	DIMENSIONS IN INCH				PART NO.		
	T	E	F	G	L	Well-Lok™	Fine-Lok™
1/8	0.09	7/16	7/16	0.88		U-125	SU-125
3/16	0.12	7/16	1/2	0.95		U-187	SU-187
1/4	0.19	1/2	9/16	1.03		U-250	SU-250
5/16	0.25	9/16	5/8	1.11		U-312	SU-312
3/8	0.28	5/8	11/16	1.19		U-375	SU-375
1/2	0.41	13/16	7/8	1.22		U-500	SU-500
5/8	0.50	15/16	1	1.25		U-625	SU-625
3/4	0.62	1 <sup>1</sup> / <sub>16</sub>	1 <sup>1</sup> / <sub>8</sub>	1.31		U-750	SU-750
7/8	0.72	1 <sup>3</sup> / <sub>16</sub>	1 <sup>1</sup> / <sub>4</sub>	1.37		U-875	SU-875
1	0.88	1 <sup>3</sup> / <sub>8</sub>	1 <sup>1</sup> / <sub>2</sub>	1.59		U-1000	SU-1000

For metric Tube to fractional Tubes connection

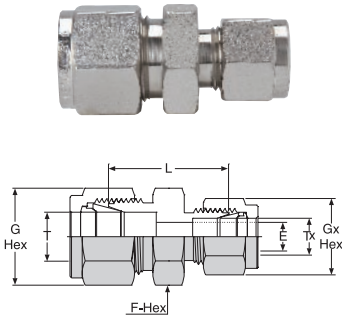
TUBE OD (MM)	TUBE OD (INCH)	DIMENSIONS IN INCH / MM					PART NO.		
		T	Tx	E	F	G	Gx	L	Well-Lok™
3	1/8	2.4	11	11	7/16	22.1		U-3-125	SU-3-125
4	1/8	2.4	11	12	7/16	23.4		U-4-125	SU-4-125
4	1/4	2.4	12	12	9/16	25.4		U-4-250	SU-4-250
6	1/8	2.4	14	14	7/16	24.6		U-6-125	SU-6-125
6	1/4	4.8	14	14	9/16	26.2		U-6-250	SU-6-250
6	5/16	4.8	14	14	5/8	27.4		U-6-312	SU-6-312
8	1/4	4.8	16	16	9/16	27.4		U-8-250	SU-8-250
8	3/8	6.4	16	16	11/16	29.5		U-8-375	SU-8-375
10	1/8	2.4	18	19	7/16	27.7		U-10-125	SU-10-125
10	1/4	4.8	18	19	9/16	29.5		U-10-250	SU-10-250
10	5/16	6.4	18	19	5/8	30.0		U-10-312	SU-10-312
10	3/8	7.1	18	19	11/16	31.0		U-10-375	SU-10-375
12	5/16	6.4	22	22	5/8	30.2		U-12-312	SU-12-312
12	3/8	7.1	22	22	11/16	31.0		U-12-375	SU-12-375
12	1/2	9.5	22	22	7/8	31.0		U-12-500	SU-12-500
15	1/2	10.3	24	25	7/8	31.8		U-15-500	SU-15-500
16	5/8	12.7	24	25	1	31.8		U-16-625	SU-16-625
18	3/4	15.1	27	30	1 <sup>1</sup> / <sub>8</sub>	33.3		U-18-750	SU-18-750
20	1/2	10.3	30	32	7/8	34.8		U-20-500	SU-20-500
20	1	15.9	35	32	1 <sup>1</sup> / <sub>2</sub>	40.4		U-20-1000	SU-20-1000
25	1	21.8	35	38	1 <sup>1</sup> / <sub>2</sub>	40.4		U-25-1000	SU-25-1000

For metric Tubes connection

TUBE OD	DIMENSIONS IN MM				PART NO.		
	T	E	F	G	L	Well-Lok™	Fine-Lok™
3	2.4	11	11	22.1		U-3	SU-3
4	2.4	12	12	24.1		U-4	SU-4
6	4.8	14	14	26.2		U-6	SU-6
8	6.4	16	16	28.2		U-8	SU-8
10	7.9	18	19	31.0		U-10	SU-10
12	9.5	22	22	31.0		U-12	SU-12
14	11.1	24	25	31.8		U-14	SU-14
15	11.9	24	25	31.8		U-15	SU-15
16	12.7	24	25	31.8		U-16	SU-16
18	15.1	27	30	33.3		U-18	SU-18
20	15.9	30	32	34.8		U-20	SU-20
22	18.3	30	32	34.8		U-22	SU-22
25	21.8	35	38	40.4		U-25	SU-25

## REDUCING UNION

For fractional Tubes connection



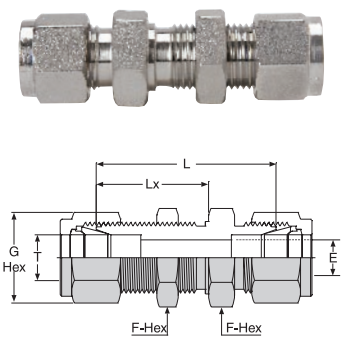
TUBE OD	TUBE OD	DIMENSIONS IN INCH					PART NO.	
T	Tx	E	F	G	Gx	L	Well-Lok™	Fine-Lok™
3/16	1/8	0.09	7/16	1/2	7/16	0.92	RU-187-125	SRU-187-125
1/4	1/8	0.09	1/2	9/16	7/16	0.97	RU-250-125	SRU-250-125
1/4	3/16	0.12	1/2	9/16	1/2	1.00	RU-250-187	SRU-250-187
5/16	1/8	0.09	9/16	5/8	7/16	1.01	RU-312-125	SRU-312-125
5/16	1/4	0.19	9/16	5/8	9/16	1.08	RU-312-250	SRU-312-250
3/8	1/8	0.09	5/8	11/16	7/16	1.06	RU-375-125	SRU-375-125
3/8	1/4	0.19	5/8	11/16	9/16	1.12	RU-375-250	SRU-375-250
3/8	5/16	0.25	5/8	11/16	5/8	1.16	RU-375-312	SRU-375-312
1/2	1/8	0.09	13/16	7/8	7/16	1.12	RU-500-125	SRU-500-125
1/2	1/4	0.19	13/16	7/8	9/16	1.16	RU-500-250	SRU-500-250
1/2	3/8	0.28	13/16	7/8	11/16	1.22	RU-500-375	SRU-500-375
5/8	3/8	0.28	15/16	1	11/16	1.25	RU-625-375	SRU-625-375
5/8	1/2	0.41	15/16	1	7/8	1.25	RU-625-500	SRU-625-500
3/4	1/4	0.19	1 <sup>1</sup> / <sub>16</sub>	1 <sup>1</sup> / <sub>8</sub>	9/16	1.25	RU-750-250	SRU-750-250
3/4	3/8	0.28	1 <sup>1</sup> / <sub>16</sub>	1 <sup>1</sup> / <sub>8</sub>	11/16	1.31	RU-750-375	SRU-750-375
3/4	1/2	0.41	1 <sup>1</sup> / <sub>16</sub>	1 <sup>1</sup> / <sub>8</sub>	7/8	1.31	RU-750-500	SRU-750-500
3/4	5/8	0.50	1 <sup>1</sup> / <sub>16</sub>	1 <sup>1</sup> / <sub>8</sub>	1	1.31	RU-750-625	SRU-750-625
1	1/2	0.41	1 <sup>3</sup> / <sub>8</sub>	1 <sup>1</sup> / <sub>2</sub>	7/8	1.50	RU-1000-500	SRU-1000-500
1	3/4	0.62	1 <sup>3</sup> / <sub>8</sub>	1 <sup>1</sup> / <sub>2</sub>	1 <sup>1</sup> / <sub>8</sub>	1.50	RU-1000-750	SRU-1000-750

For metric Tubes connection

TUBE OD	TUBE OD	DIMENSIONS IN MM					PART NO.	
T	Tx	E	F	G	Gx	L	Well-Lok™	Fine-Lok™
6	3	2.4	14.0	14.0	11.0	24.6	RU-6-3	SRU-6-3
6	4	2.4	14.0	14.0	12.0	25.4	RU-6-4	SRU-6-4
8	6	4.8	16.0	16.0	14.0	27.4	RU-8-6	SRU-8-6
10	6	4.8	18.0	19.0	14.0	29.5	RU-10-6	SRU-10-6
10	8	6.4	18.0	19.0	16.0	30.0	RU-10-8	SRU-10-8
12	6	4.8	22.0	22.0	14.0	29.5	RU-12-6	SRU-12-6
12	8	6.4	22.0	22.0	16.0	30.2	RU-12-8	SRU-12-8
12	10	7.9	22.0	22.0	19.0	31.0	RU-12-10	SRU-12-10
16	10	7.9	24.0	25.0	19.0	31.8	RU-16-10	SRU-16-10
16	12	9.5	24.0	25.0	22.0	31.8	RU-16-12	SRU-16-12
18	12	9.5	27	30.0	22.0	33.3	RU-18-12	SRU-18-12
25	18	15.1	35	38.0	30.0	38.6	RU-25-18	SRU-25-18
25	20	15.9	35	38.0	32.0	39.9	RU-25-20	SRU-25-20

## BULKHEAD UNION

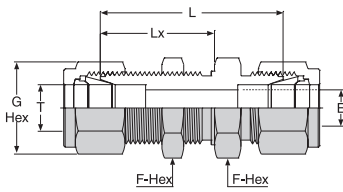
For fractional Tubes connection



TUBE OD	DIMENSIONS IN INCH					Panel Hole	Panel Thickness	PART NO.	
T	E	F	G	L	Lx	Size	Max.	Well-Lok™	Fine-Lok™
1/8	0.09	1/2	7/16	1.50	0.97	21/64	0.50	BU-125	SBU-125
3/16	0.12	9/16	1/2	1.59	1.00	25/64	0.50	BU-187	SBU-187
1/4	0.19	5/8	9/16	1.69	1.03	29/64	0.40	BU-250	SBU-250
5/16	0.25	11/16	5/8	1.81	1.12	33/64	0.44	BU-312	SBU-312
3/8	0.28	3/4	11/16	1.87	1.16	37/64	0.44	BU-375	SBU-375
1/2	0.41	15/16	7/8	2.00	1.25	49/64	0.50	BU-500	SBU-500
5/8	0.50	1 <sup>1</sup> / <sub>16</sub>	1	2.06	1.28	57/64	0.50	BU-625	SBU-625
3/4	0.63	1 <sup>3</sup> / <sub>16</sub>	1 <sup>1</sup> / <sub>8</sub>	2.31	1.47	1 <sup>1</sup> / <sub>64</sub>	0.66	BU-750	SBU-750
1	0.88	1 <sup>5</sup> / <sub>8</sub>	1 <sup>1</sup> / <sub>2</sub>	2.81	1.78	1 <sup>21</sup> / <sub>64</sub>	0.75	BU-1000	SBU-1000

## BULKHEAD UNION

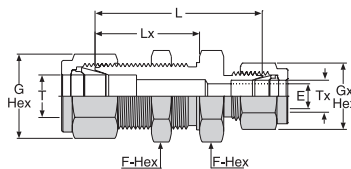
For metric Tubes connection



TUBE OD	DIMENSIONS IN MM						Panel Hole Size	Panel Thickness Max.	PART NO.	
	E	F	G	L	Lx	Well-Lok™			Fine-Lok™	
3	2.4	14	11	38.1	24.6	8.3	12.7	BU-3	SBU-3	
4	2.4	14	12	40.4	25.4	9.9	12.7	BU-4	SBU-4	
6	4.8	16	14	42.9	26.2	11.5	10.2	BU-6	SBU-6	
8	6.4	18	16	46.0	28.6	13.1	11.2	BU-8	SBU-8	
10	7.9	22	19	48.5	29.4	16.3	11.2	BU-10	SBU-10	
12	9.5	24	22	50.8	31.8	19.5	12.7	BU-12	SBU-12	
14	11.1	27	25	52.3	32.5	22.5	12.7	BU-14	SBU-14	
15	11.9	27	25	52.3	32.5	22.8	12.7	BU-15	SBU-15	
16	12.7	27	25	52.3	32.5	22.8	12.7	BU-16	SBU-16	
18	15.1	30	30	58.7	37.3	26.0	16.8	BU-18	SBU-18	
20	15.9	35	32	64.3	42.9	29.0	19.0	BU-20	SBU-20	
25	21.8	40	38	71.4	42.2	33.8	24.0	BU-25	SBU-25	

## BULKHEAD REDUCING UNION

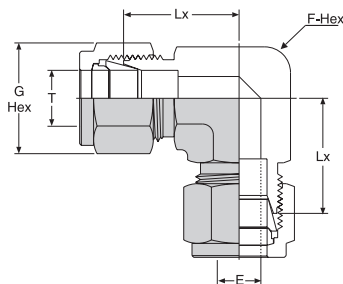
For fractional Tubes connection



TUBE OD	TUBE OD	DIMENSIONS IN INCH						Panel Hole Size	Panel Thickness Max.	PART NO.	
		E	F	G	Gx	L	Lx			Well-Lok™	Fine-Lok™
1/4	1/8	0.09	5/8	9/16	7/16	1.62	1.03	29/64	0.40	RBU-250-125	SRBU-250-125
3/8	1/4	0.19	3/4	11/16	9/16	1.81	1.16	37/64	0.44	RBU-375-250	SRBU-375-250
1/2	1/4	0.19	15/16	7/8	9/16	1.94	1.25	49/64	0.50	RBU-500-250	SRBU-500-250

## UNION ELBOW

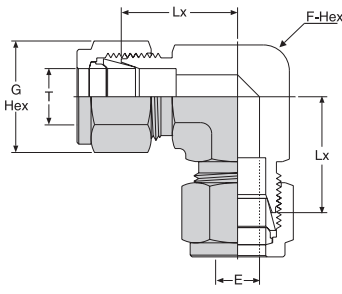
For fractional Tubes connection



TUBE OD	DIMENSIONS IN INCH					PART NO.	
	E	F	G	Lx	Well-Lok™	Fine-Lok™	
1/8	0.09	7/16	7/16	0.62	UE-125	SUE-125	
3/16	0.12	7/16	1/2	0.74	UE-187	SUE-187	
1/4	0.19	1/2	9/16	0.77	UE-250	SUE-250	
5/16	0.25	9/16	5/8	0.84	UE-312	SUE-312	
3/8	0.28	5/8	11/16	0.91	UE-375	SUE-375	
1/2	0.41	13/16	7/8	1.02	UE-500	SUE-500	
5/8	0.50	15/16	1	1.10	UE-625	SUE-625	
3/4	0.62	1 1/16	1 1/8	1.17	UE-750	SUE-750	
7/8	0.72	1 3/8	1 1/4	1.36	UE-875	SUE-875	
1	0.88	1 3/8	1 1/2	1.45	UE-1000	SUE-1000	

## UNION ELBOW

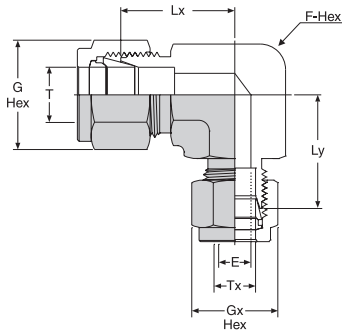
For metric Tubes connection



TUBE OD	DIMENSIONS IN MM / INCH				PART NO.	
	T	E	F	G	Lx	
3	2.4	7/16	12	15.7	Well-Lok™	Fine-Lok™
4	2.4	7/16	12	18.8	UE-3	SUE-3
6	4.8	1/2	14	19.6	UE-4	SUE-4
8	6.4	9/16	16	21.3	UE-6	SUE-6
10	7.9	11/16	19	23.9	UE-8	SUE-8
12	9.5	13/16	22	25.9	UE-10	SUE-10
14	11.1	15/16	25	27.9	UE-12	SUE-12
15	11.9	15/16	25	27.9	UE-14	SUE-14
16	12.7	15/16	25	27.9	UE-15	SUE-15
18	15.1	1 1/16	30	29.7	UE-16	SUE-16
20	15.9	1 3/8	32	34.5	UE-18	SUE-18
22	18.3	1 3/8	32	34.5	UE-20	SUE-20
25	21.8	1 3/8	38	36.8	UE-22	SUE-22
					UE-25	SUE-25

## REDUCING UNION ELBOW

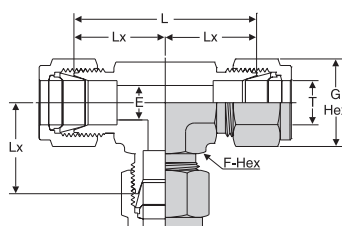
For fractional Tubes connection



TUBE OD	TUBE OD	DIMENSIONS IN INCH						PART NO.	
		T	Tx	E	F	G	Gx	Lx	Ly
3/16	1/8	0.09	7/16	1/2	7/16	0.69	0.66	RUE-187-125	SRUE-187-125
1/4	1/8	0.09	1/2	9/16	7/16	0.77	0.70	RUE-250-125	SRUE-250-125
5/16	1/8	0.09	5/8	5/8	7/16	0.88	0.78	RUE-312-125	SRUE-312-125
5/16	1/4	0.19	5/8	5/8	9/16	0.88	0.85	RUE-312-250	SRUE-312-250
3/8	1/8	0.09	5/8	11/16	7/16	0.91	0.78	RUE-375-125	SRUE-375-125
3/8	1/4	0.19	5/8	11/16	9/16	0.91	0.85	RUE-375-250	SRUE-375-250
3/8	5/16	0.25	5/8	11/16	5/8	0.91	0.88	RUE-375-312	SRUE-375-312
1/2	1/4	0.19	13/16	7/8	9/16	1.02	0.96	RUE-500-250	SRUE-500-250
1/2	5/16	0.25	13/16	7/8	5/8	1.02	0.99	RUE-500-312	SRUE-500-312
1/2	3/8	0.28	13/16	7/8	11/16	1.02	1.02	RUE-500-375	SRUE-500-375
5/8	3/8	0.28	7/8	1	11/16	1.03	1.03	RUE-625-375	SRUE-625-375
5/8	1/2	0.41	7/8	1	7/8	1.03	1.03	RUE-625-500	SRUE-625-500
3/4	1/4	0.19	1 1/16	1 1/8	9/16	1.16	1.09	RUE-750-250	SRUE-750-250
3/4	3/8	0.28	1 1/16	1 1/8	11/16	1.16	1.16	RUE-750-375	SRUE-750-375
3/4	1/2	0.41	1 1/16	1 1/8	7/8	1.16	1.16	RUE-750-500	SRUE-750-500
7/8	1/4	0.19	1 3/8	1 1/4	9/16	1.36	1.22	RUE-875-250	SRUE-875-250
1	1/2	0.41	1 5/16	1 1/2	7/8	1.45	1.22	RUE-1000-500	SRUE-1000-500
1	3/4	0.62	1 3/8	1 1/2	1 1/8	1.45	1.36	RUE-1000-750	SRUE-1000-750

## UNION TEE

For fractional Tubes connection

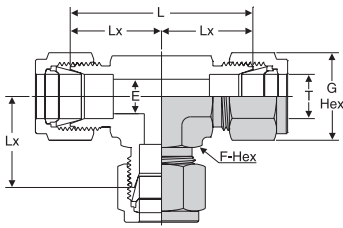


TUBE OD	DIMENSIONS IN INCH					PART NO.	
	T	E	F	G	L	Lx	Well-Lok™
1/8	0.09	3/8	7/16	1.24	0.62	UT-125	SUT-125
3/16	0.12	7/16	1/2	1.40	0.70	UT-187	SUT-187
1/4	0.19	1/2	9/16	1.54	0.77	UT-250	SUT-250
5/16	0.25	5/8	5/8	1.76	0.88	UT-312	SUT-312
3/8	0.28	5/8	11/16	1.82	0.91	UT-375	SUT-375
1/2	0.41	13/16	7/8	2.04	1.02	UT-500	SUT-500
5/8	0.50	1	1	2.26	1.13	UT-625	SUT-625
3/4	0.62	1 1/16	1 1/8	2.34	1.17	UT-750	SUT-750
7/8	0.72	1 3/8	1 1/4	2.72	1.36	UT-875	SUT-875
1	0.88	1 3/8	1 1/2	2.90	1.45	UT-1000	SUT-1000



## UNION TEE

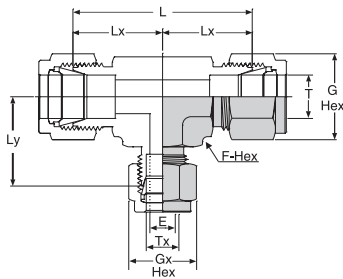
For metric Tubes connection



TUBE OD	DIMENSIONS IN MM / INCH					PART NO.	
	T	E	F	G	L	Lx	Well-Lok™
3	2.4	3/8	11	31.5	15.7	UT-3	SUT-3
4	2.4	1/2	12	37.6	18.8	UT-4	SUT-4
6	4.8	1/2	14	39.1	19.6	UT-6	SUT-6
8	6.4	5/8	16	44.7	22.4	UT-8	SUT-8
10	7.9	11/16	19	47.8	23.9	UT-10	SUT-10
12	9.5	13/16	22	51.8	25.9	UT-12	SUT-12
14	11.1	1	25	57.4	28.7	UT-14	SUT-14
15	11.9	1	25	57.4	28.7	UT-15	SUT-15
16	12.7	1	25	57.4	28.7	UT-16	SUT-16
18	15.1	1 1/16	30	59.4	29.7	UT-18	SUT-18
20	15.9	1 3/8	32	69.1	34.5	UT-20	SUT-20
22	18.3	1 3/8	32	69.1	34.5	UT-22	SUT-22
25	21.8	1 3/8	38	73.1	36.8	UT-25	SUT-25

## REDUCING UNION TEE

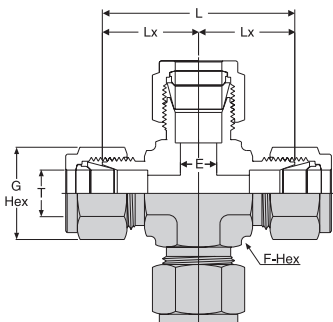
For fractional Tubes connection



TUBE OD	TUBE OD	DIMENSIONS IN INCH							PART NO.	
		T	Tx	E	F	G	Gx	L	Lx	Ly
3/8	1/4	0.19	5/8	11/16	9/16	1.82	0.91	0.85	RUT-375-250	SRUT-375-250
1/2	1/4	0.19	13/16	7/8	9/16	2.04	1.02	0.96	RUT-500-250	SRUT-500-250
1/2	3/8	0.28	13/16	7/8	11/16	2.04	1.02	1.02	RUT-500-375	SRUT-500-375
5/8	3/8	0.28	1	1	11/16	2.26	1.13	1.13	RUT-625-375	SRUT-625-375
3/4	3/8	0.28	1 1/16	1 1/8	11/16	2.34	1.17	1.17	RUT-750-375	SRUT-750-375
3/4	1/2	0.41	1 1/16	1 1/8	7/8	2.34	1.17	1.17	RUT-750-500	SRUT-750-500
1	3/8	0.28	1 3/8	1 1/2	1 1/16	2.90	1.45	1.36	RUT-1000-375	SRUT-1000-375
1	1/2	0.41	1 3/8	1 1/2	7/8	2.90	1.45	1.36	RUT-1000-500	SRUT-1000-500
1	3/4	0.62	1 3/8	1 1/2	1 1/8	2.90	1.45	1.36	RUT-1000-750	SRUT-1000-750

## UNION CROSS

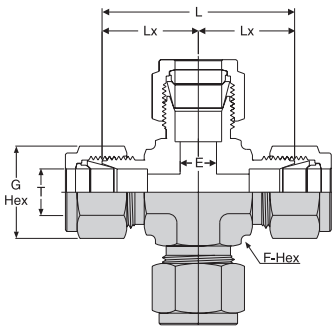
For fractional Tubes connection



TUBE OD	DIMENSIONS IN INCH					PART NO.	
	T	E	F	G	L	Lx	Well-Lok™
1/8	0.09	3/8	7/16	1.24	0.62	UC-125	SUC-125
1/4	0.19	1/2	9/16	1.54	0.77	UC-250	SUC-250
5/16	0.25	5/8	5/8	1.76	0.88	UC-312	SUC-312
3/8	0.28	5/8	11/16	1.82	0.91	UC-375	SUC-375
1/2	0.41	13/16	7/8	2.04	1.02	UC-500	SUC-500
3/4	0.62	1 1/16	1 1/8	2.34	1.17	UC-750	SUC-750
1	0.88	1 3/8	1 1/2	2.90	1.45	UC-1000	SUC-1000

## UNION CROSS

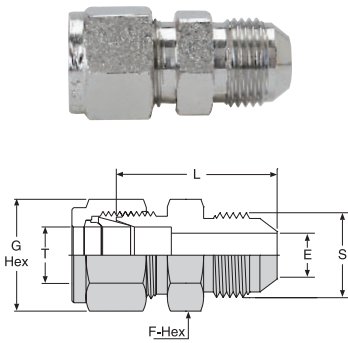
For metric Tubes connection



TUBE OD	DIMENSIONS IN MM / INCH					PART NO.		
	T	E	F	G	L	Lx	Well-Lok™	Fine-Lok™
3	2.4	3/8	11	31.5	15.7		UC-3	SUC-3
6	4.8	1/2	14	39.1	19.6		UC-6	SUC-6
8	6.4	5/8	16	44.7	22.4		UC-8	SUC-8
10	7.9	11/16	19	47.8	23.9		UC-10	SUC-10
12	9.5	13/16	22	51.8	25.9		UC-12	SUC-12
16	12.7	15/16	25	53.8	26.9		UC-16	SUC-16
18	15.1	1 1/16	30	56.4	28.2		UC-18	SUC-18
20	15.9	1 3/8	32	69.0	34.5		UC-20	SUC-20
25	21.8	1 3/8	38	73.6	36.8		UC-25	SUC-25

## AN UNION

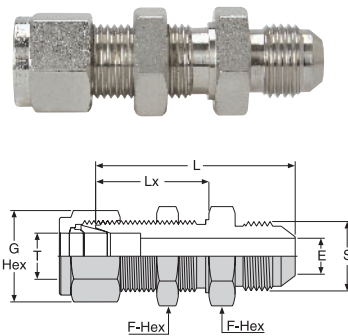
For fractional Tube to flared Tube connection



TUBE OD	AN TUBE FLARE	DIMENSIONS IN INCH					PART NO.		
		T	SIZE	E	F	G	L	S	Well-Lok™
1/8	1/8	0.06	7/16	7/16	1.01	5/16-24		NU-125-125AN	SNU-125-125AN
1/8	1/4	0.09	1/2	7/16	1.12	7/16-20		NU-125-250AN	SNU-125-250AN
1/4	1/4	0.17	1/2	9/16	1.19	7/16-20		NU-250-250AN	SNU-250-250AN
5/16	5/16	0.23	9/16	5/8	1.22	1/2-20		NU-312-312AN	SNU-312-312AN
3/8	1/4	0.17	5/8	11/16	1.27	7/16-20		NU-375-250AN	SNU-375-250AN
3/8	3/8	0.28	5/8	11/16	1.27	9/16-18		NU-375-375AN	SNU-375-375AN
1/2	1/2	0.39	13/16	7/8	1.41	3/4-16		NU-500-500AN	SNU-500-500AN
3/4	3/4	0.61	1 1/8	1 1/8	1.70	1 1/16-12		NU-750-750AN	SNU-750-750AN
1	1	0.84	1 3/8	1 1/2	1.94	1 5/16-12		NU-1000-1000AN	SNU-1000-1000AN

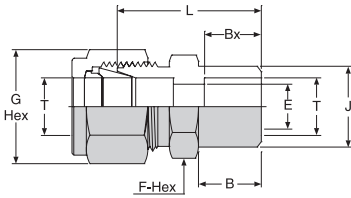
## AN BULKHEAD UNION

For fractional Tubes to flared Tube connection



TUBE OD	AN TUBE FLARE	DIMENSIONS IN INCH						Panel Hole Size	Panel Thickness Max.	PART NO.	
		T	SIZE	E	F	G	L			Lx	S
1/4	1/4	0.17	5/8	9/16	1.83	1.03	7/16-20	29/64	0.40	ABU-250-250AN	SABU-250-250AN
3/8	3/8	0.28	3/4	11/16	1.96	1.16	9/16-18	37/64	0.44	ABU-375-375AN	SABU-375-375AN
1/2	1/2	0.39	15/16	7/8	2.19	1.25	3/4-16	49/64	0.50	ABU-500-500AN	SABU-500-500AN
3/4	3/4	0.61	1 3/16	1 1/8	2.71	1.47	1 1/16-12	1 1/64	0.66	ABU-750-750AN	SABU-750-750AN
1	1	0.84	1 5/8	1 1/2	3.16	1.78	1 5/16-12	1 21/64	0.75	ABU-1000-1000AN	SABU-1000-1000AN

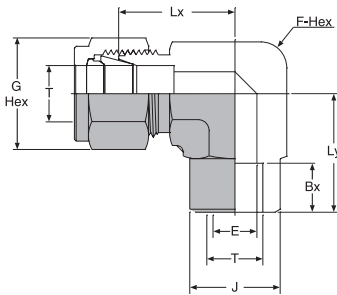
## TUBE SOCKET WELD UNION



For fractional Tubes connection

TUBE OD	DIMENSIONS IN INCH							PART NO.		
	T	B	Bx	E	F	G	L	J	Well-Lok™	Fine-Lok™
1/8	0.34	0.25	0.09	7/16	7/16	0.88	0.31		SWU-125	SSWU-125
1/4	0.41	0.31	0.19	1/2	9/16	1.03	0.44		SWU-250	SSWU-250
3/8	0.47	0.38	0.28	5/8	11/16	1.19	0.62		SWU-375	SSWU-375
1/2	0.47	0.50	0.41	13/16	7/8	1.22	0.75		SWU-500	SSWU-500
3/4	0.47	0.56	0.62	1 1/16	1 1/8	1.31	1.05		SWU-750	SSWU-750
1	0.56	0.75	0.88	1 3/8	1 1/2	1.59	1.31		SWU-1000	SSWU-1000

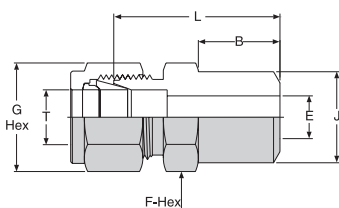
## TUBE SOCKET WELD ELBOW



For fractional Tubes connection

TUBE OD	DIMENSIONS IN INCH							PART NO.		
	T	Bx	E	F	G	Lx	Ly	J	Well-Lok™	Fine-Lok™
1/4	0.31	0.19	1/2	9/16	0.77	0.77	0.50		SWE-250	SSWE-250
3/8	0.38	0.28	5/8	11/16	0.91	0.91	0.62		SWE-375	SSWE-375
1/2	0.50	0.41	13/16	7/8	1.02	1.02	0.81		SWE-500	SSWE-500
3/4	0.56	0.62	1 1/16	1 1/8	1.17	1.17	1.06		SWE-750	SSWE-750
1	0.75	0.88	1 3/8	1 1/2	1.45	1.45	1.38		SWE-1000	SSWE-1000

## MALE PIPE WELD CONNECTOR

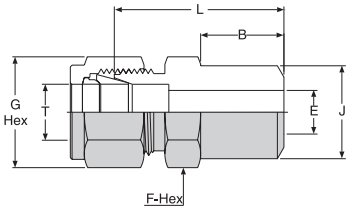


For fractional Tube to male pipe weld connection

TUBE OD	MALE PIPE WELD SIZE	DIMENSIONS IN INCH						PART NO.	
		B	E	F	G	L	J	Well-Lok™	Fine-Lok™
1/8	1/8	0.38	0.09	7/16	7/16	0.94	0.405	MWC-125-125	SMWC-125-125
3/16	1/8	0.38	0.12	7/16	1/2	0.97	0.405	MWC-187-125	SMWC-187-125
1/4	1/8	0.38	0.19	1/2	9/16	1.00	0.405	MWC-250-125	SMWC-250-125
1/4	1/4	0.56	0.19	9/16	9/16	1.20	0.540	MWC-250-250	SMWC-250-250
5/16	1/8	0.38	0.20	9/16	5/8	1.05	0.405	MWC-312-125	SMWC-312-125
5/16	1/4	0.56	0.25	9/16	5/8	1.23	0.540	MWC-312-250	SMWC-312-250
3/8	1/4	0.56	0.28	5/8	11/16	1.28	0.540	MWC-375-250	SMWC-375-250
3/8	3/8	0.56	0.28	11/16	11/16	1.28	0.675	MWC-375-375	SMWC-375-375
3/8	1/2	0.75	0.28	7/8	11/16	1.53	0.840	MWC-375-500	SMWC-375-500
3/8	3/4	0.75	0.28	1 1/16	11/16	1.59	1.050	MWC-375-750	SMWC-375-750
1/2	3/8	0.56	0.41	13/16	7/8	1.31	0.675	MWC-500-375	SMWC-500-375
1/2	1/2	0.75	0.41	7/8	7/8	1.53	0.840	MWC-500-500	SMWC-500-500
1/2	3/4	0.75	0.41	1 1/16	7/8	1.59	1.050	MWC-500-750	SMWC-500-750
5/8	1/2	0.75	0.50	15/16	1	1.53	0.840	MWC-625-500	SMWC-625-500
3/4	3/4	0.75	0.62	1 1/16	1 1/8	1.59	1.050	MWC-750-750	SMWC-750-750
1	1	0.94	0.88	1 3/8	1 1/2	1.97	1.315	MWC-1000-1000	SMWC-1000-1000

## MALE PIPE WELD CONNECTOR

For metric Tube to male pipe weld connection



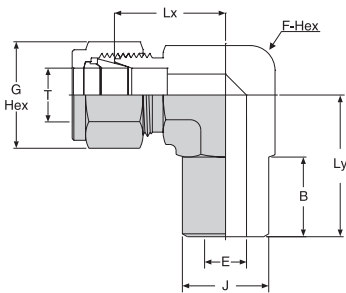
TUBE OD	MALE PIPE WELD SIZE	DIMENSIONS IN MM						PART NO.	
		B	E	F	G	L	J	Well-Lok™	Fine-Lok™
3	1/8	9.7	2.4	11	11	23.9	10.3	MWC-3-125	SMWC-3-125
4	1/8	9.7	2.4	12	12	24.6	10.3	MWC-4-125	SMWC-4-125
6	1/8	9.7	4.8	14	14	25.4	10.3	MWC-6-125	SMWC-6-125
6	1/4	14.2	4.8	14	14	30.5	13.7	MWC-6-250	SMWC-6-250
8	1/8	9.7	5.1	16	16	26.7	10.3	MWC-8-125	SMWC-8-125
8	1/4	14.2	6.4	16	16	31.2	13.7	MWC-8-250	SMWC-8-250
8	1/2	19.0	6.4	22	16	38.1	21.3	MWC-8-500	SMWC-8-500
10	1/4	14.2	7.1	18	19	33.3	13.7	MWC-10-250	SMWC-10-250
10	3/8	14.2	7.9	18	19	33.3	17.1	MWC-10-375	SMWC-10-375
10	1/2	19.0	7.9	22	19	38.9	21.3	MWC-10-500	SMWC-10-500
12	1/4	14.2	7.1	22	22	33.3	13.7	MWC-12-250	SMWC-12-250
12	3/8	14.2	9.5	22	22	33.3	17.1	MWC-12-375	SMWC-12-375
12	1/2	19.0	9.5	22	22	38.9	21.3	MWC-12-500	SMWC-12-500
14	3/8	14.2	10.3	24	25	34.0	17.1	MWC-14-375	SMWC-14-375
15	1/2	19.0	11.9	24	25	38.9	21.3	MWC-15-500	SMWC-15-500
16	1/2	19.0	12.7	24	25	38.9	21.3	MWC-16-500	SMWC-16-500
18	1/2	19.0	13.5	27	30	40.4	21.3	MWC-18-500	SMWC-18-500

## MALE PIPE WELD ELBOW

For fractional Tube to male pipe weld connection

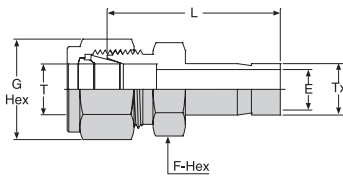
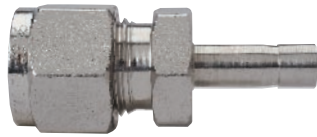


TUBE OD	MALE PIPE WELD SIZE	DIMENSIONS IN INCH							PART NO.	
		B	E	F	G	Lx	Ly	J	Well-Lok™	Fine-Lok™
1/4	1/8	0.38	0.19	1/2	9/16	0.77	0.74	0.405	MWE-250-125	SMWE-250-125
1/4	1/4	0.56	0.19	1/2	9/16	0.77	0.92	0.540	MWE-250-250	SMWE-250-250
3/8	1/4	0.56	0.28	5/8	11/16	0.91	1.00	0.540	MWE-375-250	SMWE-375-250
1/2	1/2	0.75	0.41	13/16	7/8	1.02	1.30	0.840	MWE-500-500	SMWE-500-500
3/4	3/4	0.75	0.62	1 1/16	1 1/8	1.17	1.45	1.050	MWE-750-750	SMWE-750-750



## REDUCER

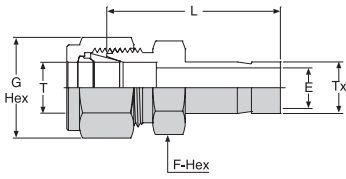
For fractional Tube to fractional ports connection



TUBE OD	TUBE OD	DIMENSIONS IN INCH				PART NO.	
T	Tx	E	F	G	L	Well-Lok™	Fine-Lok™
1/8	1/8	0.08	7/16	7/16	1.06	R-125-125	SR-125-125
1/8	3/16	0.09	7/16	7/16	1.09	R-125-187	SR-125-187
1/8	1/4	0.09	7/16	7/16	1.16	R-125-250	SR-125-250
1/8	3/8	0.09	7/16	7/16	1.22	R-125-375	SR-125-375
1/8	1/2	0.09	9/16	7/16	1.48	R-125-500	SR-125-500
3/16	1/8	0.08	7/16	1/2	1.11	R-187-125	SR-187-125
3/16	1/4	0.12	7/16	1/2	1.20	R-187-250	SR-187-250
1/4	1/8	0.08	1/2	9/16	1.16	R-250-125	SR-250-125
1/4	3/16	0.12	1/2	9/16	1.19	R-250-187	SR-250-187
1/4	1/4	0.19	1/2	9/16	1.25	R-250-250	SR-250-250
1/4	5/16	0.19	1/2	9/16	1.28	R-250-312	SR-250-312
1/4	3/8	0.19	1/2	9/16	1.31	R-250-375	SR-250-375
1/4	1/2	0.19	9/16	9/16	1.53	R-250-500	SR-250-500
1/4	5/8	0.19	11/16	9/16	1.60	R-250-625	SR-250-625
1/4	3/4	0.19	13/16	9/16	1.59	R-250-750	SR-250-750
5/16	3/8	0.25	9/16	5/8	1.36	R-312-375	SR-312-375
5/16	1/2	0.25	9/16	5/8	1.58	R-312-500	SR-312-500
3/8	1/4	0.19	5/8	11/16	1.34	R-375-250	SR-375-250
3/8	3/8	0.28	5/8	11/16	1.41	R-375-375	SR-375-375
3/8	1/2	0.28	5/8	11/16	1.62	R-375-500	SR-375-500
3/8	5/8	0.28	11/16	11/16	1.69	R-375-625	SR-375-625
3/8	3/4	0.28	13/16	11/16	1.69	R-375-750	SR-375-750
1/2	1/4	0.19	13/16	7/8	1.37	R-500-250	SR-500-250
1/2	3/8	0.28	13/16	7/8	1.44	R-500-375	SR-500-375
1/2	1/2	0.39	13/16	7/8	1.66	R-500-500	SR-500-500
1/2	5/8	0.41	13/16	7/8	1.72	R-500-625	SR-500-625
1/2	3/4	0.41	13/16	7/8	1.72	R-500-750	SR-500-750
1/2	1	0.41	1 1/16	7/8	1.97	R-500-1000	SR-500-1000
5/8	3/4	0.50	15/16	1	1.75	R-625-750	SR-625-750
5/8	7/8	0.50	15/16	1	1.81	R-625-875	SR-625-875
5/8	1	0.50	1 1/16	1	2.00	R-625-1000	SR-625-1000
3/4	1/2	0.39	1 1/16	1 1/8	1.75	R-750-500	SR-750-500
3/4	1	0.62	1 1/16	1 1/8	2.06	R-750-1000	SR-750-1000

## REDUCER

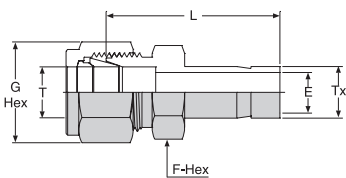
For metric Tube to metric ports connection



TUBE OD	TUBE OD	DIMENSIONS IN MM				PART NO.	
		T	Tx	E	F	G	L
3	4	2.4	12	12	28.4	R-3-4	SR-3-4
3	6	2.4	12	12	29.5	R-3-6	SR-3-6
3	10	2.4	14	12	31.8	R-3-10	SR-3-10
4	6	2.4	12	12	30.5	R-4-6	SR-4-6
6	3	1.8	14	14	39.5	R-6-3	SR-6-3
6	8	4.8	14	14	32.5	R-6-8	SR-6-8
6	10	4.8	14	14	33.3	R-6-10	SR-6-10
6	12	4.8	14	14	38.9	R-6-12	SR-6-12
6	18	4.8	22	14	42.2	R-6-18	SR-6-18
8	6	4.6	16	16	32.8	R-8-6	SR-8-6
8	10	6.4	16	16	34.5	R-8-10	SR-8-10
8	12	6.4	16	16	40.1	R-8-12	SR-8-12
10	6	4.6	18	19	34.8	R-10-6	SR-10-6
10	8	6.4	18	19	35.8	R-10-8	SR-10-8
10	12	7.9	18	19	42.2	R-10-12	SR-10-12
10	15	7.9	18	19	43.7	R-10-15	SR-10-15
10	18	7.9	22	19	43.7	R-10-18	SR-10-18
12	6	4.6	22	22	34.8	R-12-6	SR-12-6
12	8	6.4	22	22	35.8	R-12-8	SR-12-8
12	10	7.7	22	22	36.6	R-12-10	SR-12-10
12	16	9.5	22	22	43.7	R-12-16	SR-12-16
12	18	9.5	22	22	43.7	R-12-18	SR-12-18
12	20	9.5	22	22	46.0	R-12-20	SR-12-20
12	22	9.5	24	22	46.0	R-12-22	SR-12-22
12	25	9.5	27	22	52.3	R-12-25	SR-12-25
16	12	9.1	24	25	42.9	R-16-12	SR-16-12
18	12	9.1	27	30	44.5	R-18-12	SR-18-12
18	16	12.7	27	30	46.0	R-18-16	SR-18-16
18	20	15.1	27	30	47.5	R-18-20	SR-18-20
18	22	15.1	27	30	47.5	R-18-22	SR-18-22
18	25	15.1	27	30	52.3	R-18-25	SR-18-25
20	16	12.7	30	32	47.8	R-20-16	SR-20-16
20	18	13.9	30	32	47.8	R-20-18	SR-20-18
20	22	15.8	30	32	49.3	R-20-22	SR-20-22
20	25	15.8	30	32	54.1	R-20-25	SR-20-25
22	18	13.9	30	32	47.8	R-22-18	SR-22-18
22	20	15.1	30	32	49.3	R-22-20	SR-22-20
22	25	18.3	30	32	54.1	R-22-25	SR-22-25
25	18	13.9	35	38	50.8	R-25-18	SR-25-18
25	20	15.1	35	38	52.3	R-25-20	SR-25-20

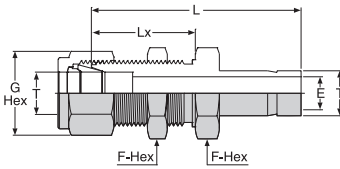
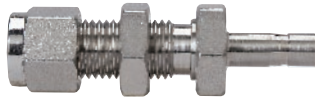
## REDUCER

For metric Tube to fractional ports connection



TUBE OD	TUBE OD	DIMENSIONS IN MM / INCH				PART NO.	
		T	Tx	E	F	G	L
3	1/8	2.0	12	12	26.9	R-3-125	SR-3-125
3	1/4	2.4	12	12	29.5	R-3-250	SR-3-250
4	1/4	2.4	12	12	30.5	R-4-250	SR-4-250
6	1/8	2.0	14	14	29.5	R-6-125	SR-6-125
6	1/4	4.9	14	14	31.8	R-6-250	SR-6-250
6	5/16	4.8	14	14	32.5	R-6-312	SR-6-312
6	3/8	4.8	14	14	33.3	R-6-375	SR-6-375
6	1/2	4.8	14	14	38.9	R-6-500	SR-6-500
8	3/8	6.4	15	16	34.5	R-8-375	SR-8-375
8	1/2	6.4	15	16	40.1	R-8-500	SR-8-500
10	3/8	7.1	18	19	36.6	R-10-375	SR-10-375
10	1/2	7.9	18	19	42.2	R-10-500	SR-10-500
12	1/2	9.5	22	22	42.2	R-12-500	SR-12-500
12	3/4	9.5	22	22	43.7	R-12-750	SR-12-750
18	3/4	15.1	27	30	46.0	R-18-750	SR-18-750
18	1	15.1	27	30	52.3	R-18-1000	SR-18-1000
25	1	20.2	35	38	57.2	R-25-1000	SR-25-1000

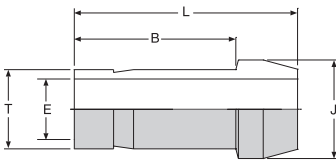
## BULKHEAD REDUCER



For fractional Tube to fractional ports connection

TUBE OD	DIMENSIONS IN INCH					Panel Hole	Panel Thickness	PART NO.	
	T	E	F	G	L			Lx	Size
1/8	0.08	1/2	7/16	1.69	0.97	21/64	0.50	BR-125	SBR-125
1/4	0.19	5/8	9/16	1.91	1.03	29/64	0.40	BR-250	SBR-250
3/8	0.28	3/4	11/16	2.12	1.16	37/64	0.44	BR-375	SBR-375
1/2	0.39	15/16	7/8	2.47	1.25	49/64	0.50	BR-500	SBR-500
5/8	0.50	1 1/16	1	2.56	1.28	57/64	0.50	BR-625	SBR-625
1	0.80	1 5/8	1 1/2	3.47	1.78	1 21/64	0.75	BR-1000	SBR-1000

## PORT CONNECTOR



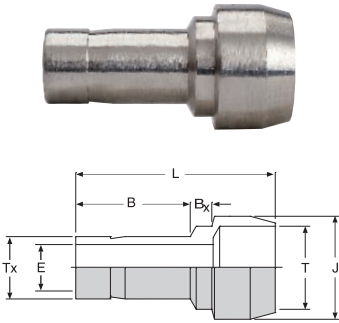
For fractional ports connection

TUBE OD	DIMENSIONS IN INCH				PART NO.	
	T	B	E	L	J	Well-Lok™
1/8	0.62	0.09	0.88	0.24	PC-125	SPC-125
1/4	0.74	0.19	0.97	0.37	PC-250	SPC-250
5/16	0.79	0.25	1.02	0.43	PC-312	SPC-312
3/8	0.80	0.30	1.03	0.50	PC-375	SPC-375
1/2	1.02	0.39	1.41	0.62	PC-500	SPC-500
3/4	1.09	0.59	1.47	0.87	PC-750	SPC-750
1	1.36	0.80	1.89	1.12	PC-1000	SPC-1000

For metric ports connection

TUBE OD	DIMENSIONS IN MM				PART NO.	
	T	B	E	L	J	Well-Lok™
3	15.7	2.1	22.2	6.0	PC-3	SPC-3
6	18.7	4.4	24.6	9.0	PC-6	SPC-6
8	20.0	6.2	25.9	11.0	PC-8	SPC-8
10	20.2	8.2	26.1	13.1	PC-10	SPC-10
12	26.0	9.1	35.8	15.0	PC-12	SPC-12
15	27.6	12.7	37.4	19.0	PC-15	SPC-15
16	27.6	12.7	37.4	19.0	PC-16	SPC-16
18	27.6	13.9	37.4	21.0	PC-18	SPC-18
20	29.2	15.1	38.9	23.0	PC-20	SPC-20
25	34.5	19.8	48.0	28.0	PC-25	SPC-25

## REDUCING PORT CONNECTOR



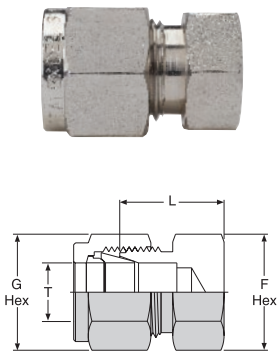
For fractional ports connection

TUBE OD	REDUCED TUBE OD	DIMENSIONS IN INCH					PART NO.	
		B	Bx	E	L	J	Well-Lok™	Fine-Lok™
1/4	1/8	0.53	0.13	0.09	0.89	0.37	RPC-250-125	SRPC-250-125
3/8	1/8	0.53	0.15	0.09	0.91	0.50	RPC-375-125	SRPC-375-125
3/8	1/4	0.62	0.13	0.19	0.98	0.50	RPC-375-250	SRPC-375-250
1/2	1/4	0.62	0.15	0.19	1.15	0.62	RPC-500-250	SRPC-500-250
1/2	3/8	0.69	0.13	0.28	1.20	0.62	RPC-500-375	SRPC-500-375
3/4	1/2	0.96	0.15	0.39	1.49	0.87	RPC-750-500	SRPC-750-500
1	1/2	0.96	0.19	0.39	1.68	1.12	RPC-1000-500	SRPC-1000-500
1	3/4	1.02	0.16	0.59	1.71	1.12	RPC-1000-750	SRPC-1000-750

For metric ports connection

TUBE OD	REDUCED TUBE OD	DIMENSIONS IN MM					PART NO.	
		B	Bx	E	L	J	Well-Lok™	Fine-Lok™
6	3	13.5	3.2	2.2	22.6	9.0	RPC-6-3	SRPC-6-3
8	6	15.7	3.1	4.6	24.7	11.0	RPC-8-6	SRPC-8-6
10	6	15.7	3.4	4.6	25.0	13.1	RPC-10-6	SRPC-10-6
10	8	17.0	3.1	6.4	26.0	13.1	RPC-10-8	SRPC-10-8
12	6	15.7	3.6	4.6	29.1	15.0	RPC-12-6	SRPC-12-6
12	8	16.8	3.4	6.4	29.8	15.0	RPC-12-8	SRPC-12-8
12	10	17.5	3.1	7.7	30.4	15.0	RPC-12-10	SRPC-12-10
16	12	23.1	3.4	9.1	26.2	19.0	RPC-16-12	SRPC-16-12

## CAP



Caps End for fractional Tube connection

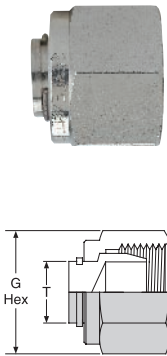
TUBE OD	DIMENSIONS IN INCH			PART NO.	
	F	G	L	Well-Lok™	Fine-Lok™
1/8	7/16	7/16	0.53	C-125	SC-125
3/16	7/16	1/2	0.58	C-187	SC-187
1/4	1/2	9/16	0.63	C-250	SC-250
5/16	9/16	5/8	0.67	C-312	SC-312
3/8	5/8	11/16	0.72	C-375	SC-375
1/2	13/16	7/8	0.75	C-500	SC-500
5/8	15/16	1	0.78	C-625	SC-625
3/4	1 <sup>1</sup> / <sub>16</sub>	1 <sup>1</sup> / <sub>8</sub>	0.84	C-750	SC-750
7/8	1 <sup>3</sup> / <sub>16</sub>	1 <sup>1</sup> / <sub>4</sub>	0.94	C-875	SC-875
1	1 <sup>3</sup> / <sub>8</sub>	1 <sup>1</sup> / <sub>2</sub>	1.03	C-1000	SC-1000

Caps End for metric Tube connection

TUBE OD	DIMENSIONS IN MM			PART NO.	
	F	G	L	Well-Lok™	Fine-Lok™
3	11	11	13.5	C-3	SC-3
4	12	12	14.7	C-4	SC-4
6	14	14	15.7	C-6	SC-6
8	16	16	17.0	C-8	SC-8
10	18	19	19.0	C-10	SC-10
12	22	22	19.0	C-12	SC-12
14	24	25	19.8	C-14	SC-14
15	24	25	19.8	C-15	SC-15
16	24	25	19.8	C-16	SC-16
18	27	30	21.3	C-18	SC-18
20	30	32	23.9	C-20	SC-20
22	30	32	23.9	C-22	SC-22
25	35	38	26.2	C-25	SC-25



## PLUG



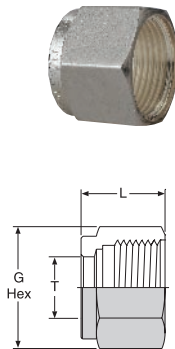
### For fractional Tube connection

TUBE OD	DIMENSIONS IN INCH	PART NO.
T	G	Well-Lok™ / Fine-Lok™
1/8	7/16	P-125
3/16	1/2	P-187
1/4	9/16	P-250
5/16	5/8	P-312
3/8	11/16	P-375
1/2	7/8	P-500
5/8	1	P-625
3/4	1 1/8	P-750
7/8	1 1/4	P-875
1	1 1/2	P-1000

### For metric Tube connection

TUBE OD	DIMENSIONS IN MM	PART NO.
T	G	Well-Lok™ / Fine-Lok™
3	11	P-3
4	12	P-4
6	14	P-6
8	16	P-8
10	19	P-10
12	22	P-12
14	25	P-14
15	25	P-15
16	25	P-16
18	30	P-18
20	32	P-20
22	32	P-22
25	38	P-25

## NUT



### For fractional Tube

TUBE OD	DIMENSIONS IN INCH		PART NO.
T	G	L	Well-Lok™ / Fine-Lok™
1/8	7/16	0.47	N-125
3/16	1/2	0.47	N-187
1/4	9/16	0.50	N-250
5/16	5/8	0.53	N-312
3/8	11/16	0.56	N-375
1/2	7/8	0.69	N-500
5/8	1	0.69	N-625
3/4	1 1/8	0.69	N-750
7/8	1 1/4	0.69	N-875
1	1 1/2	0.81	N-1000

### For metric Tube

TUBE OD	DIMENSIONS IN MM		PART NO.
T	G	L	Well-Lok™ / Fine-Lok™
3	11	11.9	N-3
4	12	11.9	N-4
6	14	12.7	N-6
8	16	13.5	N-8
10	19	15.1	N-10
12	22	17.4	N-12
14	25	17.4	N-14
15	25	17.4	N-15
16	25	17.4	N-16
18	30	17.4	N-18
20	32	17.4	N-20
22	32	17.4	N-22
25	38	20.6	N-25

## BACK FERRULE



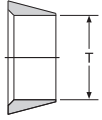
### For fractional Tube

TUBE OD (INCH)	PART NO.
1/8	BF-125
3/16	BF-187
1/4	BF-250
5/16	BF-312
3/8	BF-375
1/2	BF-500
5/8	BF-625
3/4	BF-750
7/8	BF-875
1	BF-1000

### For metric Tube

TUBE OD (MM)	PART NO.
3	BF-3
4	BF-4
6	BF-6
8	BF-8
10	BF-10
12	BF-12
14	BF-14
15	BF-15
16	BF-16
18	BF-18
20	BF-20
22	BF-22
25	BF-25

## FRONT FERRULE



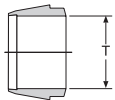
### For fractional Tube

TUBE OD (INCH)	PART NO.
1/8	FF-125
3/16	FF-187
1/4	FF-250
5/16	FF-312
3/8	FF-375
1/2	FF-500
5/8	FF-625
3/4	FF-750
7/8	FF-875
1	FF-1000

### For metric Tube

TUBE OD (MM)	PART NO.
3	FF-3
4	FF-4
6	FF-6
8	FF-8
10	FF-10
12	FF-12
14	FF-14
15	FF-15
16	FF-16
18	FF-18
20	FF-20
22	FF-22
25	FF-25

## SINGLE FERRULE



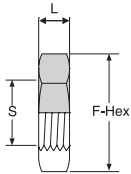
### For fractional Tube

TUBE OD (INCH)	PART NO.
1/8	SF-125
3/16	SF-187
1/4	SF-250
5/16	SF-312
3/8	SF-375
1/2	SF-500
5/8	SF-625
3/4	SF-750
7/8	SF-875
1	SF-1000

### For metric Tube

TUBE OD (MM)	PART NO.
3	SF-3
4	SF-4
6	SF-6
8	SF-8
10	SF-10
12	SF-12
14	SF-14
15	SF-15
16	SF-16
18	SF-18
20	SF-20
22	SF-22
25	SF-25

## BULKHEAD LOCK NUT



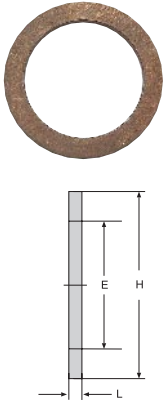
### For fractional Tube

TUBE OD SIZE	S STRAIGHT THREAD	F INCH	L INCH	PART NO.
1/8	5/16-20	1/2	0.19	BLN-125
3/16	3/8-20	9/16	0.22	BLN-187
1/4	7/16-20	5/8	0.22	BLN-250
5/16	1/2-20	11/16	0.23	BLN-312
3/8	9/16-20	3/4	0.25	BLN-375
1/2	3/4-20	15/16	0.28	BLN-500
5/8	7/8-20	1 <sup>1</sup> / <sub>16</sub>	0.31	BLN-625
3/4	1-20	1 <sup>3</sup> / <sub>16</sub>	0.34	BLN-750
7/8	1 <sup>1</sup> / <sub>8</sub> -20	1 <sup>3</sup> / <sub>8</sub>	0.38	BLN-875
1	1 <sup>5</sup> / <sub>16</sub> -20	1 <sup>5</sup> / <sub>8</sub>	0.38	BLN-1000

### For metric Tube

TUBE OD SIZE	S STRAIGHT THREAD	F MM	L MM	PART NO.
3	5/16-20	11	4.8	BLN-3
4	3/8-20	14	5.6	BLN-4
6	7/16-20	16	5.6	BLN-6
8	1/2-20	18	5.6	BLN-8
10	5/8-20	22	6.4	BLN-10
12	3/4-20	24	7.1	BLN-12
14	7/8-20	27	7.9	BLN-14
15	7/8-20	27	7.9	BLN-15
16	7/8-20	27	7.9	BLN-16
18	1-20	30	8.6	BLN-18
20	1 <sup>1</sup> / <sub>8</sub> -20	32	9.7	BLN-20
25	1 <sup>5</sup> / <sub>16</sub> -20	40	9.7	BLN-25

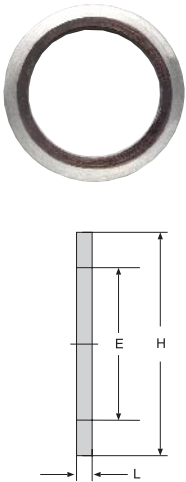
### RP FITTING GASKET



### Copper Gasket for ISO Parallel Male RS or RP Fittings

BSPP MALE THREAD SIZE	DIMENSIONS						PART NO.
	E		H		L		
	INCH	MM	INCH	MM	INCH	MM	
1/8	0.39	9.9	0.59	15.0	0.04	1.0	AGCU-2RP
1/4	0.53	13.5	0.74	18.8	0.06	1.5	AGCU-4RP
3/8	0.67	17.0	0.90	22.9	0.06	1.5	AGCU-6RP
1/2	0.84	21.3	1.06	26.9	0.06	1.5	AGCU-8RP
3/4	1.05	26.7	1.30	33.0	0.08	2.0	AGCU-12RP
1	1.32	33.5	1.57	39.9	0.08	2.0	AGCU-16RP

### RS FITTING GASKET

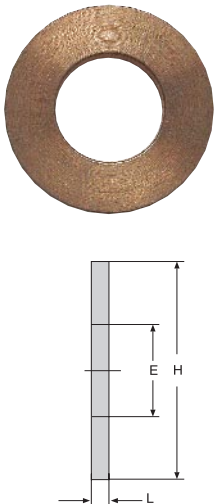


### Stainless Steel Gasket for ISO Parallel Male RS Fittings

BSPP MALE THREAD SIZE	DIMENSIONS						PART NO.
	E		H		L		
	INCH	MM	INCH	MM	INCH	MM	
1/8	0.41	10.4	0.63	16.0	0.08	2.0	AGSSG-2RS
1/4	0.54	13.7	0.81	20.6	0.08	2.0	AGSSG-4RS
3/8	0.68	17.3	0.94	23.9	0.08	2.0	AGSSG-6RS
1/2	0.85	21.6	1.13	28.7	0.10	2.5	AGSSG-8RS
3/4	1.06	26.9	1.38	35.1	0.10	2.5	AGSSG-12RS
1	1.33	33.8	1.69	42.9	0.10	2.5	AGSSG-16RS

Gasket consists of a Viton® inner ring bonded to a stainless steel outer ring.

### RG FITTING GASKET



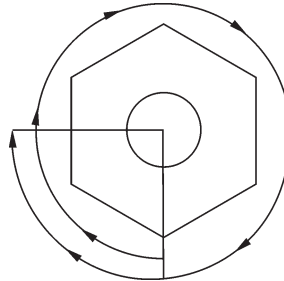
### Copper Gasket for ISO Parallel Female Gage Thread

BSPP FEMALE THREAD SIZE	DIMENSIONS						PART NO.
	E		H		L		
	INCH	MM	INCH	MM	INCH	MM	
1/4	0.30	7.6	0.42	10.7	0.07	1.8	GAG-4RG
3/8	0.34	8.6	0.56	14.2	0.08	2.0	GAG-6RG
1/2	0.36	9.1	0.70	17.8	0.10	2.5	GAG-8RG

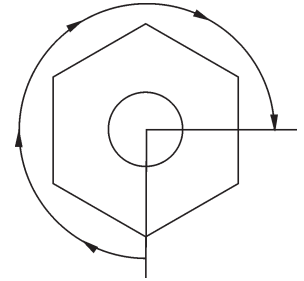
## INSTALLATION INSTRUCTIONS

### Fine-Lok™ / Well-Lok™ Tube Fittings

1. Ensure that, the end of the tube is cut square and free from burrs without causing undue chamfering of the tube end.
2. Loosen the fitting Nut.
3. Insert the tubing into the fitting assembly resting it firmly on the internal shoulder of the fittings.
4. Finger tighten the nut.
5. A) Tighten the nut with a wrench 1 ¼ turns from the finger tight position. For the tube fittings size 6mm / 1/4" and above. (see fig 1)
- B) Tighten the nut with a wrench 3/4" turn from the finger tight position for the tube fittings size 4mm / 3/16" and below. (see fig 2)



(fig 1)



(fig 2)

## SEALEXCEL RECOMMENDATION

### For high pressure application

Due to variation in the tubing diameter SEALEXCEL recommends the following instructions for safety and excellent performance of high pressure applications.

1. After insertion of tubing to the fittings assembly, tighten the nut approximately 1/8 turn with a wrench from finger type position or until the tubing does not rotate freely by hand.
2. Further tighten the nut with a wrench 1 ¼ turns to have a firm and safe grip.

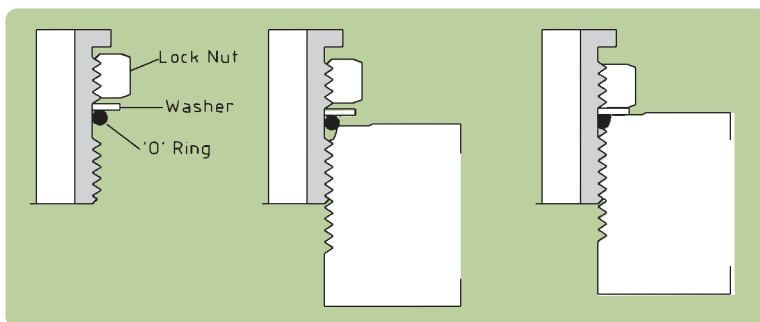
### REASSEMBLY INSTRUCTION

SEALEXCEL Tube fittings may be assembled and disassembled repeatedly. The following instructions should be carried out to reassemble the fittings.

1. Firmly insert the tubing end with the previously set ferrules into the fitting body and tighten the nut to a hand-tight condition.
2. With a wrench, tighten the nut until a sharp condition rise in torque is felt, then simply snug with wrench.

## SAE / MS STRAIGHT THREAD AND ISO PARALLEL THREAD POSITIONABLE

### Elbows and Tees Installation procedure



1. Lubricate the 'O' -ring with lubricant compatible with the system fluid and 'O"-ring material.
2. Turn the fittings into the straight thread port until the metal back-up washer contacts the face of the port.
3. Position the fittings by backing it out, (not more than one turn).
4. Hold the fittings in position and tighten the lock nut until the washer contacts the face of the port.

### NOTE :

1. SAE/MS positionable elbows and tees are compatible with SAE J1926 ports.
2. ISO parallel thread positionable elbows and tees are compatible with female ports having BS 2779 threads.

## Face Seal 'O' Ring Fittings :

### Installation Procedure

The 'O'-ring requires a smooth, flat seating surface, this surface must be perpendicular to the axis of the threads.

1. Turn the 'O'-ring seal fitting in the port until finger tight.
2. The squeezing effect on the 'O'-ring can be felt during the last 1/4 turn.

### SAE SPECIFICATION

SEALEXCEL SAE Straight thread 'O'-ring fittings are designed and manufactured to meet SAE standard as follows

1. Male or External fittings End (Dimension: SAE J514)
2. Straight thread SAE J475 (Equivalent to ANSI B1.1 or ISO R725)
3. Female or Internal Straight thread (Port : SAE J1926)

SEALEXCEL Tube fittings with SAE Ends Straight thread

SAE Straight Thread 'O'-Ring seal fittings are designed and manufactured to SAE standards defined below for use in many different application including hydraulics and natural gas vehicles.

SAE Straight thread fittings are supplied with viton 'O'-rings.

### FITTINGS AVAILABLE INCLUDES

Connectors, Positionable SAE Elbows and Tees and SAE reducers.

### Thread and 'O'ring Sizes

Nominal Tube OD.	Port Size	Thread size	'O'-ring Size no.
1/8	125	5/16-24	902
1/4	250	7/16-20	904
3/8	375	9/16-18	906
1/2	500	3/4-16	908
5/8	625	7/8-14	910
3/4	750	1 1/16-12	912
1	1000	1 5/16-12	916

### PORT CONNECTOR INSTALLATION PROCEDURE

1. Remove nut and ferrules from the first of two Fine-Lok™ / Well-Lok™ ports to be connected.
2. Slip nut only on port connector over machined ferrule.
3. Insert connector into first port and snug up nut by hand. Tighten the nut with wrench 1/4 turn only.  
For 1/8, 3/16, 3mm and 4mm tube fittings, tighten the nut 1/8 turn from finger tight position, subsequently connections are made snugging the nut by hand.
4. Insert other end of port connector into Fine-Lok™/Well-Lok™ port 2, and tighten the nut 1¼.  
For 1/8, 3/16, 3mm and 4mm tube fittings tighten the nut 3/4 turn from finger tight position.

### PLUG INSTALLATION PROCEDURE

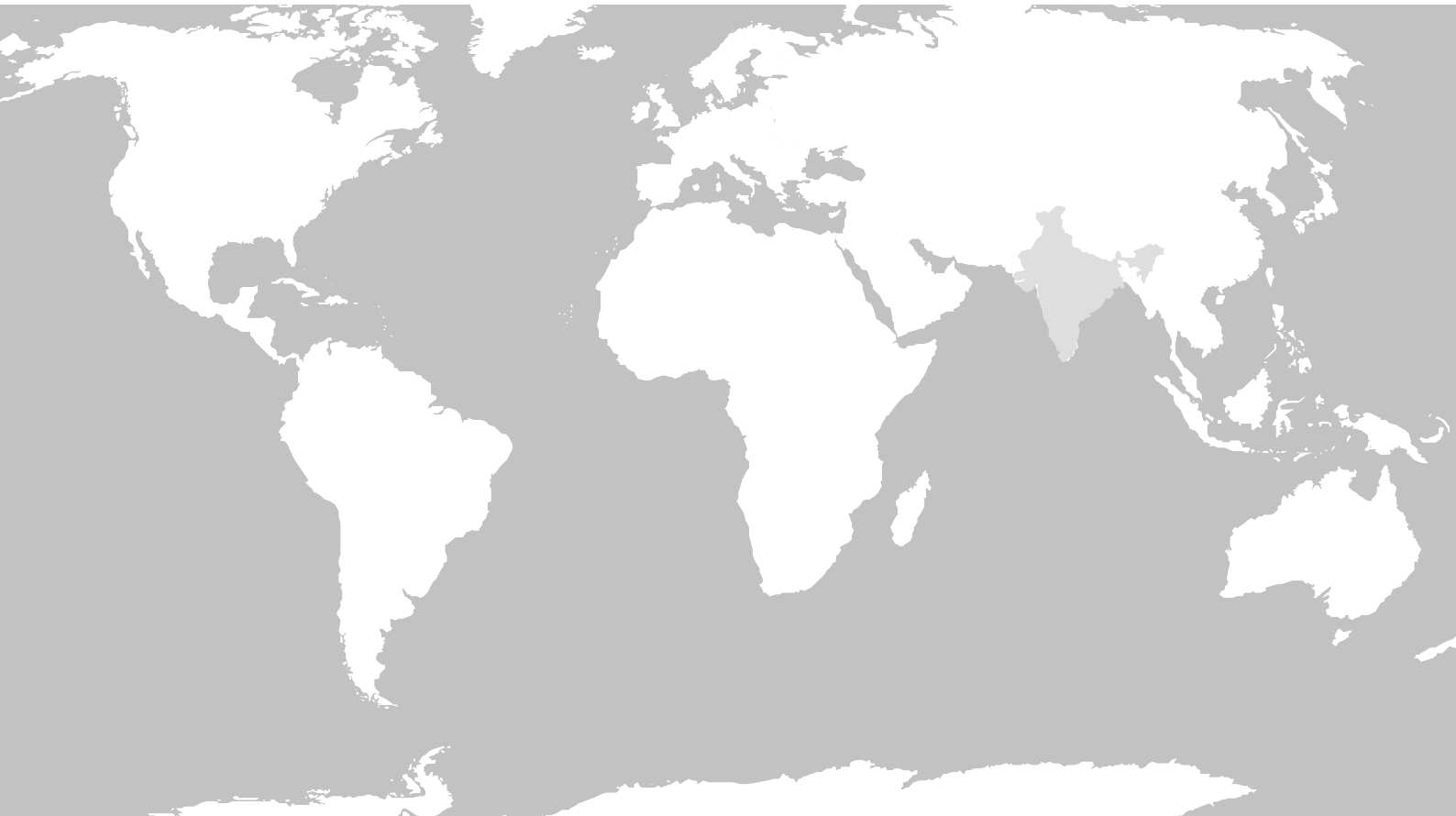
For 6mm, 1/4 and above size Tube Fittings, tighten the plug with wrench 1/4 turn from finger tight position.

For 1/8, 3/16, 3mm and 4mm tube fittings, tighten the plug with wrench 1/8 turn only.

Make subsequent connection by tightening slightly with wrench after snugging the nut by hand.

---

[www.sealexcel.com](http://www.sealexcel.com)



**SEALEXCEL® (INDIA) PVT. LTD.**

Registered office & Unit I :

56 & 61, Veena Dalvai Industrial Estate, S. V. Road, Oshiwara,  
Jogeshwari (W), Mumbai - 400 102. INDIA

Ph. : (+91-22) 2678 6885, 2678 8534, 6694 4124

Fax : (+91-22) 2678 1426, 6694 4126

E-mail : [sales@sealexcel.com](mailto:sales@sealexcel.com)

Unit II :

Plot no. 300/1&2, at Post - Mahi, Via Chhapi, Pirojpura - Mahi Road,  
Taluka - Vadgam, Dist - Banaskantha, North - Gujarat,  
Pin - 385 210. INDIA

Catalogue No. 0406/TF